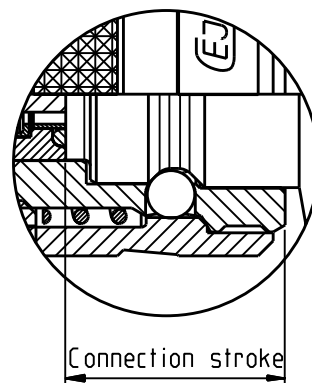
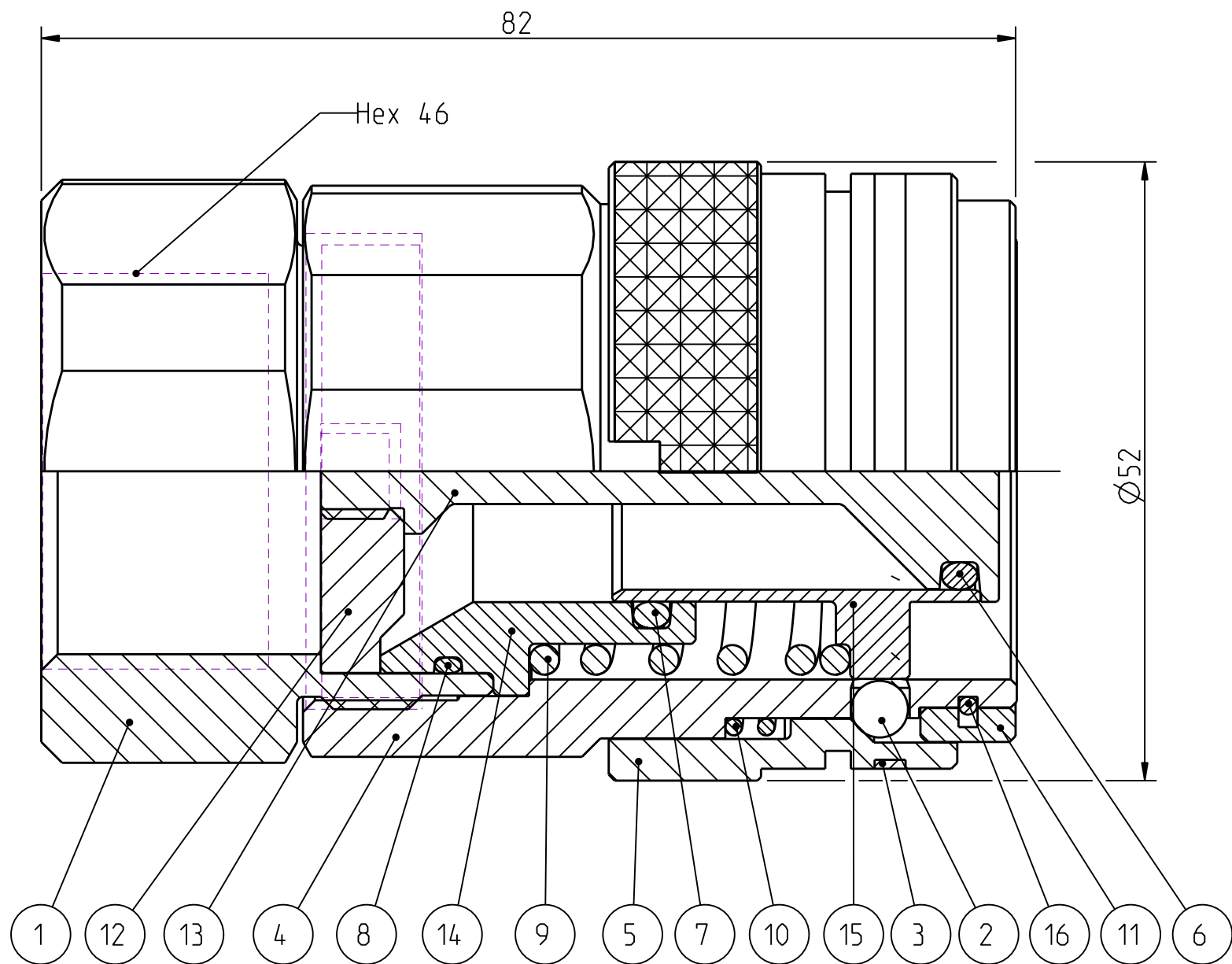


Allo rättigheter förbehålls.  
All rights reserved.  
Alle Rechte vorbehalten.

Diese Zeichnung darf weder ganz noch teilweise ohne unsere ausdrückliche Genehmigung kopiert oder auf andere Weise vervielfältigt werden. Zuwiderhandlungen werden gerichtlich verfolgt.

Denna handling för ej utan vårt medgivande delges annan, kopieras eller eljest överbörigen användas. Överrättelse härunder beivras med stöd av gällande lag. This document must not be copied, either completely or in part, without permission. Any infringement will have legal consequences.



16	1	Wire coil	Stainless steel
15	1	Valve sleeve	Acid-proof steel
14	1	Valve seat	Acid-proof steel
13	1	Valve pin	Acid-proof steel
12	1	Stop for valve	Acid-proof steel
11	1	Stop flange	Acid-proof steel
10	1	Spring	Stainless steel
9	1	Spring	Acid-proof steel
8	1	O-ring	FPM
7	1	O-ring	FPM
6	1	O-ring	FPM
5	1	Locking sleeve	Acid proof steel
4	1	Coupling body	Acid-proof steel
3	1	Checking ring	Plastic
2	12	Ball	Stainless steel
1	1	Adaptor	Acid-proof steel
Detalj Item	Antal Quant.	Benämning Description	Material Material

Product no: 10\_777\_1210

Max working pressure:	20	bar connected
	20	bar disconnected
Min burst pressure:	80	bar connected
	80	bar disconnected
Sealing material:	FPM	
Temperatur range:	-5 °C - 205 °C	
Nominal flow diameter, DN:	19 mm	
Connection	G 1" Female	
Connection stroke:	19.8 mm	

**CEJN**

Skala Scale	2:1	Ritad Drawn	LJo	Kontr. Checked	-	Godk. Appr.	-	ÄM nr. Alt. no.	-	Dat. Date	060609
Ritning nr./Drawing No.								Utg./Issue			
Assembly drawing								50_777_1210		AA	