

**ORDERING CODE**

| Series/<br>Name | Size<br>Displacement | Flange | Pressure<br>setting | Rotation | Seals | Combined<br>pumps | Pressure<br>controls |
|-----------------|----------------------|--------|---------------------|----------|-------|-------------------|----------------------|
| <b>01 PHP</b>   |                      |        | <b>H</b>            | <b>R</b> |       |                   |                      |

| Code           | Size | Displacement<br>(cm <sup>3</sup> /rev) |
|----------------|------|--|
| <b>05 - 16</b> | 05   | 16                                     |
| <b>1 - 20</b>  | 1    | 20                                     |
| <b>1 - 25</b>  | 1    | 25                                     |
| <b>1 - 32</b>  | 1    | 32                                     |
| <b>2 - 40</b>  | 2    | 40                                     |
| <b>2 - 50</b>  | 2    | 50                                     |
| <b>2 - 63</b>  | 2    | 63                                     |
| <b>3-80</b>    | 3    | 80                                     |
| <b>3-100</b>   | 3    | 100                                    |
| <b>3-120</b>   | 3    | 120                                    |

| Code                              | Flange                  | Thread                 |
|-----------------------------------|-------------------------|------------------------|
| <b>F</b>                          | UNI ISO3019/2 - 4 fori  | GAS UNI ISO 228/1; SAE |
| <b>FGR2</b><br>(only for size 05) | As for gear pump size 2 | GAS UNI ISO 228/1      |

| Code     | Pressure setting   |
|----------|--|
| <b>H</b> | 20 – 250 bar (for size 05, 1 e 2)<br>40 – 250 bar (for size 3-80 and 3-100)<br>40 – 210 bar (for size 3-120) |

| Code     | Rotation Direction            |
|----------|-------------------------------|
| <b>R</b> | Right (viewed from shaft end) |

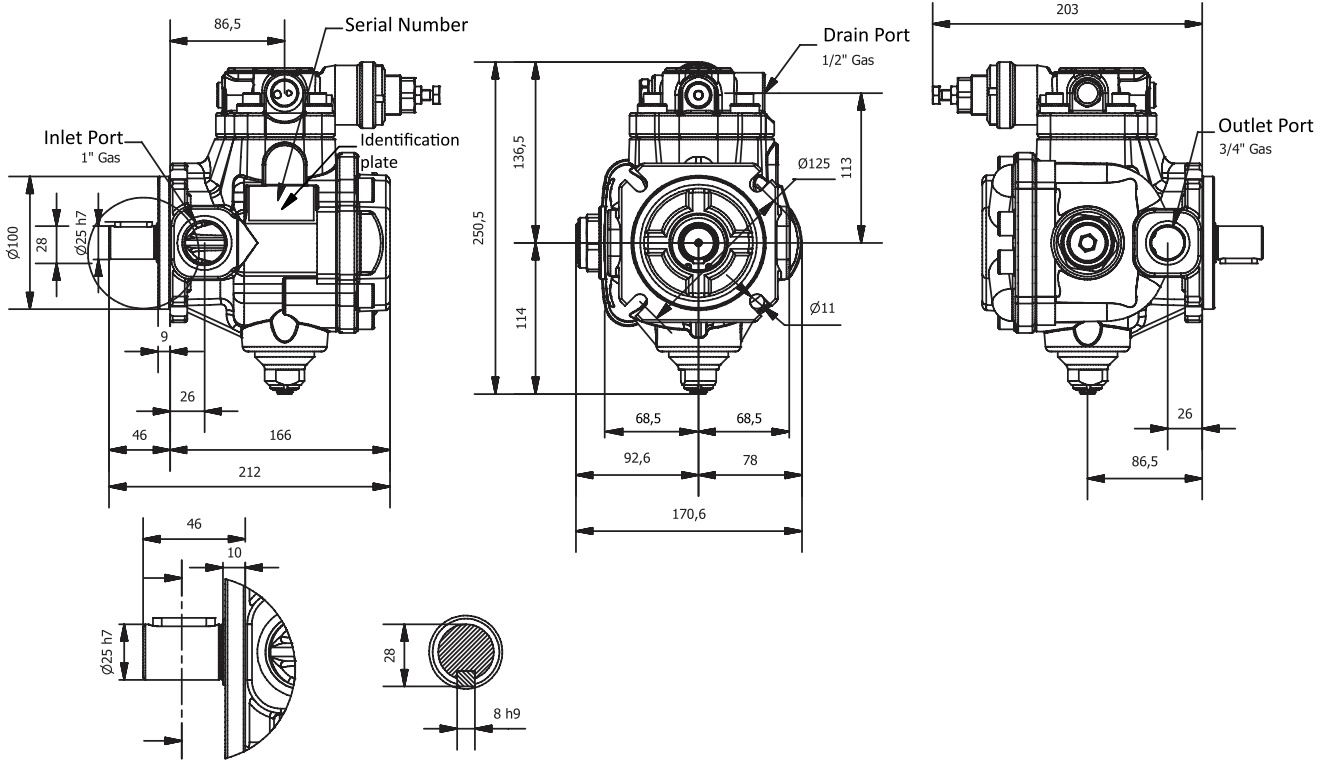
| Code     | Seals       |
|----------|-------------|
| <b>M</b> | NBR         |
| <b>E</b> | FPM (viton) |

| Code     | Combined pumps   |
|----------|--|
| <b>/</b> | Omit for single pump   |
| <b>A</b> | Primary pump and/or intermediate pump<br>(available only for F flange) |

| Code           | Pressure controls   |
|----------------|---|
| <b>/</b>       | Omit for single stage pressure compensator                                |
| <b>PCS002</b>  | Pump with remote pressure control   |
| <b>PCS003</b>  | Pump with two-stage pressure control, one with fixed setting              |
| <b>PCS004</b>  | Pump with two-stage pressure control, both adjustable                     |
| <b>PCS005</b>  | Pump with proportional pressure control                                   |
| <b>PCLS001</b> | LOAD SENSING pump with single-stage pressure compensator                  |
| <b>PCLS002</b> | LOAD SENSING pump with remote pressure control                            |
| <b>PCLS003</b> | LOAD SENSING pump with two-stage pressure control, one with fixed setting |
| <b>PCLS004</b> | LOAD SENSING pump with two adjustable pressure stages                     |
| <b>PCLS005</b> | LOAD SENSING pump with proportional pressure control                      |

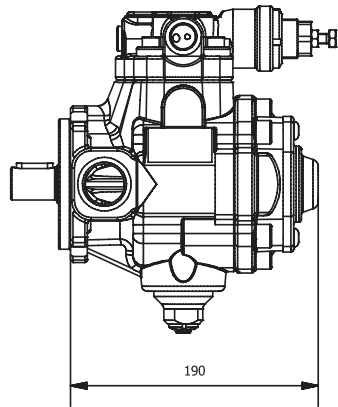
For further information regarding pressure control solutions, please see pages 14 ÷ 23

**01 PHP 1 20-25-32 F**



**OVERALL DIMENSIONS**

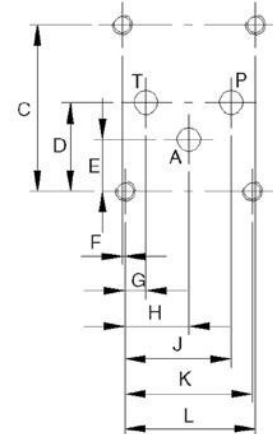
**THRU-DRIVE SHAFT (-A)**



For combined pump solutions, please see pages 24-27

Mounting surface ISO 4401-03 (CETOP 03) for pressure/flow-rate controls PCS 003/004 and PCLS 003/004 (pages 16, 17, 21, 22)

| Designation | Dimension |
|-------------|-----------|
| C           | 40.5      |
| D           | 21.5      |
| E           | 12.7      |
| F           | 0.75      |
| G           | 5.1       |
| H           | 15.5      |
| J           | 25.9      |
| K           | 31        |
| L           | 31.75     |



Note: "A" port is available only for PCS004 and PCLS004 controls