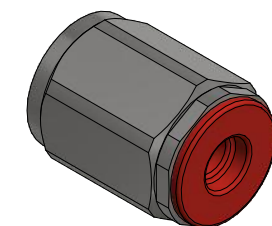
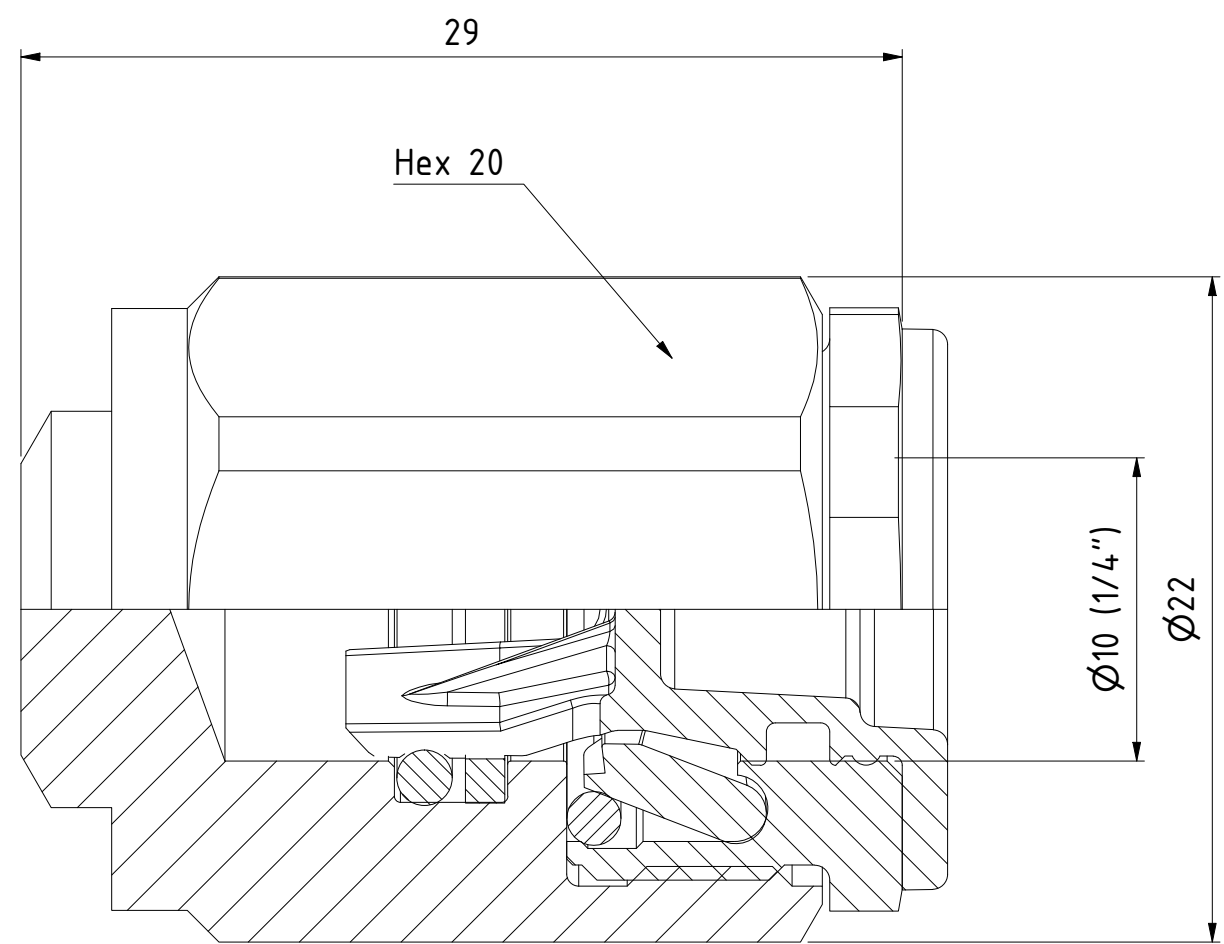


This document must not be copied, either completely or in part, without permission. Any infringement will have legal consequences ©



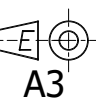
1 : 1



Product No. 148110400	
Nominal flow ϕ DN:	mm
Connection Stroke:	mm
Max WP Connected:	350 bar
Max WP Disconnected:	bar
Min BP Connected:	1400 bar
Min BP Disconnected:	bar
Temperature range:	-30°C - +100°C
Connection:	
Sealing material:	NBR
Hexagon:	20

Item	Qty	Description	Material	Part Number
5	1	Back part	Steel, plated	095129150
4	1	Semi assembly		095129010
3	1	Protection plug	LDPE	095121010
2	1	O-ring	NBR	095122804
1	1	Back-up ring	Hytrel	095125600

	Scale	4 : 1	Drawn	JOER	Checked		Appr.		ECO	000874	Date	2021-03-08	
	Assembly Drawing 508110400								Drawing No.				
										Issue	AC	Sheet	1 / (1)



A3