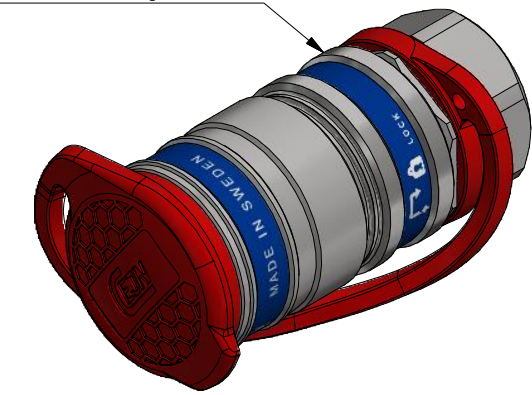


Quick action safety lock

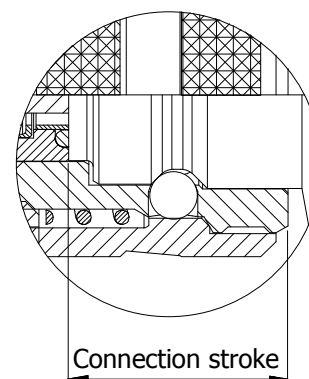


1 : 1

20	1	Dust Cap	TPE, red
19	1	Sleeve	Steel, Zn 8 silver
18	2	Ball	Stainless steel
17	1	Back part	Steel, Zn 8 silver
16	9	Ball	Stainless steel
15	1	Spring	Steel
14	1	Locking sleeve	Hard. steel, Zn 8 Silver
13	1	Lip seal	NBR
12	1	O-ring	NBR
11	1	O-ring	NBR
10	1	Spring housing	Steel
9	1	O-ring sleeve	Steel
8	1	Expansion sleeve	Plastic
7	1	Washer	Steel
6	1	Spring	Steel
5	1	Seal	NBR
4	1	Valve	Steel, FeZn5
3	1	O-ring	NBR
2	1	Valve seat	Steel
1	1	Front part	Steel, Zn 8 silver
Item	Qty	Description	Material

Product No. 101151402

Nominal flow \varnothing DN: 2.5 mm
 Connection Stroke: 18.3 mm
 Max WP Connected: 1000 bar
 Max WP Disconnected: 1000 bar
 Min BP Connected: 2600 bar
 Min BP Disconnected: 2600 bar
 Temperature range: -30°C - +100°C
 Connection: 1/4" NPT Fem
 Sealing material: NBR
 Hexagon: 24



Connection stroke



Scale	5:2	Drawn	CABAO	Checked	FR	Appr.	JE	ECO	12061	Date	2018-04-16
Drawing No.								Issue	Sheet		
Assembly Drawing								AD	1 / (1)	501151402	