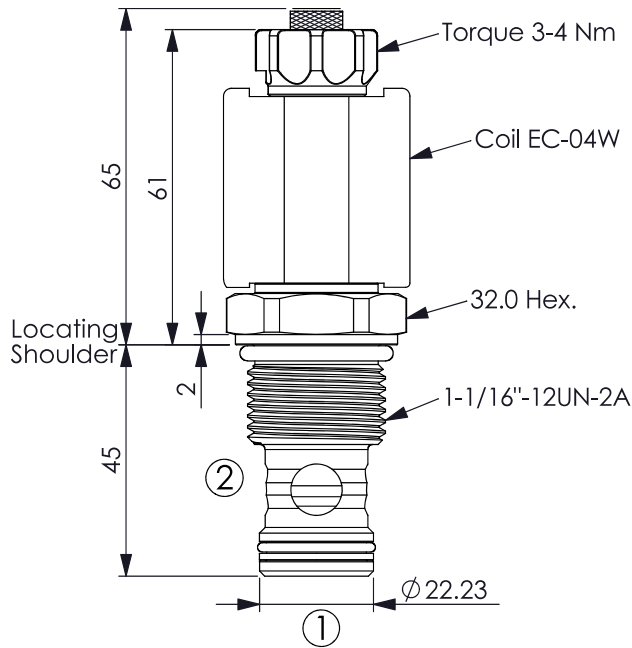
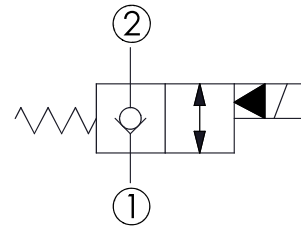


SOLENOID OPERATED VALVES (Poppet 2-Way Normally-Closed Cartridge Style)

Ordering Code: **EP-12W-X-Y-Z-05**



UNIT:mm



TECHNICAL DATA

Max.Operating pressure: 350 bar

Rated flow: 150 l/min

Cavity-Tooling: 12W-2

Installation torque: 54-66 Nm

Weight: 0.23 kg

Fluids-Temperatures: -40 to 120 °C

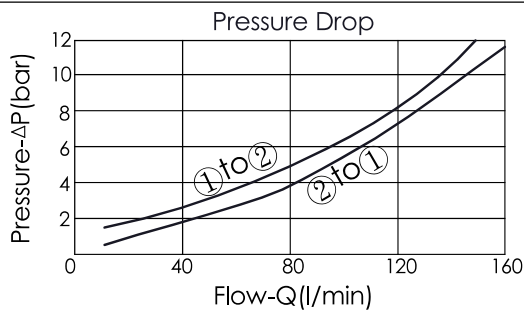
Internal Leakage: 0.15 cc/minute
(3 drops/minute) max. at 350 bar

Filtration: 25 µm nominal or better

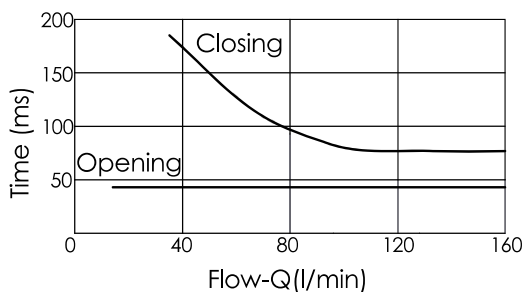
Minimun Voltage Required:
90 % of nominal

Coils must be ordered separately

Mounting Position: unrestricted



The curve is only for reference.
Please kindly contact Winner if you need detailed information.



X	STRUCTURE	
2A	2 Ports · 20 Watt. Coil	
	∅ 12.7 mm tube	

Y	OPERATION	
05	Normally-Closed Reverse Flow Energized	

Z	OPTIONS	
N	Non-adjustable	
M	Screw-out Knob Style	