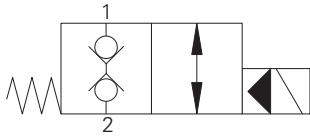


SBV1-12-C - Solenoid Valve

2-way, 2-position, normally closed, bi-directional, poppet type solenoid valve
 114 L/min (30 USgpm) • 210 bar (3000 psi)

A



Operation

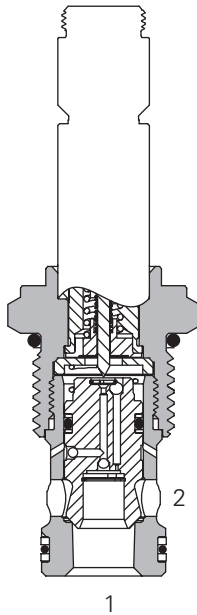
In the de-energized position the valve is blocked in both directions.

When the solenoid is energized the pilot poppet is released from the seat allowing the main poppet to open. A series of internal check valves allows full flow in both directions.

Features

Hardened and ground working parts. Lapped seat for low leakage. IP69K Tough coil compatibility. Continuously rated. Compact design with low pressure drop.

Sectional View



Performance Data

Ratings and Specifications

Performance data is typical with fluid at 21,8 cST (105 SUS) and 49°C (120°F)

Typical application pressure (all ports)	210 bar (3000 psi)
Cartridge fatigue pressure (infinite life)	210 bar (3000 psi)
Rated flow	114 L/min (30 USgpm)
Internal leakage, port 1 to port 2 and port 2 to port 1	5 drops/min, max @ 210 bar (3000 psi)
Temperature range	-40° to 100°C (-40° to 212°F)
Coil duty	Continuous from 85% to 110% of nominal voltage
Cavity	C-12-2 or C-12-2U Add "U" after number if undercut is required. If undercut is not specified, expect 10 psi @ 15 USgpm and 20 psi @ 30 USgpm higher pressure drop.
Fluids	All general purpose hydraulic fluids such as: MIL-H-5606, SAE 10, SAE 20 etc.
Filtration	Cleanliness code 18/16/13
Housing material (standard)	Aluminum or steel
Weight cartridge only	0,27 kg (0.59 lbs)
Seal kit	02-165889 (Buna-N), 02-165888 (Viton)

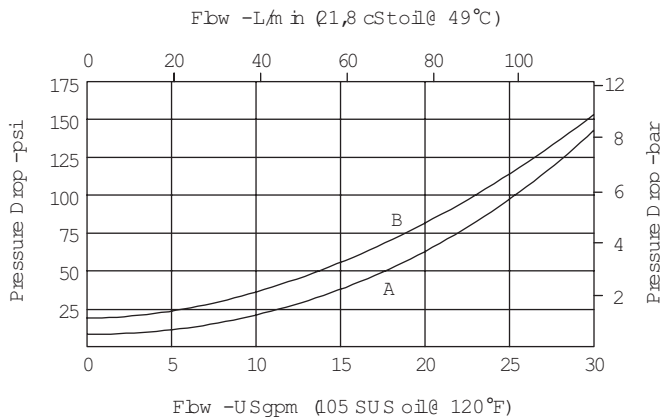
Viton is a registered trademark of E.I. DuPont

Description

This is a 2-way 2-position, bi-directional, pilot operated, normally closed poppet type screw in cartridge valve. The valve is ideal for isolating and holding actuators in position.

Pressure Drop

Cartridge only



A - Port 1 to port 2
 B - Port 2 to port 1

Where measurements are critical request certified drawings. We reserve the right to change specifications without notice.

SBV1-12-C - Solenoid Valve

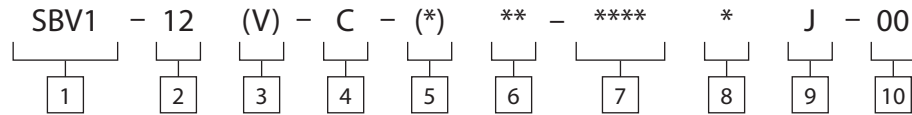
SBV1-12-C-0-00

2-way, 2-position, normally closed, bi-directional, poppet type solenoid valve
 114 L/min (30 USgpm) • 210 bar (3000 psi)

ER1121315001

A

Model Code



- 1** Function
SBV1 - Solenoid bi-directional valve

- 2** Size
12 - 12 size

- 3** Seal Material
Blank - Buna-N
V - Viton

- 4** Style
C - Normally closed

- 5** Valve Housing Material
Blank - Cartridge only
A - Aluminum (standard)
S - Steel

Code	Port Size	Housing Number	
		Aluminium	Steel
0 Cartridge only			
4G	1/2" BSPP	02-161118	02-172062
4GU	1/2" BSPP	02-161116	02-172512
6G	3/4" BSPP	02-161117	02-169665
6GU	3/4" BSPP	02-161115	02-162922
10T	SAE 10	02-160640	02-169744
10TU	SAE 10	02-160641	02-169817
12T	SAE 12	02-160644	02-169782
12TU	SAE 12	02-160645	02-169790

See section J for housing details.

- 7** Voltage Rating
00 - No coil
12D - 12VDC
24D - 24VDC
36D - 36VDC
24A - 24VAC
115A - 115VAC
230A - 230VAC
12B - 12VDC/w diode*
24B - 24VDC/w diode*
*Optional arc suppression diode.

- 8** Connector Types
Blank - No coil
G - ISO 4400 DIN 43650
Q - Spade terminals
W - Flying lead
N - Deutsch (DC only)
Y - Amp JR (DC only)
D - Metripack 150 male (DC only)
J - Metripack 280 male (DC only)

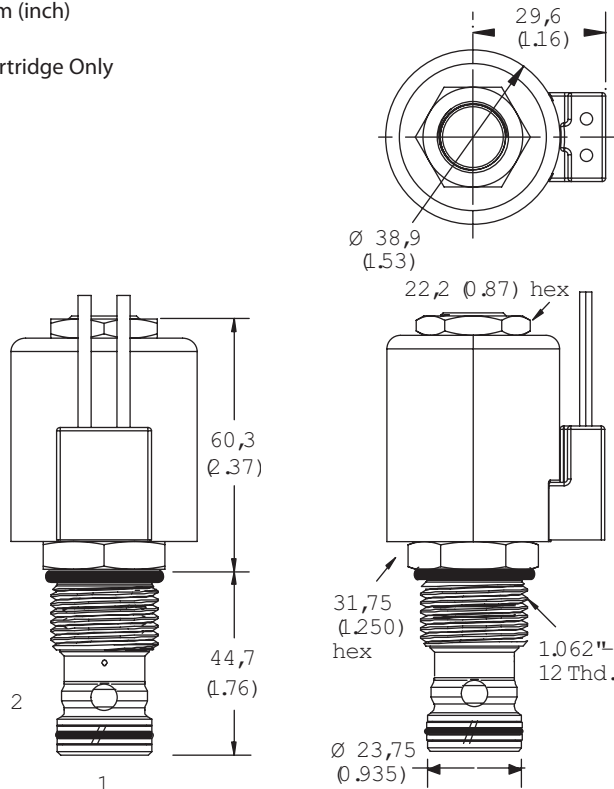
- 9** Coil Series
J - 10 series, 23 W
Forcoilpartnumbersanddimensions see section C.

- 10** Special Features
00 - None
(Only required if valve has special features, omitted if "00.")

Dimensions

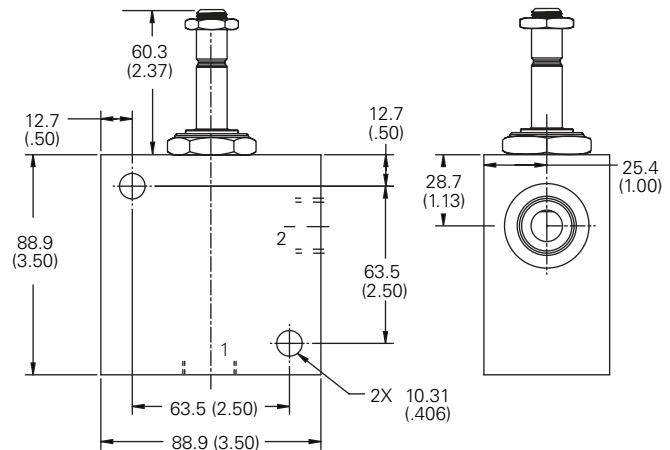
mm (inch)

Cartridge Only



Torque cartridge in housing
 A - 81-95 Nm (60-70 ft lbs)
 S - 102-115 Nm (75-85 ft lbs)
 Installation Drawing (Aluminum)

Note: When solenoid valve is ordered as cartridge only, coil nut is included.



WARNING
 Maintain 5-8 Nm (4-6 ft lbs) maximum torque on valve tube nut. Over tightening may cause valve failure.

WARNING
 Aluminum housings can be used for pressures up to 210 bar (3000 psi). Steel housings must be used for operating pressures above 210 bar (3000 psi).