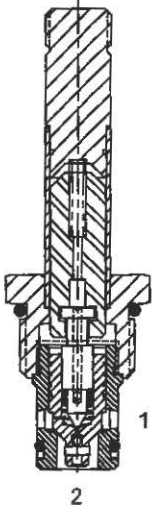


SOLENOID OPERATED DIRECTIONAL CONTROLS



DE-S2B Pilot Operated Poppet, 2 Way Normally Closed



DESCRIPTION

10 size, 7/8-14 thread, "Delta" series, solenoid operated, 2 way normally closed, pilot operated poppet valve with reverse flow energized and de-energized.

OPERATION

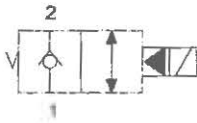
When de-energized the DE-S2B acts as a check valve, allowing flow to pass from (2) to (1), while blocking flow from (1) to (2). When energized the valve opens allowing flow to pass from (1) to (2).

OPERATION OF MANUAL OVERRIDE OPTION: To override, turn the manual override screw counter-clockwise. To release turn the manual override screw clockwise.

FEATURES

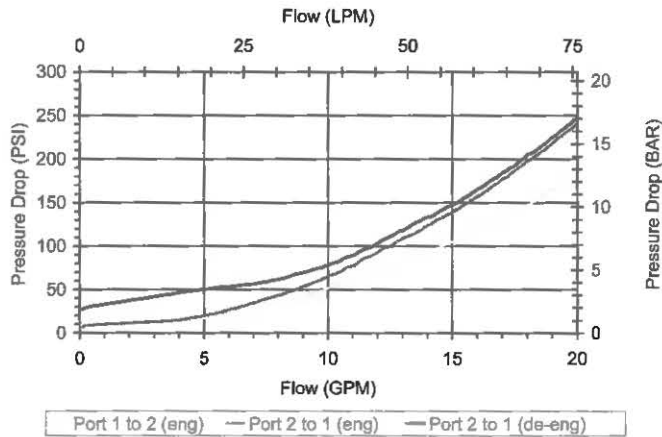
- Hardened parts for long life.
- Efficient wet-armature construction.
- Cartridges are voltage interchangeable.
- Manual override option.
- Industry common cavity.
- Unitized, molded coil design.
- Continuous duty rated solenoid.
- Optional coil voltages and terminations.
- Optional "I" Coil: Weatherproof, Thermal Shock, Immersion Safe.

HYDRAULIC SYMBOL



PERFORMANCE

Actual Test Data (Cartridge Only)



VALVE SPECIFICATIONS

Nominal Flow	15 GPM (57 LPM)
Rated Operating Pressure	3500 PSI (241 bar)
Typical Internal Leakage (150 SSU)	0-5 drops/min
Viscosity Range	36 to 3000 SSU (3 to 647 cSt)
Filtration	ISO 18/16/13
Media Operating Temperature Range	-40° to 250° F (-40° to 120° C)
Weight	.27 lbs. (.12 kg)
Operating Fluid Media	General Purpose Hydraulic Fluid
Cartridge Torque Requirements	30 ft-lbs (40.6 Nm)
Coil Nut Torque Requirements	4-6 ft-lbs (5.4-8.1 Nm)
Cavity	DELTA 2W
Cavity Tools kit (form tool, reamer, tap)	40500000
Seal Kit	21191200

WARNING: The specifications/application data shown in our catalogs and data sheets is intended only as a general guide for the product described (herein). Any specific application should not be undertaken without independent study, evaluation, and testing for suitability.

by **TECNORD**

Phone +39 059 510001

Fax +39 059 511357

E-mail: tecnord@tecnord.com

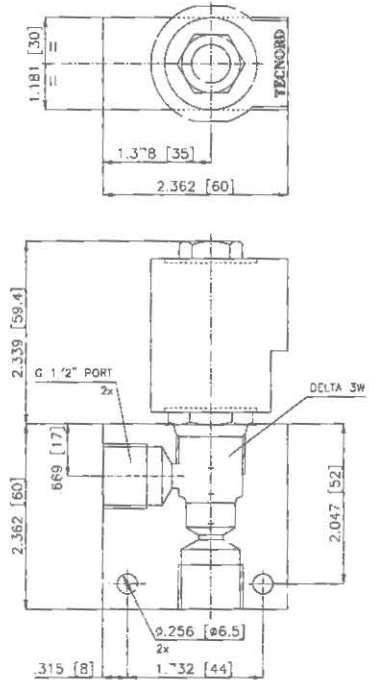
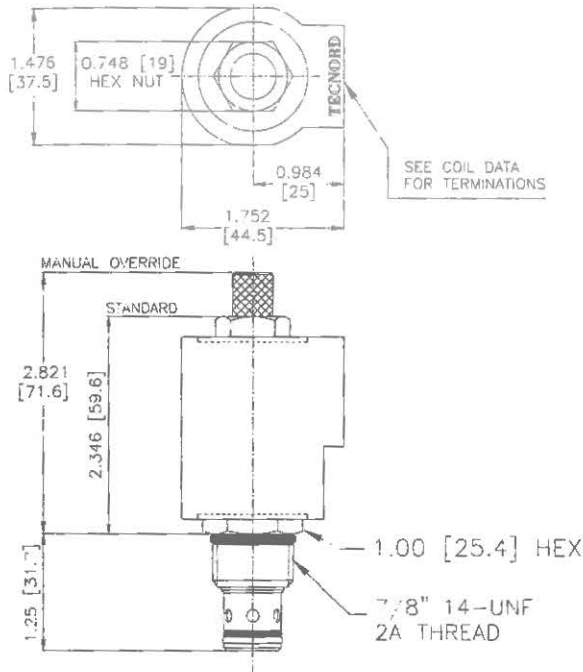
a Delta Power Co.

Page 28

SOLENOID OPERATED DIRECTIONAL CONTROLS



DIMENSIONS



ORDERING INFORMATION

D-DE-S2B-00-HVX24

DE-S2B

OPTIONS	
Buna Standard	00
Viton Standard	V0
Buna, Override	0M
Viton, Override	VM
Buna & Screen	A0
Viton & Screen	W0
Buna, Screen, Override	B3
Viton, Screen, Override	V3

BODIES	
Blank	
N	1/2" BSP Ports
S	#8 SAE Ports

VOLTAGE (*other voltages available on request)	
12	12 VDC
24	24 VDC
22	220 VAC without internal rectifier

Note: Use screen only if flow direction is from (1) to (2).

"V" COIL TERMINATION
(All DC Except as Noted)

DL Double Lead
(* several types of termination can be attached on leads on request)

HC DIN 43650 (Hirschman) - (AC & DC)
DI Deutsch - Integral DT04-2P

IMMERSION PROOF "D" TYPE
"I" Coil AMP Superseal - Integral
"I" Coil Deutsch - Integral DT04-2P
"I" Coil AMP Jr. Timer - Integral
"I" Coil Metri-Pack - Integral

Approximate Coil Weight: .56 lbs (.25 kg.)

WARNING: The specifications/application data shown in our catalogs and data sheets is intended only as a general guide for the product described (herein). Any specific application should not be undertaken without independent study, evaluation, and testing for suitability.

by **TECNORD**
a Delta Power Co.

Phone +39 059 510001 Fax +39 059 511357

E-mail: tecnord@tecnord.com

Standard "V" Type Coils

Features :

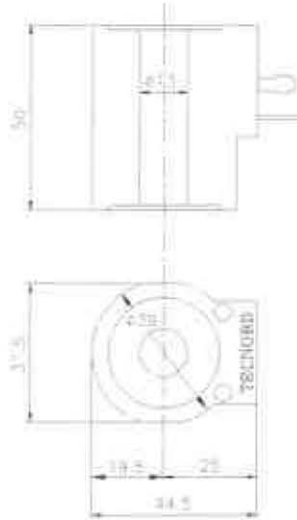
One piece water resistant encapsulated design.

Numerous terminals and voltages available

Internal arc suppression diodes available on request

Color identification : black

Note : for coil selection in extreme conditions, please look at our immersion proof "I" coils.



Ordering information



1 MODEL	2 TERMINATION	3 VOLTAGE
V (coil type)	DL - Double lead HC - DIN 43650 (Hirschmann) DI - Deutsch – Integral DT04-2P	12 -12 VDC 24 - 24 VDC 22 - 220 VAC without internal rectifier For HC termination only

WARNING: The specifications/application data shown in our catalogs and data sheets is intended only as a general guide for the product described (herein). Any specific application should not be undertaken without independent study, evaluation, and testing for suitability.

Standard "V" Type Coils

Coil model numbers

Termination	VDL	VHC	VDI
Description	Double lead	Hirschmann connector	Deutsch - Integral
Voltage / Amp	12 V / 2,03 A	12 V / 2,03 A	12 V / 2,03 A
Voltage / Amp	24 V / 1,01 A	24 V / 1,01 A	24 V / 1,01 A
Voltage / Amp		220 VAC rectified / 0,11 A	

Specifications :

Wattage : 24 Watts nominal

Duty rating : continuous duty +/- 10% rated voltage at 120 °F (49 °C) ambient.

Minimum current for actuation: 80% of rated current at room temperature.

Magnet wire insulation : class H (200 °C)

Heat insulation : class H (180° C)

Ambient temperature range : - 30 °C - + 60 ° C

Protection degree : IP 65

Lead wires : 600 Volt rating, with strain relief

Encapsulating material : glass filled polyester, resistant to moisture, caustic solutions, fungus and vibration.

AC coils do not include the rectifier, supply voltage must be externally rectified

Approximate coil weight : .56 lbs / .25 Kg

WARNING: The specifications/application data shown in our catalogs and data sheets is intended only as a general guide for the product described (herein). Any specific application should not be undertaken without independent study, evaluation, and testing for suitability.

by **TECNORD**

a Delta Power Co.

Phone +39 059 510001

Fax +39 059 511357

Page 233

E-mail: tecnord@tecnord.com