

**MC-S3A Direct Acting Spool, 3 Way 2 Position**

**DESCRIPTION**

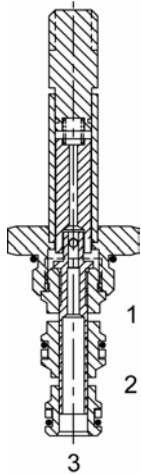
7 size, 5/8-18 thread, "Mini" series, solenoid operated, 3 way 2 position, spool valve.

**OPERATION**

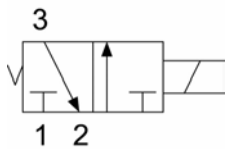
When de-energized the MC-S3A blocks flow at (1) and allows flow from (3) to (2). When energized the valve allows flow from (1) to (3) and blocks flow at (2).

**FEATURES**

- Hardened parts for long life.
- Efficient wet-armature construction.
- Cartridges are voltage interchangeable.
- Industry common cavity.
- Unitized, molded coil design.
- Continuous duty rated solenoid.
- Optional coil voltages and terminations.



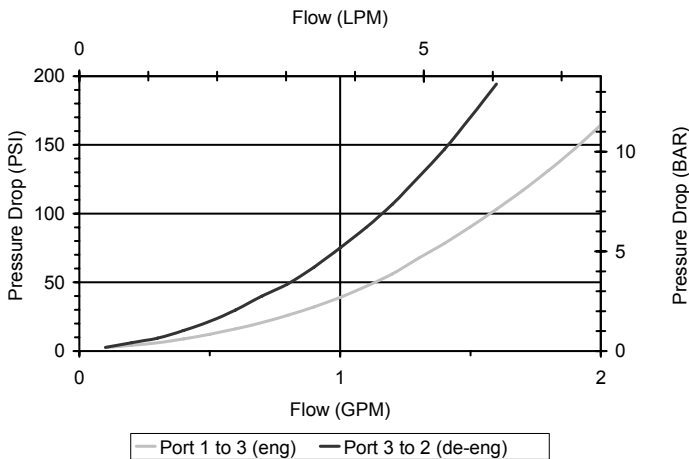
**HYDRAULIC SYMBOL**



Operational shift limit 1 GPM (3.8 LPM) from (1) to (3) at 3000 PSI and 2 GPM (7.6 LPM) from (3) to (2) with no load. For shifted flow performance consult chart. For higher pressures or flows SEE HC-S3A

**PERFORMANCE**

Actual Test Data (Cartridge Only)

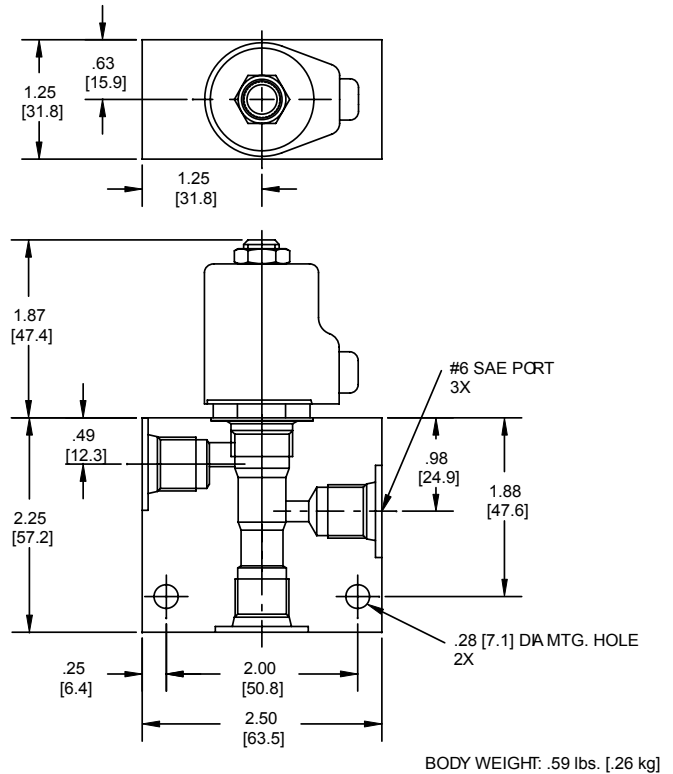
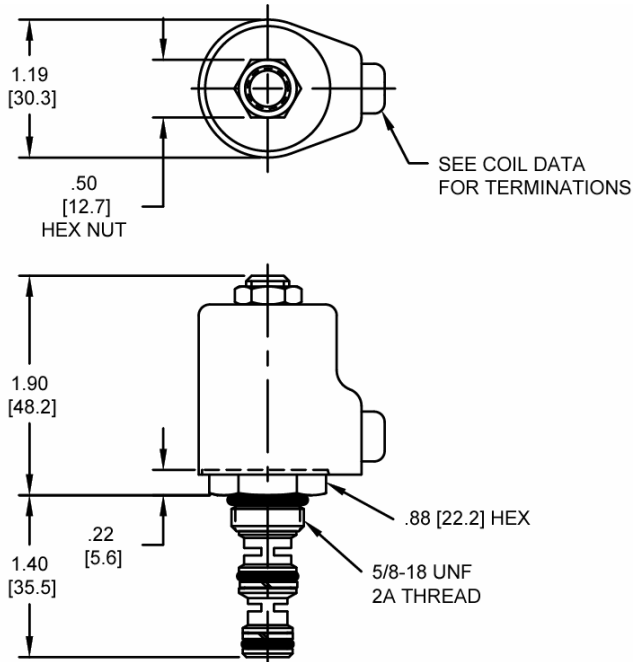


**VALVE SPECIFICATIONS**

Nominal Flow	1 GPM (3.8 LPM) from (1) to (3) 2 GPM (7.6 LPM) from (3) to (2)
Rated Operating Pressure	3000 PSI (207 bar)
Typical Internal Leakage (150 SSU)	5 cu in/min (82 ml/min)
Viscosity Range	36 to 3000 SSU (3 to 647 cSt)
Filtration	ISO 18/16/13
Media Operating Temperature Range	-40° to 250° F (-40° to 120° C)
Weight	.14 lbs. (.06 kg)
Operating Fluid Media	General Purpose Hydraulic Fluid
Cartridge Torque Requirements	15 ft-lbs (20.3 Nm)
Coil Nut Torque Requirements	3-5 ft-lbs (4.1-6.8 Nm)
Cavity	<a href="#">MINI 3W</a>
Cavity Form Tool (Finishing)	40500004
Seal Kit	21191004

**WARNING:** The specifications/application data shown in our catalogs and data sheets are intended only as a general guide for the product described (herein). Any specific application should not be undertaken without independent study, evaluation, and testing for suitability.

**DIMENSIONS**



**ORDERING INFORMATION**

**MC-S3A** - - - -

**OPTIONS**

- Buna Standard **00**
- Viton Standard **V0**

- Blank
- N
- S

**BODIES**

- Without Body
- 1/4 NPTF Ports
- #6 SAE Ports

**VOLTAGE**

- 06** 6 VDC
- 12** 12 VDC
- 24** 24 VDC
- 36** 36 VDC
- 48** 48 VDC
- 25** 24 VAC
- 11** 120 VAC
- 22** 220 VAC
- 44** 440 VAC

**"M" COIL TERMINATION**

- (All DC Except as Noted)
- Double Lead **DL**
  - Deutsch on Leads DT04-2P **DT**
  - Metri-Pack on Leads **ML**
  - Packard on Leads **PL**
  - Weatherpack on Leads **WL**
  - Single Spade **SS**
  - Double Spade **DS**
  - DIN 43650 (Hirschman) - (AC&DC) **HC**
  - Conduit Lead - (AC Only) **CL**

Approximate Coil Weight: .30 lbs/.14 kg.

**WARNING:** The specifications/application data shown in our catalogs and data sheets are intended only as a general guide for the product described (herein). Any specific application should not be undertaken without independent study, evaluation, and testing for suitability.

Phone: (815) 397-6628

Fax: (815) 397-2526

E-mail: [delta@delta-power.com](mailto:delta@delta-power.com)