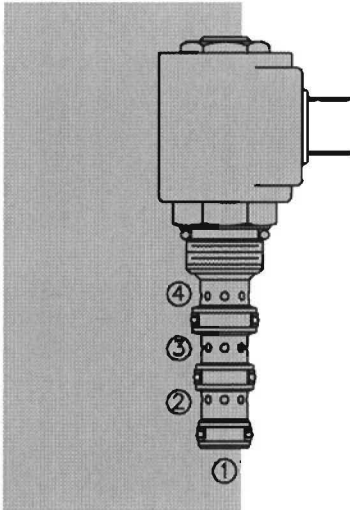


M330118

Blue rectangles are links to other catalog pages.

## SOLENOID VALVES

# SV08-43 Spool, 4-Way, 2-Position



### DESCRIPTION

A solenoid-operated, 4-way, 2-position, direct-acting, spool-type, screw-in hydraulic cartridge valve.

### OPERATION

When de-energized, the SV08-43 allows flow from ④ to ①, while blocking ③ and ②. When energized, the spool shifts to allow flow from ③ to ④ and ② to ①.

**Note:** While port ① may be fully pressurized, it is not intended for use as the inlet.

### FEATURES

- Continuous-duty rated solenoid.
- Hardened precision spool and cage for long life.
- Optional coil voltages and terminations.
- Efficient wet-armature construction.
- All ports may be fully pressurized.
- Cartridges are voltage interchangeable.
- Optional waterproof E-Coils rated up to IP69K.
- Unitized, molded coil design.
- Industry-common cavity.

### RATINGS

**Operating Pressure:** 207 bar (3000 psi)

**Flow:** See Performance Chart

**Internal Leakage:** 82 cc/minute (5 cu. in./minute) max. at 207 bar (3000 psi)

**Temperature:** -40 to 120°C with standard Buna seals

**Coil Duty Rating:** Continuous from 85% to 115% of nominal voltage

**Initial Coil Current Draw at 20°C:** Standard Coil: 1.2 amps at 12 VDC;  
0.13 amps at 115 VAC (full wave rectified).

E-Coil: 1.4 amps at 12 VDC; 0.7 amps at 24 VDC

**Minimum Pull-In Voltage:** 85% of nominal at 207 bar (3000 psi)

**Filtration:** See page 9.010.1

**Fluids:** Mineral-based or synthetics with lubricating properties at viscosities of 7.4 to 420 cSt (50 to 2000 sus); See Temperature and Oil Viscosity, page 9.060.1

**Installation:** No restrictions; See page 9.020.1

**Cavity:** VC08-4; See page 9.108.1

**Cavity Tool:** CT08-4XX; See page 8.600.1

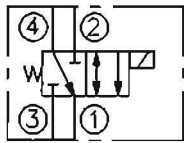
**Seal Kit:** SK08-4X-MMM; See page 8.650.1

**Coil Nut:** Part No. 7004400;

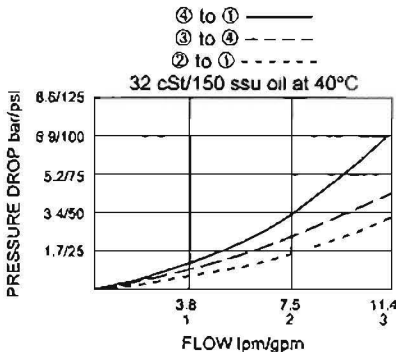
For E-coils manufactured prior to 1-1-04, see page 3.400.1 for coil nut info.

### SYMBOLS

#### USASI/ISO:

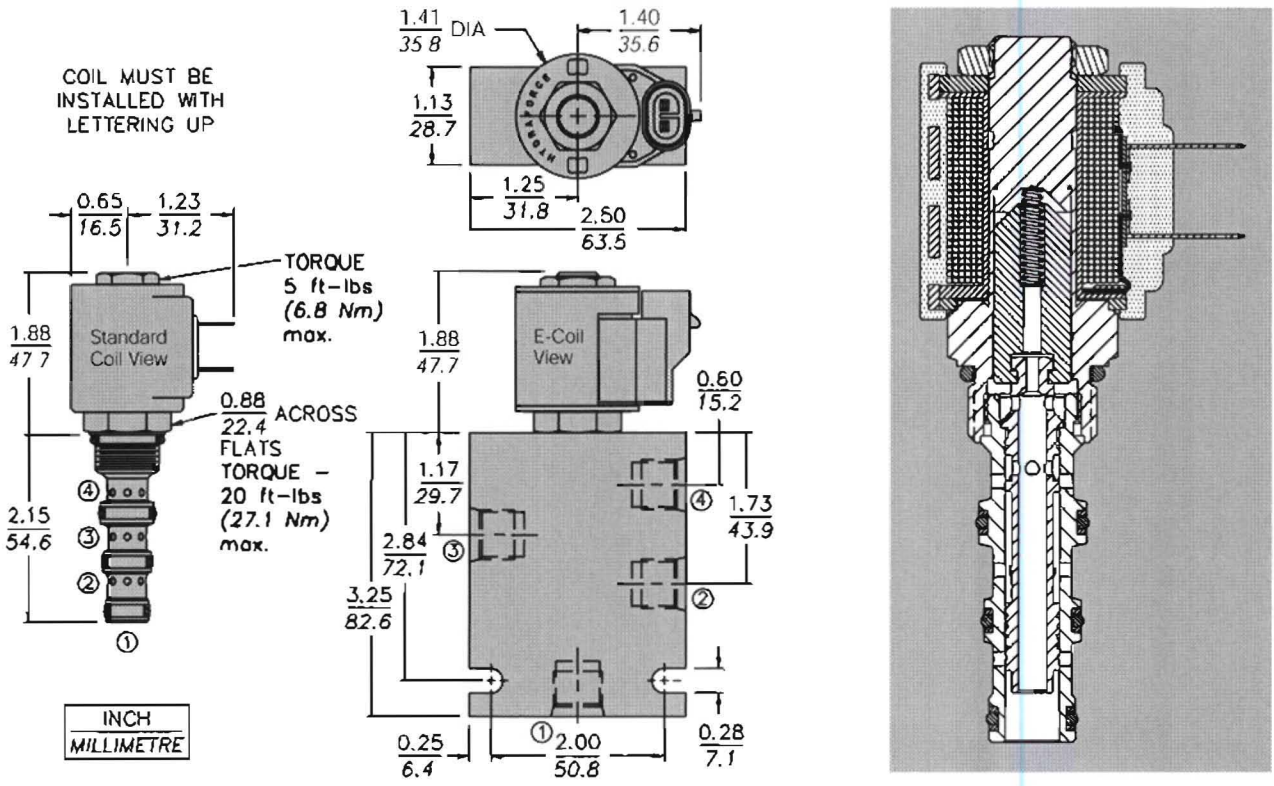


### PERFORMANCE (Cartridge Only)



**SV08-43**

**DIMENSIONS**



**MATERIALS**

**Cartridge:** Weight: 0.13 kg. (0.28 lbs.); Steel with hardened work surfaces. Zinc-plated exposed surfaces; Buna N O-rings and back-ups standard.

**Standard Ported Body:** Weight: 0.27 kg. (0.60 lbs.); Anodized high-strength 6061 T6 aluminum alloy, rated to 207 bar (3000 psi); Ductile iron bodies available; dimensions may differ. See page 8.008.1.

**Standard Coil:** Weight: 0.11 kg. (0.25 lbs.); Unitized thermoplastic encapsulated, Class H high temperature magnetwire. See page 3.200.1.

**E-Coil:** Weight: 0.14 kg. (0.3 lbs.); Perfect wound, fully encapsulated with rugged external metal shell; Rated up to IP69K with integral connectors. See page 3.400.1 for all E-Coil retrofit applications.

**TO ORDER**

**SV08-43**

<b>Option</b>	<b>Voltage</b>	<b>Termination (VDC)</b>
None (Blank)	<b>Std. Coil</b>	<b>Std. Coil</b>
	0 Less Coil**	DS Dual Spades
	10 10 VDC†	DG DIN 43650
	12 12 VDC	DL Leadwires (2)
	24 24 VDC	DL/W Leads w/Weatherpak® Connectors
	36 36 VDC	DR Deutsch DT04-2P
	48 48 VDC	
	24 24 VAC	<b>Termination (VAC)</b>
	115 115 VAC	<b>Std. Coil</b>
	230 230 VAC	AG DIN 43650
	**Includes Std. Coil Nut	AP 1/2 in. Conduit
	†DS, DW or DL terminations only.	<b>Termination (VDC)</b>
		<b>E-Coil</b>
<b>Porting</b>	<b>E-Coil</b>	ER Deutsch DT04-2P (IP69K Rated)
Cartridge Only 0	10 10 VDC	EY Metri-Pack® 150 (IP69K Rated)
SAE 6 6T	12 12 VDC	
1/4 in. BSP* 2B	20 20 VDC	
3/8 in. BSP* 3B	24 24 VDC	
*BSP Body; U.K. Mtr Only		
<b>Seals</b>		
Buna N (Std.) N		
Fluorocarbon V		

Coils with internal diode are available. Consult factory