



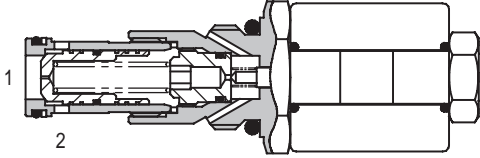
S607 / S608 & S612 / S613 Directional Control Valve

2-Way, 2-Position Poppet/Spool

100 litres/min (26 US GPM) • 250 bar (3600 PSI)

S607

**POPPET TYPE
NORMALLY OPEN
(as shown)**

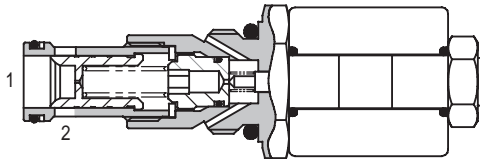


S608

**POPPET TYPE
NORMALLY CLOSED**

S612

**SPOOL TYPE
NORMALLY OPEN
(as shown)**



S613

**SPOOL TYPE
NORMALLY CLOSED**

FEATURES

- High flow capacity with reduced space requirements.
- No dynamic seals.
- Standard valve bodies and common cavities.
- One-piece encapsulated coil with minimal amperage draw.
- Oil immersed armature solenoid.
- Various coil terminals and voltages.
- Coil interchangeability with all Series S2 valves.
- Manual override, seal variations and other options available.
- Sealed coil arrangement to protect stem from corrosion.

SPECIFICATIONS

Basic Model Code	S607 Poppet Type (N.O.) S608 Poppet Type (N.C.) S612 Spool Type (N.O.) S613 Spool Type (N.C.)
Symbol	<div style="display: flex; justify-content: space-around;"> <div style="text-align: center;"> <p>S607</p> </div> <div style="text-align: center;"> <p>S608</p> </div> </div> <div style="display: flex; justify-content: space-around; margin-top: 10px;"> <div style="text-align: center;"> <p>S612</p> </div> <div style="text-align: center;"> <p>S613</p> </div> </div>
Max. Working Pressure	250 bar (3600 psi)
Flow Rating	100 litres/min (26 US GPM)
Nominal Flow (at Delta P = 5 bar (70 psi))	90 litres/min (23 US GPM)
Internal Leakage	S607/S608: 0.6 ml/min (10 dpm) S612/S613: Less than 60 ml/min 210 bar differential at 32 centistokes
Temperature Range	-20 to +120°C (-4 to +248°F)
Nominal Viscosity Range	15 to 250 centistokes
Recommended Filtration	BS5540/4 18/13 (25 micron or better)
Fluid	Compatible with most general purpose hydraulic fluids
Seal Material	Standard nitrile with PTFE back up rings
Seal Kit Number	SK390 (Nitrile) SK390V (Viton)
Mounting Position	Unrestricted
Cartridge Weight	0.25 kg (0.55 lbs)
Coil Weight	0.2 kg (0.4 lbs)
Cavity Number	A881 (See Section 17)
Torque into Cavity	60 Nm (44 lbs ft)
Electrical Data	See coil data sheet
Line Body Material	Aluminium Alloy (up to 210 bar*)

APPLICATION

To give on-off control of flows up to 100 litres/min (26 US GPM) and pressures up to 250 bar (3600 psi).

COIL INFORMATION

(See Page 11-1021)

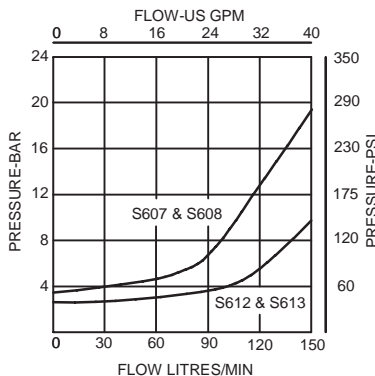
Part Number: C13-*/*/14

Voltage available: 12, 24 VDC
110, 220 VAC*

* AC coils must be used with a rectifying connector.

PRESSURE DROP v's FLOW

Viscosity = 32 cSt (150 SSU)



*For applications above 210 bar please consult our technical department or use the steel body option.

Integrated Hydraulics Ltd

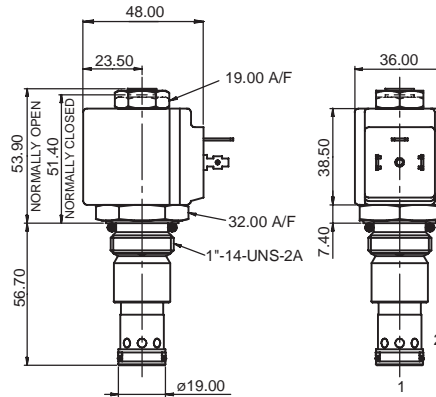
Collins Road, Heathcote Ind. Est., Warwick, CV34 6TF, UK.
Tel: +44 (0) 1926 881171 Fax: +44 (0) 1926 315729
Website: www.integratedhydraulics.com

Integrated Hydraulics Inc

7047 Spinach Drive, Mentor, Ohio 44060, USA
Tel: (440) 974 3171 Fax: (440) 974 3170
Website: www.integratedhydraulics.com

CARTRIDGE ONLY

BASIC CODE: S607 Poppet Type (N.O.) S612 Spool Type (N.O.)
S608 Poppet Type (N.C.) S613 Spool Type (N.C.)



COMPLETE VALVE 1/2" 3/4" PORTS

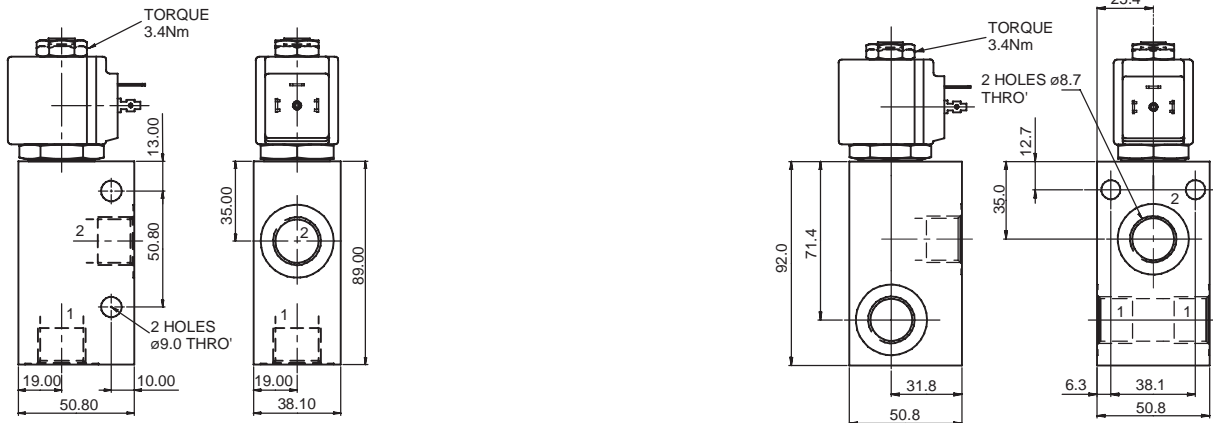
BASIC CODE: S607 Poppet Type (N.O.) S612 Spool Type (N.O.)
S608 Poppet Type (N.C.) S613 Spool Type (N.C.)

Body ONLY part numbers

BSP, aluminium	SAE, aluminium
1/2" B4851	1/2" B19403
3/4" B3954	3/4" B19404

Body ONLY part numbers

BSP, aluminium	SAE, aluminium	BSP, steel	SAE, aluminium
3/8" C1084	3/8" B10784	1/2" C593	3/4" B10742
1/2" C1044	1/2" C7140	3/4" C4917	
3/4" C1086	3/4" B10506		



Where measurements are critical request certified drawings

S613 N (ohne Spule)

ORDERING CODE EXAMPLE

S6 N H 24 4W T**

Basic Code

S607 = Poppet Type (normally open)
S608 = Poppet Type (normally closed)
S612 = Spool Type (normally open)
S613 = Spool Type (normally closed)

Seals

N = Nitrile
V = Viton

Manual Override (consult factory for availability)

3 = Push (S607 & 612)

Body Type

Omit = Standard
T = Through ported

Port Sizes

3W = 3/8" BSP 6T = 3/8" SAE
4W = 1/2" BSP 8T = 1/2" SAE
6W = 3/4" BSP 12T = 3/4" SAE

Voltage

12 = 12 VDC 110 = 110 VAC
24 = 24 VDC 220 = 220 VAC

Coil Termination

H = DIN43650
F = Flying Leads
DM = Deutsch Moulded
Other terminations available on request

We reserve the right to change specifications without notice