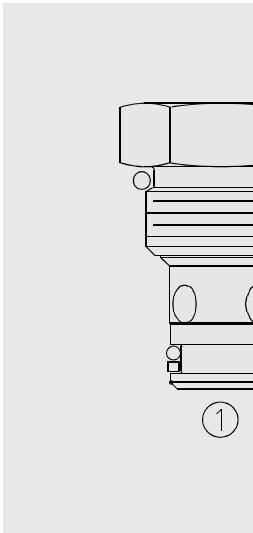


# CV08-20 Check Valve



### DESCRIPTION

A screw-in, cartridge-style, hydraulic check valve for use as a blocking or load-holding device.

### OPERATION

The CV08-20 allows flow passage from 1 to 2, while normally blocking oil flow in the opposite direction.

The cartridge has a fully guided check which is spring-biased closed until sufficient pressure is applied at 1 to open to 2.

### FEATURES

- Hardened seat for long life and low leakage.
- Optional bias springs for back-pressure application flexibility.
- Fully guided check assembly.
- Compact size.
- Fast closing and seating.

### RATINGS

**Operating Pressure:** 240 bar (3500 psi)

**Flow Rating:** See Performance Chart

**Internal Leakage:** 0.10 ml/minute (2 drops/minute) max. at 240 bar (3500 psi)

**Temperature:** -40 to 100°C (-40 to 212°F) with Buna N seals; -26 to 204°C (-15 to 400°F) with fluorocarbon seals; -54 to 107°C (-56 to 225°F) with polyurethane or urethane seals.

**Filtration:** See page 9.010.1

**Fluids:** Mineral-based or synthetics with lubricating properties at viscosities of 7.4 to 420 cSt (50 to 2000 sus); See Temperature and Oil Viscosity, page 9.060.1

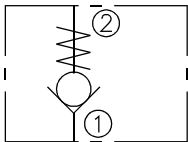
**Installation:** No restrictions; See page 9.020.1

**Cavity:** VC08-2; See page 9.108.1

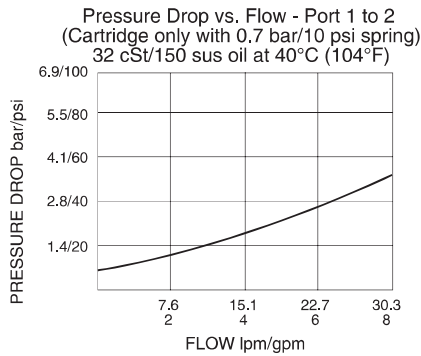
**Cavity Tool:** CT08-2XX; See page 8.600.1

**Seal Kit:** SK08-2X-X; See page 8.650.1

### ISO SYMBOL

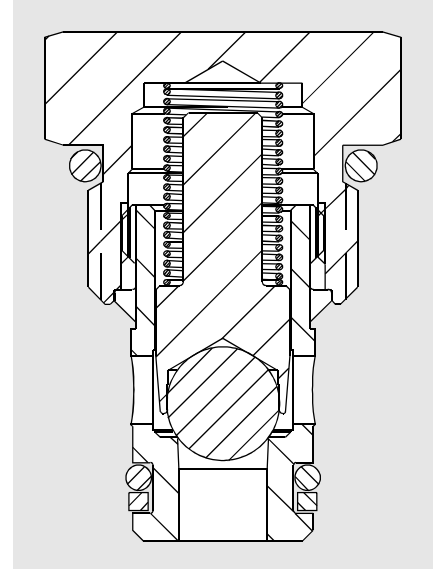
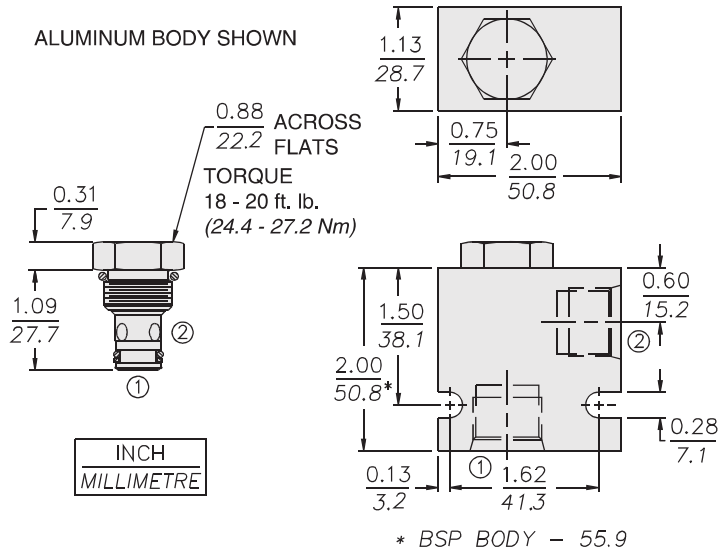


### PERFORMANCE (Cartridge Only)



# CV08-20

## DIMENSIONS



## MATERIALS

### Cartridge: Weight: 0.05 kg. (0.12 lbs.)

Steel with hardened work surfaces.  
Zinc-plated exposed surfaces.  
Buna N O-rings and back-up  
standard.

### Standard Ported Body: Weight:

0.16 kg. (0.35 lbs.) Anodized high-  
strength aluminum alloy, rated to  
207 bar (3000 psi). Ductile iron bod-  
ies available; dimensions may differ.  
See page 8.008.1

## TO ORDER

CV08-20 -	<b>0</b>	-	<b>N</b>	-	<b>2 5</b>
	Porting				Bias Spring
	Cartridge Only <b>0</b>				<b>04</b> 0.3 bar (4 psi)
	SAE 4 <b>4T</b>				<b>10</b> 0.7 bar (10 psi)
	SAE 6 <b>6T</b>				<b>25</b> 1.7 bar (25 psi)
	1/4 in. BSP* <b>2B</b>				<b>40</b> 2.8 bar (40 psi)
	3/8 in. BSP* <b>3B</b>				<b>60</b> 4.1 bar (60 psi)
	1/2 in. BSP* <b>4B</b>				<b>100</b> 6.9 bar (100 psi)
	*BSP Body;				<b>150</b> 10.3 bar (150 psi)
	U.K. Mfr. Only				<b>200</b> 13.8 bar (200 psi)
					<b>270</b> 18.3 bar (270 psi)
					<b>M25</b> 25.0 bar (363 psi)
					Seals
					<b>N</b> Buna N (Std.)
					<b>V</b> Fluorocarbon
					<b>HV</b> Fluorocarbon
					<b>P</b> Polyurethane
					<b>U</b> Urethane