

PART NUMBER

6VR	D	1	D24	M	PB	SD	000	Code
↑	↑	↑	↑	↑	↑	↑	↑	↑
1	2	3	4	5	6	7	8	9

1	Type
6VR	6-way

2	Ports
C	1/2" G.
D	M.18x1,5
G	3/4"-16 UNF-2B

3	Connector type
1	Hirschmann
2	Deutsch without diode
3	Deutsch with diode

4	Voltage
D12	12 V
D24	24 V

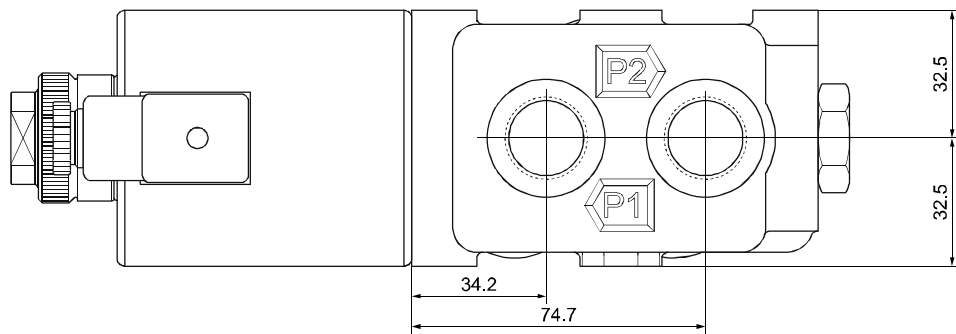
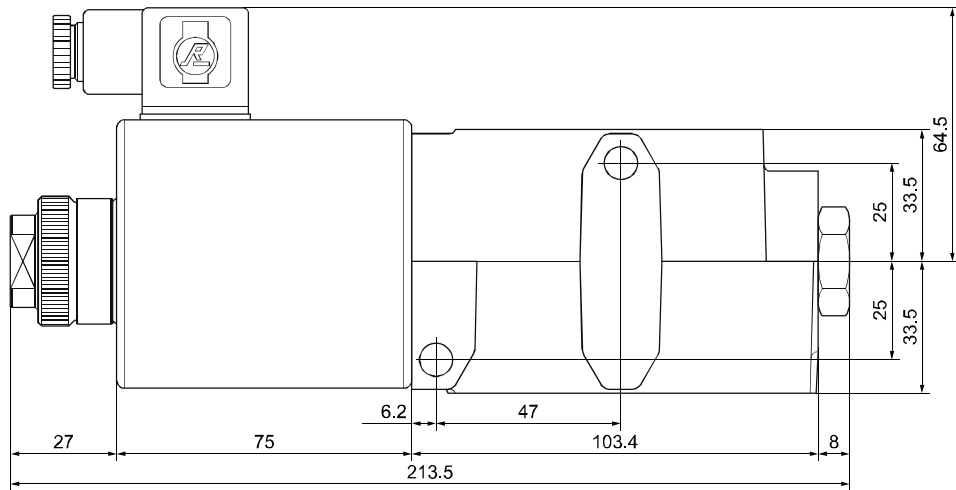
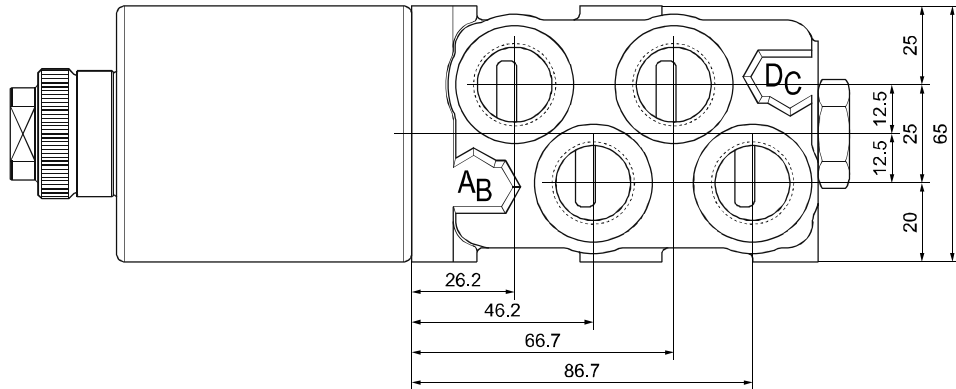
5	Nominal flow
M	40 L./min.
L	80 L./min.

6	Spool
PA	
PB	
X1	
X2	
X3	

7	Drainage
CD	With drainage
SD	Without drainage

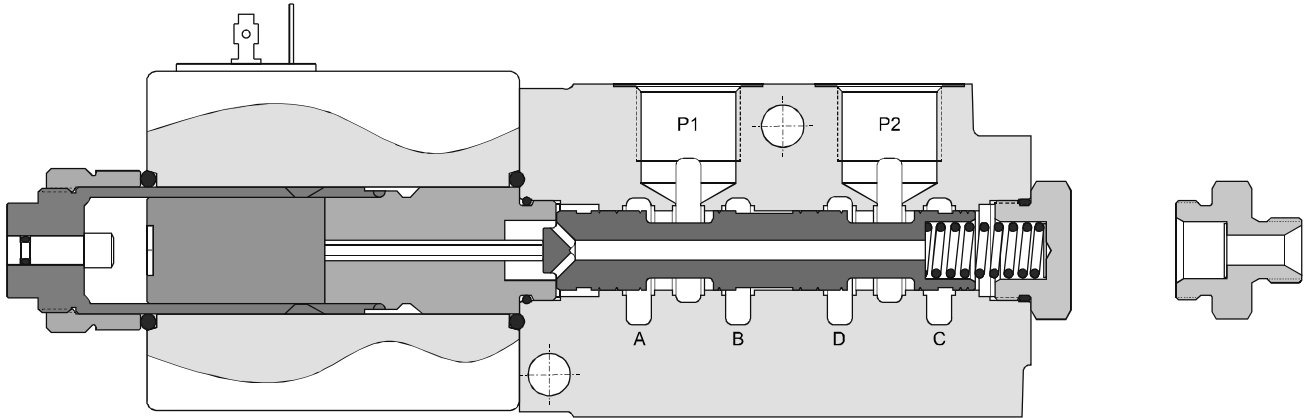
8	Protection
000	No paint
***	ROQUET paint code. Check.

9	Code
----------	-------------

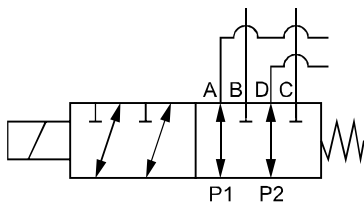


Technical data	
Work pressure range	0 - 250 bar
Nominal flow	40 L./min. - 80 L./min.
Fluid recommended	ISO 6743 Type HM, HV or HG
Flow temperature range	-20°C...+80°C
Viscosity range	ISO 3448 CAT. VG32-VG46
Fluid cleanliness range	16/13 s./ ISO 4406 or RP70H

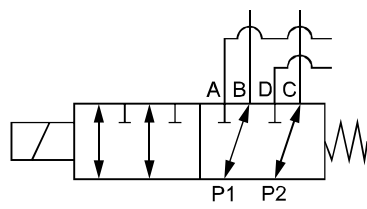
Technical data		
Ports	A, B, C, D, P1, P2	3/4" UNF - M.18x1,5 - 1/2" G.
Connector type	Deutsch - Hirschmann	
Voltage	12V - 24V	
Power 40 L./min.	38W	
Power 80 L./min.	44W	



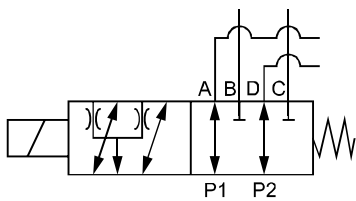
PA function



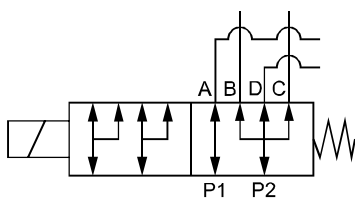
PB function



X1 function



X2 function



X3 function

