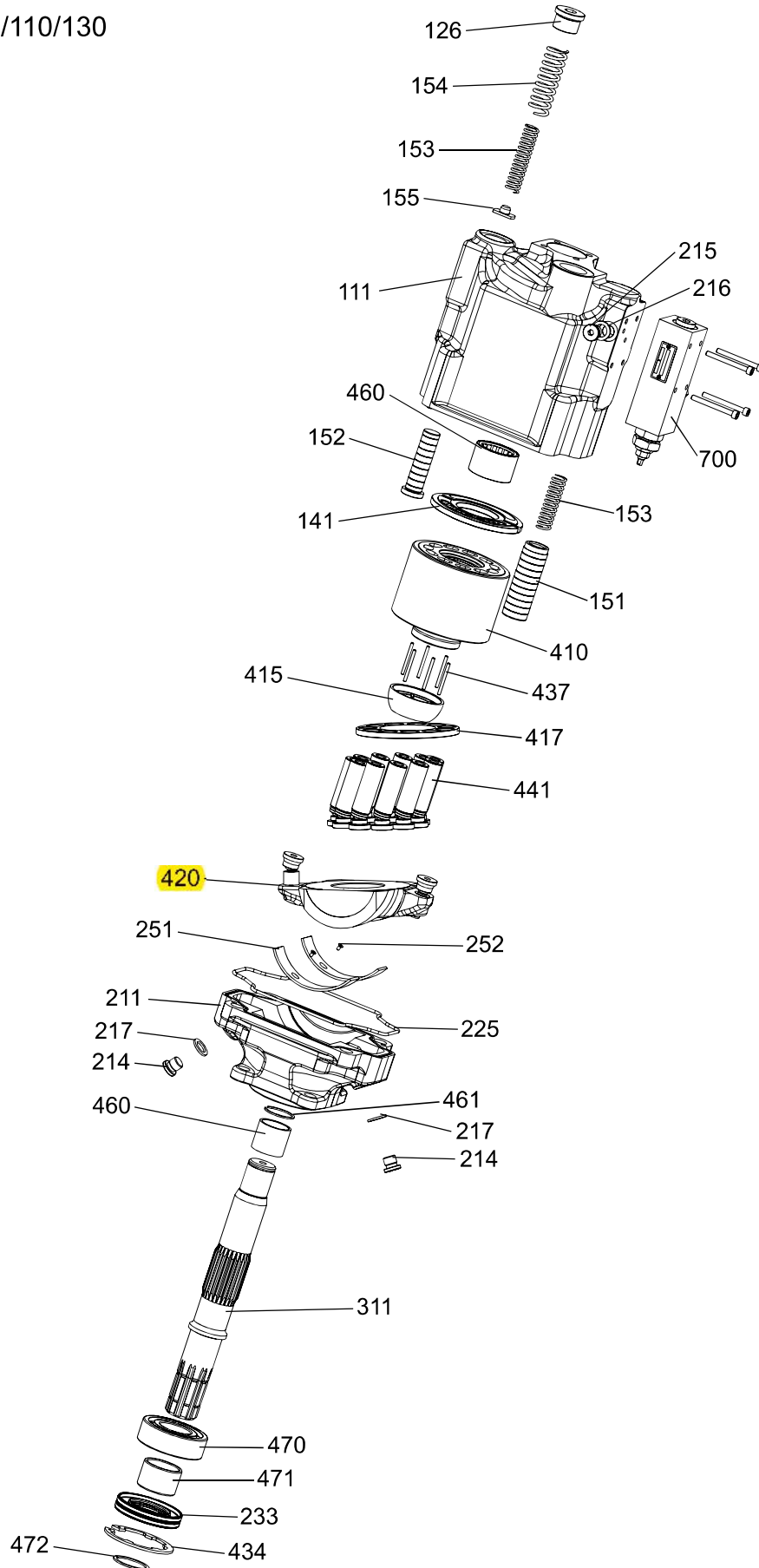


Splitview VP1-095/110/130



**VP1-130**

Item	Part No.	Description	Benämning	Qty.	Remarks
111	3787165	Barrel housing left assy	Trumhus vänster kpl	1	Type L
111	3787164	Barrel housing right assy	Trumhus höger kpl	1	Type R
126	3794309	Hexagon plug assy M27	Insexpropp kpl M27	1	
131	914528	Retaining ring	Spårring	1	
141	3784515	Valve plate	Ventilskiva	1	Type L
141	3784509	Valve plate	Ventilskiva	1	Type R
151	3784514	Large setting piston	Stora ställkolven	1	
152	3784513	Small setting piston	Lilla ställkolven	1	
153	3786133	Spring	Fjäder	2	
154	3786132	Spring	Fjäder	1	
155	3785995	Spring seat	Fjädersäte	1	
211	3787166	Bearing housing	Lagerhus	1	
214	944505	Hexagon plug R1/4	Insexpropp R1/4	2	
215	944505	Hexagon plug R1/4	Insexpropp R1/4	1	
216	943907	Seal washer	Tätbricka	1	
217	943907	Seal washer	Tätbricka	2	
225	3786033	O-ring	O-ring	1	
233	3783000	Shaft seal	Axeltätning	1	
246	974133	Hexagon screw	Insexskruv	4	
251	3785851	Bearing cap	Lagerskal	2	
252	969707	Torx screw	Torxskruv	2	
311	3785681	Shaft	Axel	1	
410	3784526	Cylinder barrel assy	Cylindertrumma kpl	1	
415	3785678	Sphere	Sfär	1	
417	3784512	Slipper retainer	Nedhållarplatta	1	
420	3783727	Swashplate assy	Vagga kpl	1	Type L
420	3783726	Swashplate assy	Vagga kpl	1	Type R
434	914537	Retaining ring	Spårring	1	
437	3787192	Pin	Pinne	6	
441	3783571	Piston assy	Kolv kpl	11	
460	3785852	Needle bearing	Nållager	1	
461	3786191	Retaining ring	Spårring	1	
470	184758	Bearing	Lager	1	
471	3786023	Inner ring	Innerring	1	
472	977802	Retaining ring	Spårring	1	
I 700	3789999	Control LS	Regulator LS	1	Repl. 3785780

**Sealkit VP1-130, Part No. 3787370**

