



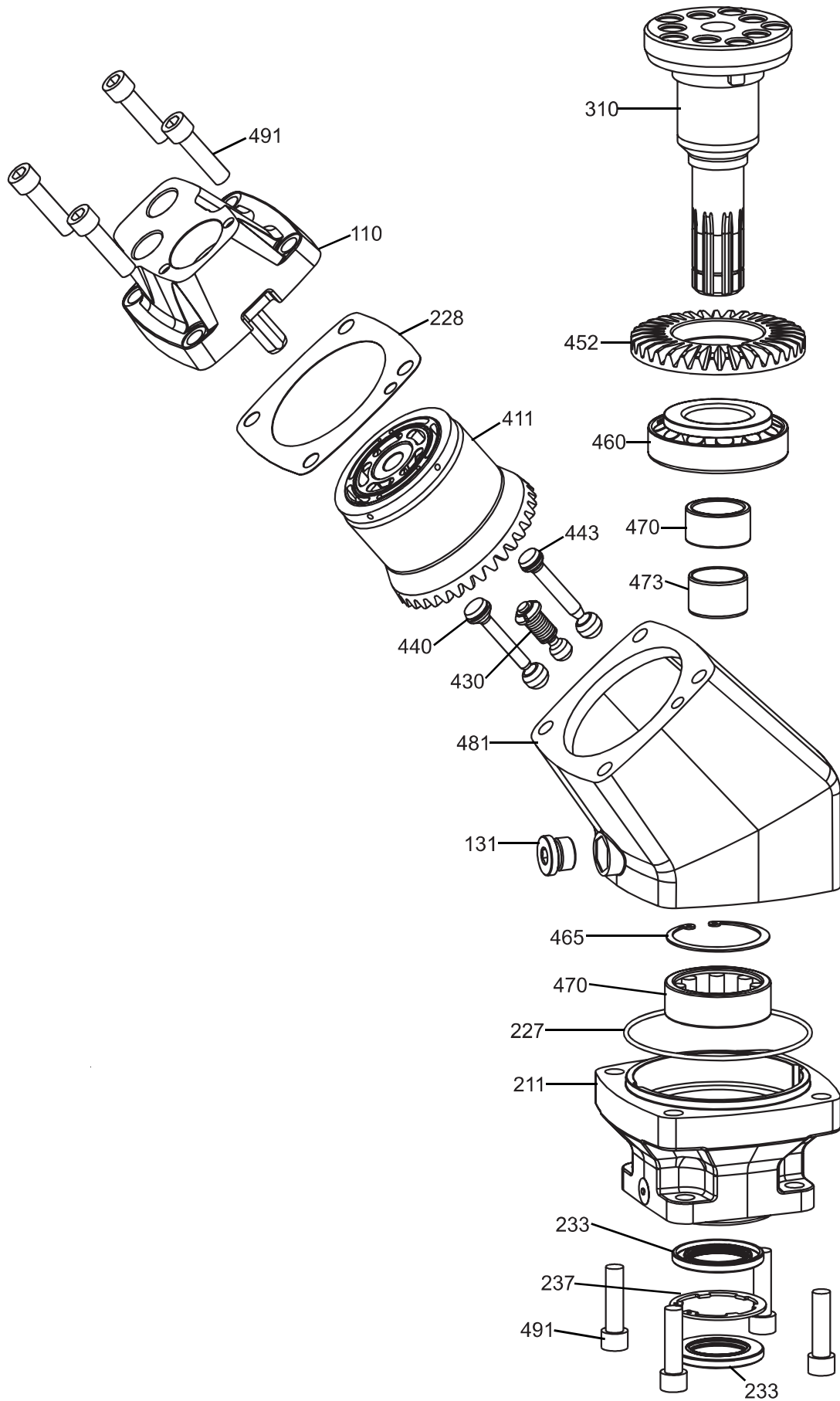
Bulletin HY30-5521-M1

# Spare Parts Series F02

Effective: August, 2017  
Supersedes: October, 2016

---





F2-plus -70/70, -70/35, -53/53, -42/42, -55/28 from serial no. 2000070001

Item	Part No	Title	Benämning	Qty	Remarks
110	3787580	End Cap assy	Anslutningstopp kpl	1	R-rotation, 70/70
110	3787581	End Cap assy	Anslutningstopp kpl	1	L-rotation, 70/70
110	3781442	End Cap assy	Anslutningstopp kpl	1	R-rotation, 70/35
110	3781444	End Cap assy	Anslutningstopp kpl	1	L-rotation, 70/35
110	3781445	End Cap assy	Anslutningstopp kpl	1	L-rotation, 53/53
110	3781446	End Cap assy	Anslutningstopp kpl	1	R-rotation, 53/53
110	3785971	End Cap assy	Anslutningstopp kpl	1	R-rotation, 42/42
110	3785972	End Cap assy	Anslutningstopp kpl	1	L-rotation, 42/42
110	3785968	End Cap assy	Anslutningstopp kpl	1	R-rotation, 55/28
110	3785969	End Cap assy	Anslutningstopp kpl	1	L-rotation, 55/28
130	3785227	Hex. Socket Plug	Insexpropp	1	Replaces 3780933
210	3708113	Bearing Housing Assy	Lagerhus,kpl	1	
227	3794268	O-ring	O-ring	1	
228	3703977	Gasket	Packning		0.25 mm
228	3794905	Gasket	Packning		0.40 mm
233	118812	Shaft Seal	Tätningring	2	40*62*6 Repl. 118773
237	967822	Retaining Ring	Spårring	1	
248	3793510	Washer	Bricka	1	
249	116090	Grooved Rivet	Nit	1	
310	3786237	Shaft. assy	Axel, kpl	1	70/70
310	3795440	Shaft, assy	Axel, kpl	1	70/35 - 55/28
310	3796655	Shaft, assy	Axel, kpl	1	53/53 - 42/42
411	3783535	Cylinder Barrel	Cylindertrumma	1	55/28
411	3783652	Cylinder Barrel	Cylindertrumma	1	42/42
411	3780207	Cylinder Barrel	Cylindertrumma	1	53/53 replaces 3795317
411	3780484	Cylinder Barrel	Cylindertrumma	1	70/35 replaces 3795271
411	3786228	Cylinder Barrel	Cylindertrumma	1	70/70
430	3709840	Barrel Support	Trumstöd	1	
440	3786249	Piston assy	Kolv kpl	5	70/70
440	3799991	Piston assy	Kolv kpl	5	70/35
440	3791993	Piston assy	Kolv kpl	5	53/53 - 55/28
440	3783555	Piston assy	Kolv kpl	5	42/42
442	3705784	Piston Ring	Lamellring	15	Not available see SI 08/02
442	3795377	Piston Ring	Lamellring	15	Not available see SI 08/02
443	3786250	Piston assy	Kolv kpl	5	70/70
443	3791993	Piston assy	Kolv kpl	5	70/35 - 42/42
443	3799991	Piston assy	Kolv kpl	5	53/53
443	3783555	Piston assy	Kolv kpl	5	55/28
445	3795377	Piston Ring	Lamellring	15	Not available see SI 08/02
445	3705784	Piston Ring	Lamellring	15	Not available see SI 08/02
452	3795313	Ring Gear	Kuggkrans	1	
460	184660	Tapered Roller Bearing	Kon. Rullager	1	T7FC 055
465	914537	Retaining Ring	Spårring	1	
470	3705743	Cylindrical Bearing	Cyl. Lager	1	NU2207ECP
473	3796039	Inner Ring	Innerring	1	
481	3780067	Barrel Housing	Trumhus	1	
491	3782191	Hex. Socket Screw	Insexskruv	8	M12*45, 10.9 replaces 968580

Kits for F2-plus -053/053, -070/035, -070/070, -055/028, -042/042

<b>To fit</b>	<b>Part No</b>	<b>Title</b>	<b>Benämning</b>	<b>Serialno:</b>
F2-042/042-R	3785976	Spare Parts Kit	Reservdelssats	
F2-042/042-L	3785977	Spare Parts Kit	Reservdelssats	
F2-055/028-R	3785974	Spare Parts Kit	Reservdelssats	
F2-055/028-L	3785975	Spare Parts Kit	Reservdelssats	
F2-053/053-L	3781568	Spare Parts Kit	Reservdelssats	2000070001
F2-053/053-R	3781569	Spare Parts Kit	Reservdelssats	2000070001
F2-070/035-L	3781571	Spare Parts Kit	Reservdelssats	2000070001
F2-070/035-R	3781570	Spare Parts Kit	Reservdelssats	2000070001
F2-070/070-R	3786350	Spare Parts Kit	Reservdelssats	
F2-070/070-L	3786351	Spare Parts Kit	Reservdelssats	
F2-all sizes	3783307	Sealing Kit	Tätsats	

The Spare Parts Kits comprise items 110, 227, 228, 233, 411, 440, 443 and 473.  
If more parts are required it is normally not profitable to carry out a repair.



Parker Hannifin  
Pump and Motor Division  
Flygmotorvägen 2  
SE-461 82 Trollhättan  
Sweden  
Tel: +46 (0)520 40 45 00  
Fax: +46 (0)520 371 05  
[www.parker.com](http://www.parker.com)