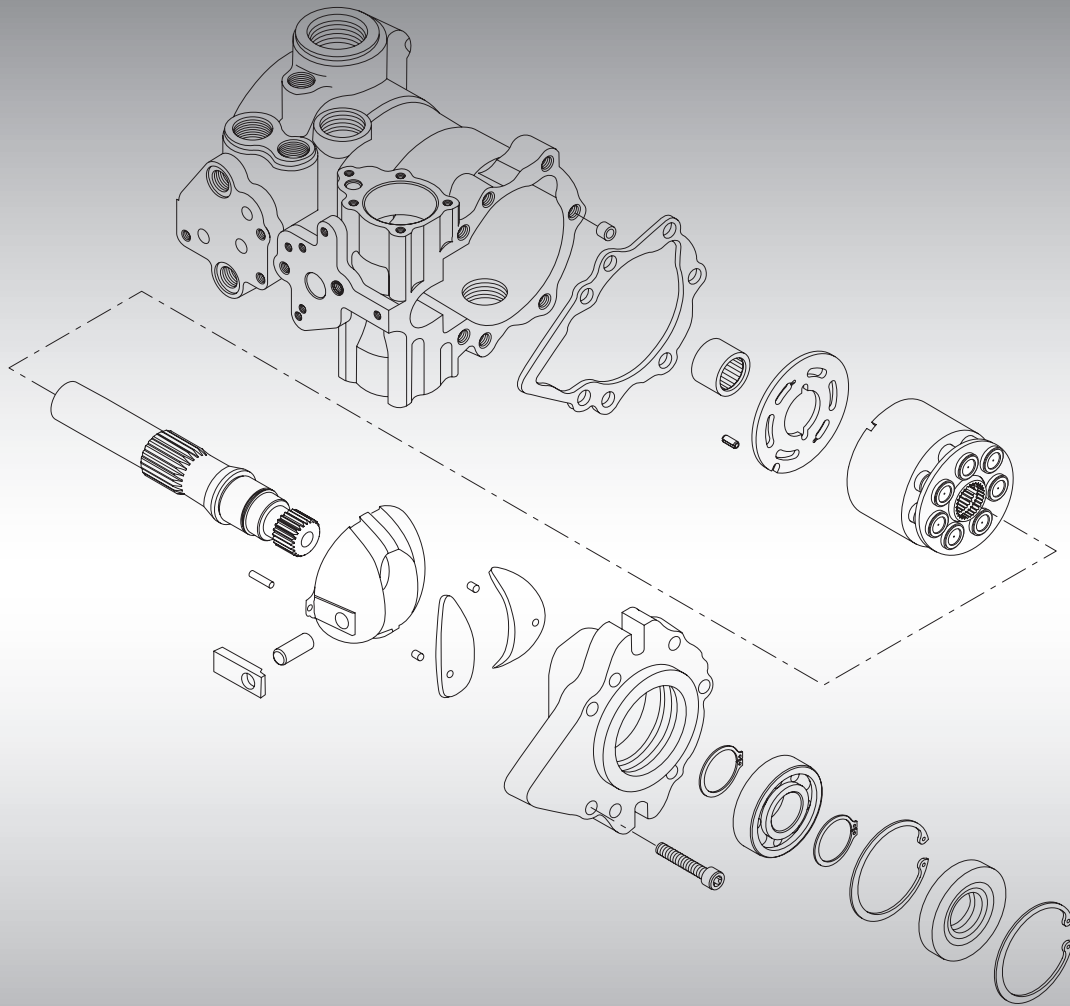




Parts Manual

Series 40 M46 Axial Piston Pump





Variable displacement pump

Common maximum displacement parts

Order Code	Item	Date Begin	Date End	Part Number	Part Name	Qty. per Model/Kit
	905	84-31		4461034	Spring guide (SB-1998-051)	1
	907	84-31		4460164	Servo spring	1
	908	84-31		4461033	Servo screw (SB-1998-051)	1
	909	84-31		4460302	Spring guide	1
	910	84-31		9006220-0131	Retaining ring	1
	911	84-31		9003535-3700	Nut	1
	919	87-40		5000480	Nut	1
	920	84-31		9007276-0134	Screw	5
	921	84-31		9007376-0134	Screw	5

Maximum displacement

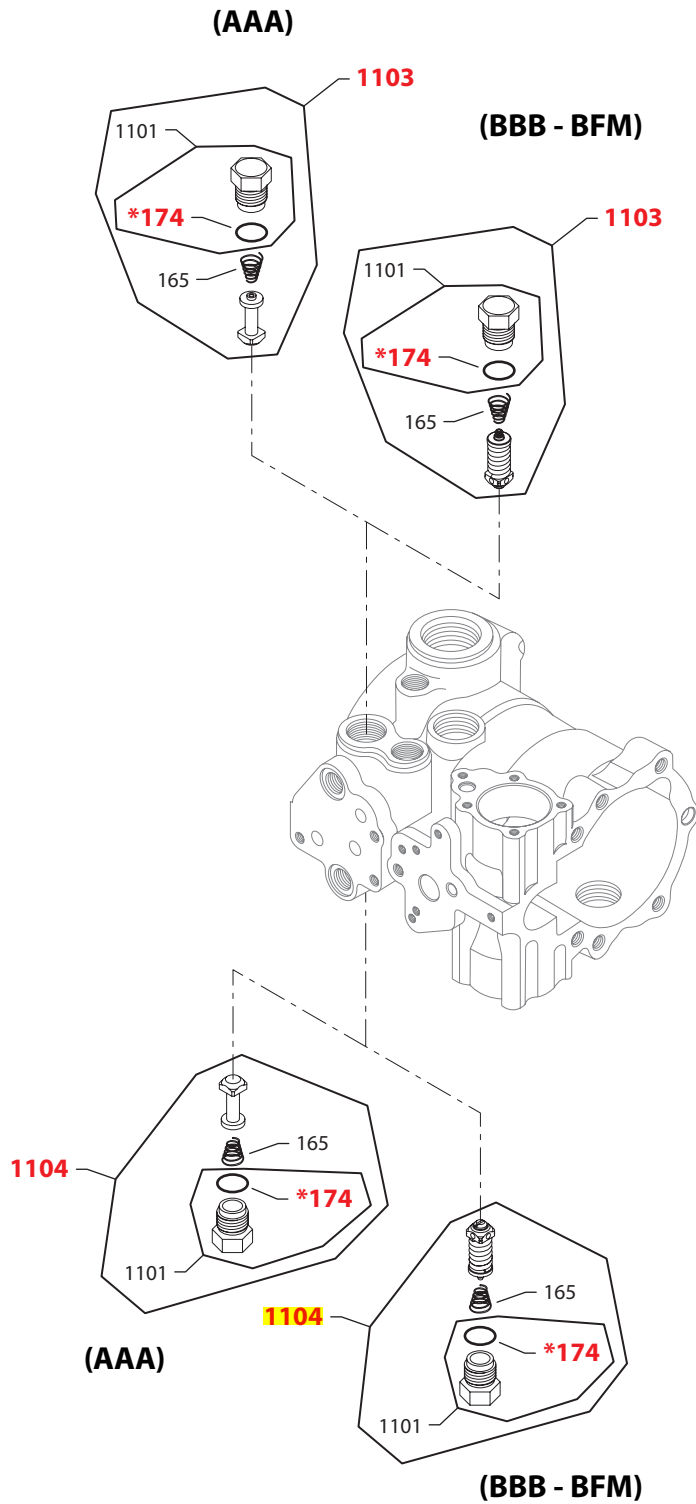
V	901	97-26		4460455-0002	Servo cover	1
	902	97-26		4460455-0002	Servo cover	1
	906	97-26		4460303-0001	Servo stop	1
	931	97-26		4460946	Servo stop	1
	932	97-26		9003575-0083	Seal nut	1
W	901	98-09		4460455-0004	Servo cover (SB-1987-029 & SB-2006-017)	1
	902	98-09		4460455-0002	Servo cover	1
	906	98-09		4460997	Servo stop	1
X	901	99-26		4460455-0002	Servo cover	1
	902	99-26		4460455-0002	Servo cover	1
	906	99-26		4460303-0002	Servo stop	1
	931	99-26		4460946	Servo stop	1
	932	99-26		9003575-0083	Seal nut	1
Y	901	00-40		4460455-0002	Servo cover	1
	902	00-40		4460455-0002	Servo cover	1
	906	00-40		4460303-0001	Servo stop	1
	931	00-40		4460946	Servo stop	1
	932	00-40		9003575-0083	Seal nut	1
Z	901	01-30		4460455-0002	Servo cover	1
	902	01-30		4460455-0002	Servo cover	1
	906	01-30		4460303-0002	Servo stop	1
	931	01-30		4460946	Servo stop	1
	932	01-30		9003575-0083	Seal nut	1

Bypass valve

A	1004	84-31		4461332	Bypass valve assembly	1
	1002	84-31		9006110-0120	Back up ring	1
	1003	84-31		5000654	O-ring	1
B	1004	84-31		4461333	Bypass valve assembly, .031" orifice	1
	1002	84-31		9006110-0120	Back up ring	1
	1003	84-31		5000654	O-ring	1
C	1004	84-31		4461334	Bypass valve assembly, .040" orifice	1
	1002	84-31		9006110-0120	Back up ring	1
	1003	84-31		5000654	O-ring	1



Variable displacement pump



E100 208E

* = included in overhaul seal kit Q210

Enlarged **bold** type item numbers are recommended part to stock for servicing.