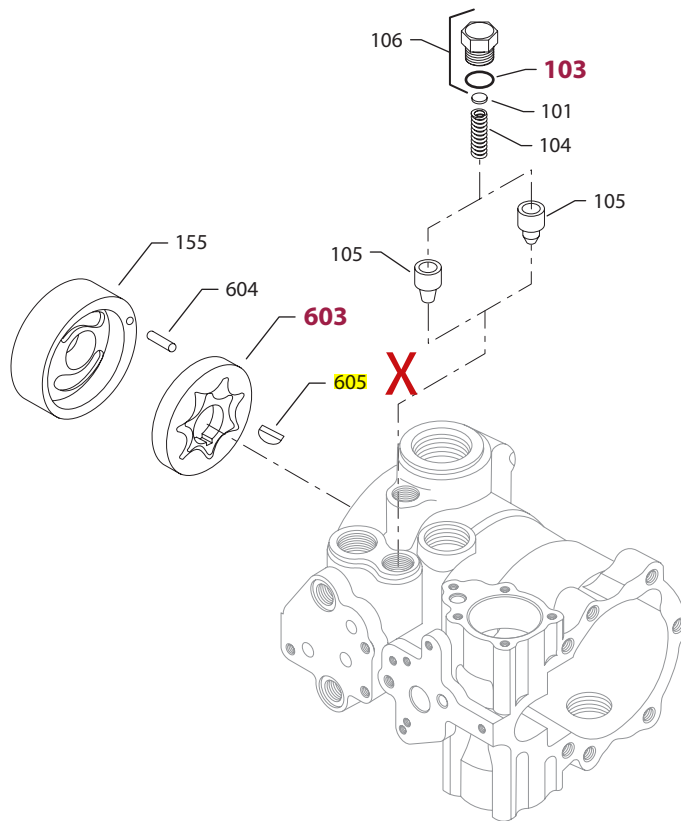


CHARGE PUMP DISPLACEMENT

Order Code	Item	Date Begin	Date End	Part Number	Part Name	Qty. per Model/Kit
A	606	84-31		9005110-9200	Plug assembly	1
	606A	84-31		9004201-9000	O-ring	1
B	603	84-31		4800054-0001	Gerotor assembly	1
	604	86-05		9004800-1913	Pin	1
	604	84-31	86-04	9004875-0083	Pin	1
	605	84-31		9003301-0906	Key	1

CHARGE PRESSURE RELIEF SETTING

A	101	86-14		9510445	Shim kit, 220-240 psi	1
	101	84-31	86-13	9510362	Shim kit	1
	103	86-14		9004201-6200	O-ring	1
	103	84-31	86-13	9004201-5000	O-ring	1
	104	86-14		4800431	Charge relief spring	1
	104	84-31	86-13	3102280	Charge relief spring	1
	105	86-14		9800965	Relief valve	1
	105	84-31	86-13	3102274	Relief valve	1
	106	86-14		4461325	Plug assembly	1
	106	84-31	86-13	4250174	Plug assembly	1
B	101	86-14		9510445	Shim kit, 275-300 psi	1
	101	84-31	86-13	9510362	Shim kit	1
	103	86-14		9004201-6200	O-ring	1
	103	84-31	86-13	9004201-5000	O-ring	1
	104	86-14		4800431	Charge relief spring	1
	104	84-31	86-13	3102280	Charge relief spring	1
	105	86-14		9800965	Relief valve	1
	105	84-31	86-13	3102274	Relief valve	1
	106	86-14		4461325	Plug assembly	1
	106	84-31	86-13	4250174	Plug assembly	1
C	101	86-14		9510445	Shim kit, 250-270 psi	1
	101	84-31	86-13	9510362	Shim kit	1
	103	86-14		9004201-6200	O-ring	1
	103	84-31	86-13	9004201-5000	O-ring	1
	104	86-14		4800431	Charge relief spring	1
	104	84-31	86-13	3102280	Charge relief spring	1
	105	86-14		9800965	Relief valve	1
	105	84-31	86-13	3102274	Relief valve	1
	106	86-14		4461325	Plug assembly	1
	106	84-31	86-13	4250174	Plug assembly	1



E100 222E

Enlarged **bold** type item numbers are recommended parts to be stocked for servicing