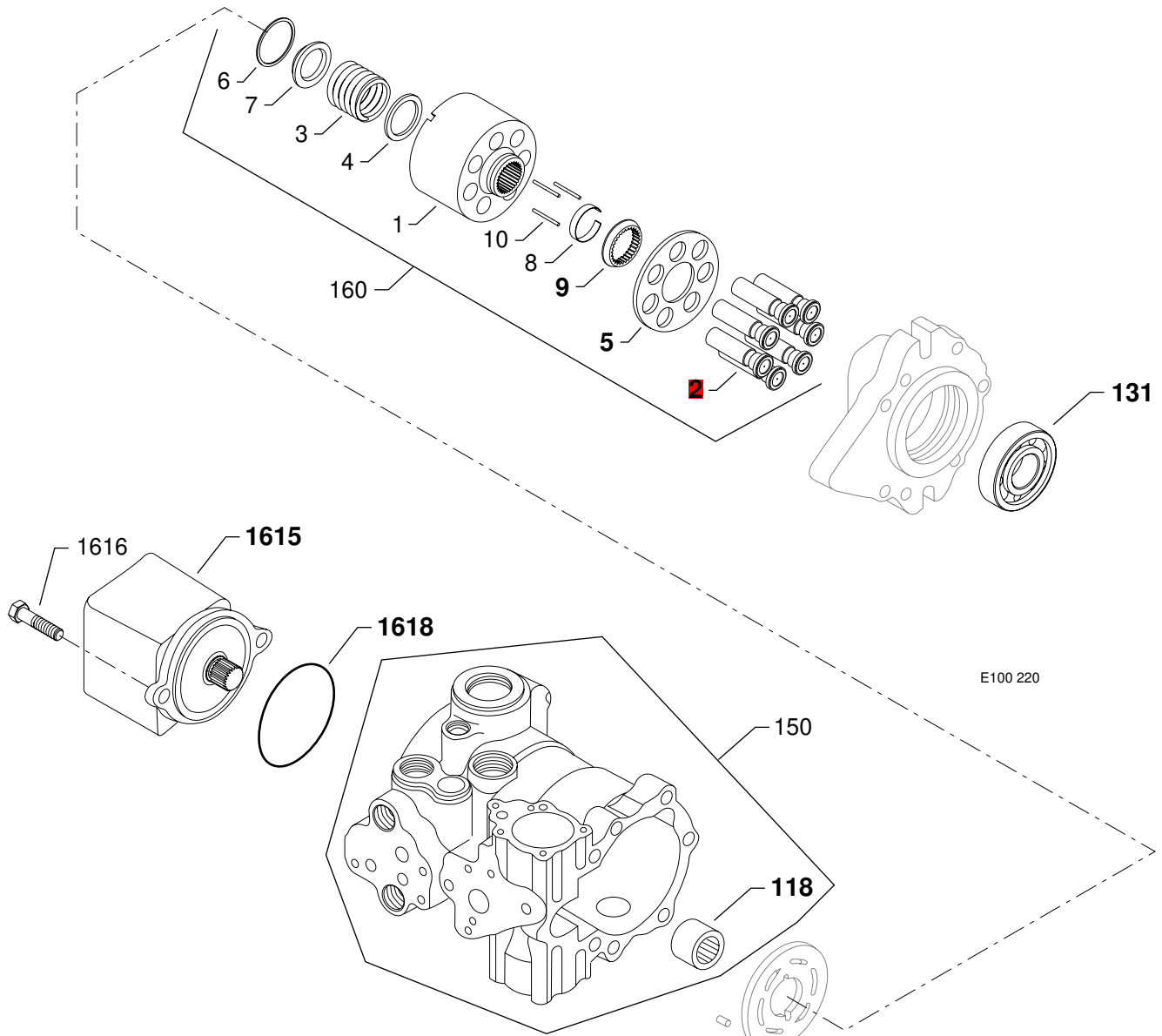


M46 Variable Displacement Pump



**Enlarged Bold type item numbers
are recommended parts to be
stocked for servicing**



Common Parts

Order Code	Item	Date Code Begin → End	Part Number	Description	Qty. per Model/Kit
	1	86-18 →	4460832	Cylinder block (SB-9520)	1
	"	84-31 → 86-17	4460174	Cylinder block	1
	2	84-31 →	4461032	Piston assembly (SB-9877)	7
	3	84-31 →	4460111	Cylinder block spring	1
	4	84-31 →	9009625-0108	Washer	1
	5	84-31 →	4460009	Slipper retainer	1
	6	84-31 →	9009650-0162	Retaining ring	1
	7	84-31 →	9009625-0105	Washer	1
	8	84-31 →	4460028	Hold down pin retainer	1
	9	84-31 →	4460180	Slipper retainer guide	1
	10	84-31 →	9004875-0113	Hold down pin	3
	118	84-31 →	9001465-0010	Needle bearing	1
	150	84-31 →	4460579	Housing assembly (SB-8711 & 8724)	1
	160	86-18 →	4460890	Cylinder block kit (SB-9520)	1
	"	84-31 → 86-17	4460110	Cylinder block kit	1

Special Hardware

Order Code	Item	Date Code Begin → End	Part Number	Description	Qty. per Model/Kit
GNH	131	84-31 →	9001315-0011	Ball bearing	1
	1615	95-05 →	00111.20.130.00	Gear pump (Orientated at 180°)	1
	1616	95-05 →	9007200-3716	Screw	2
	1618	95-05 →	5000373	O-ring	1
GNM	131	84-31 →	9001315-0011	Ball bearing	1
	1615	95-05 →	B18122-00200	Gear pump (Orientated at 180°)	1
	1616	95-05 →	9007200-3716	Screw	2
	1618	95-05 →	5000373	O-ring	1
GRL	131	84-31 →	9001315-0011	Ball bearing	1
	1615	95-05 →	00111.20.130.00	Gear pump (Orientated at 0°)	1
	1616	95-05 →	9007200-3716	Screw	2
	1618	95-05 →	5000373	O-ring	1
GRM	131	84-31 →	9001315-0011	Ball bearing	1
	1615	95-05 →	00111.20.134.00	Gear pump (Orientated at 0°)	1
	1616	95-05 →	9007200-3716	Screw	2
	1618	95-05 →	5000373	O-ring	1
NNN	131	84-31 →	9001315-0011	Ball bearing	1
NNR	131	92-50 →	5000461	Roller bearing	1
NNZ			Replaced by 'NNN' (SB-9710)		

Bold Items indicate recommended parts to be stocked for servicing