

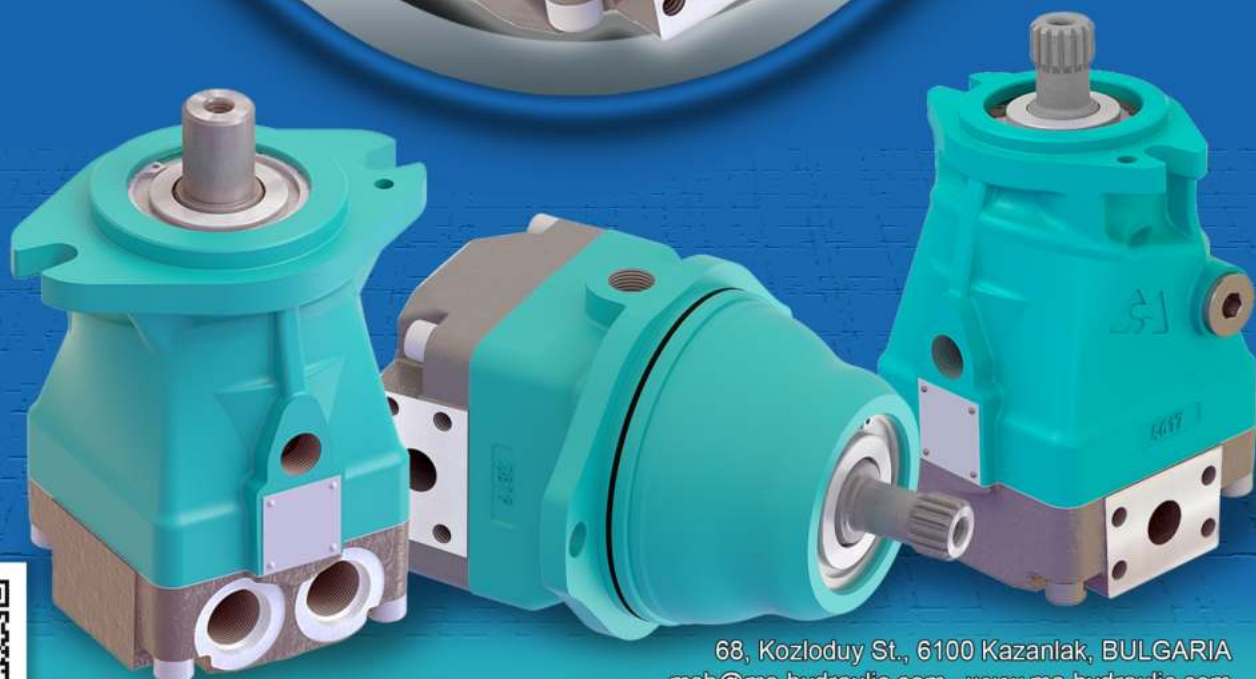


MS HYDRAULIC

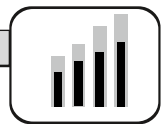
AXIAL PISTON MOTORS

MEDIUM DUTY FIXED DISPLACEMENT

In cooperation with  **HES**
HYDRAULIC ELEMENTS & SYSTEMS



68, Kozloduy St., 6100 Kazanlak, BULGARIA
msh@ms-hydraulic.com www.ms-hydraulic.com
tel.: + 359 431 65167, + 359 431 64271, fax: + 359 431 64114



CONTENT

Axial Piston Motors Fixed Displacement

Technical Data3

Specification Data7

Overall Dimensions and Ports9

Ordering Code21

Valve Options22

Shaft Types and Dimension24

Speed Sensors28

Installation31

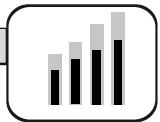
Fluid Viscosity Limits34

Basic Formulas35

Version history

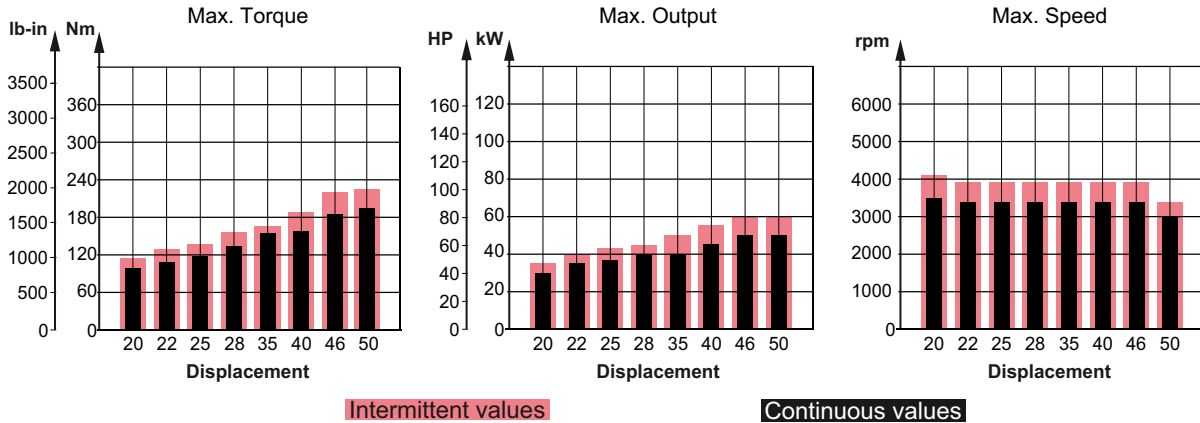
Date	Page	Changed	Ver.
January 2022		Minor fixes	1.4
July 2020		Added cartage flange type WP, increased working pressure of 20, 22, 25 and 28cc.	1.3
December 2018		Added displacement 20. Minor fixes.	1.2
September 2018		Minor fixes	1.1b
April 2018		First official edition	1.1

“M+S HYDRAULIC” takes no responsibility for possible errors in catalogues, brochures and other printed material.
 “M+S HYDRAULIC” reserves the right to alter its products without notice. This also applies to products already on order provided that such alterations can be made without subsequential changes being necessary in specifications already agreed.



TECHNICAL DATA

Hydraulic Motors Type MAM



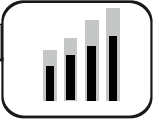
Ports and Shafts

Cross Table - Shaft Types

SAE A	SAE B	Cartage WP	Type of shafts	
x	x		WD	$\phi 21.72$ [0.855"] Spline SAE 13T 16/32 DP, M8 thread
x	x		LD	$\phi 21.72$ [0.855"] Spline SAE 13T 16/32 DP, 5/16-18 UNC thread
		x	PDA	$\phi 21.72$ [0.855"] Spline SAE 13T 16/32 DP, 1/4-20 UNC thread
x	x		WF	$\phi 24.9$ [0.98"] Spline SAE 15T 16/32, M8 thread
x	x		PF	$\phi 24.9$ [0.98"] Spline SAE 15T 16/32, 3/8-16 UNC thread
x	x		LF	$\phi 24.9$ [0.98"] Spline SAE 15T 16/32, 3/8-16 UNC thread
		x	PFA	$\phi 24.9$ [0.98"] Spline SAE 15T 16/32, 3/8-16 UNC thread
	x		WK	$\phi 31.75$ [1.25"] Spline SAE 14T 12/24 DP, M10 thread
	x		LK	$\phi 31.75$ [1.25"] Spline SAE 14T 12/24 DP, 7/16-14 UNC thread
x	x	x	CK	$\phi 22.2$ [$\phi 7/8$] Straight , M8 thread, parallel key 1/4"x1/4"x1" BS46
x	x		MK	$\phi 22.2$ [$\phi 7/8$] Straight , M8 thread, parallel key 1/4"x1/4"x1 1/2" BS46
x	x		ML	$\phi 25$ [$\phi 0.984$] Straight , M8 thread, parallel key A8x7x25 DIN6885
x	x		CM	$\phi 25.4$ [$\phi 1$] Straight , M8 thread, parallel key 1/4"x1/4"x1" BS46
	x		DO	$\phi 28.75$ [$\phi 1.125$] Straight , key 7.95[5/16"], L31.7[1 1/4"], 3/8-16 UNC thread
	x		CQ	$\phi 30$ [$\phi 1.181$] Straight , M8 thread, parallel key A8x7x32 DIN6885
	x		DR	$\phi 31.75$ [$\phi 1.25$] Straight , key 7.95[5/16"], L31.7[1 1/4"], 3/8-16 UNC thread
	x		CS	$\phi 32$ [$\phi 1.26$] Straight , M8 thread, parallel key A10x8x45 DIN6885
		x	KH	$\phi 25.4$ [1"] Tapered 1:8 [125:1000], Parallel key 1/4"x1/4"x1", M16x1.5 thread
		x	KHA	$\phi 25.4$ [1"] Tapered 1:8 [125:1000], Parallel key 1/4"x1/4"x1", M16x1.5 thread

Cross Table - Port Types

PORTS SIZE - THREAD OPTION			Type of threads
Side ports	Twin ports	Rear ports	
default			2xISO 6162-2 DN19, metric, drain ports M18x1.5
5			2xSAE 3/4" PSI6000, SAE, drain ports 7/8-14 UNF
6	6	6	2xG1/2, drain ports G1/2
2	2	2	2xG3/4, drain ports G1/2
7	7	7	2xM22x2, drain ports M18x1.5
3	3	3	2xM27x2, drain ports M18x1.5
8	8	8	2x7/8-14 UNF Ports, drain ports 3/4-16 UNF
4	4	4	2x1 1/16 -12 UN, drain ports 7/8-14 UNF
9			2xISO 6162-2 DN19, drain ports G1/2

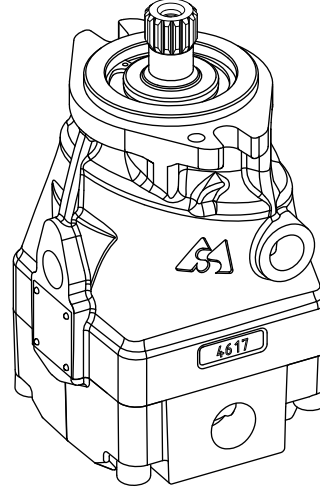
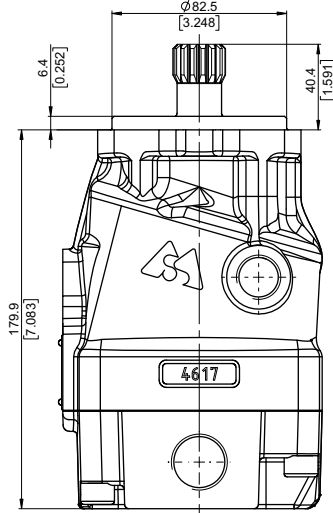


MOTOR DIMENSIONS

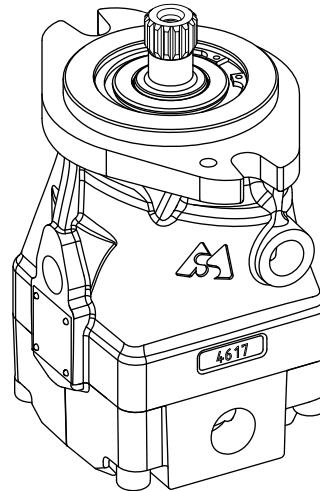
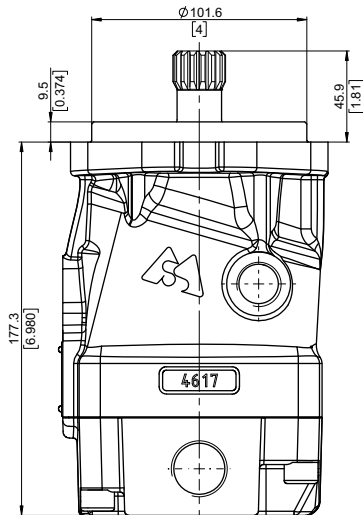
Hydraulic Motors Type MAM

The bellow dimensions are for comparison only. The motors can obtain different shafts and end covers.

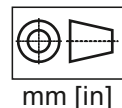
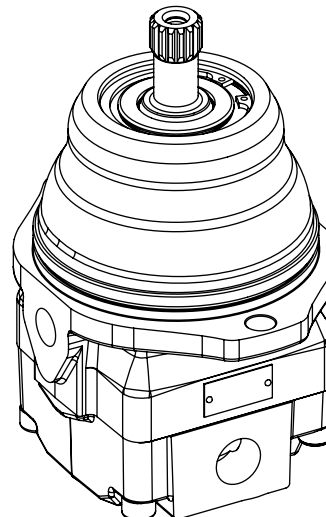
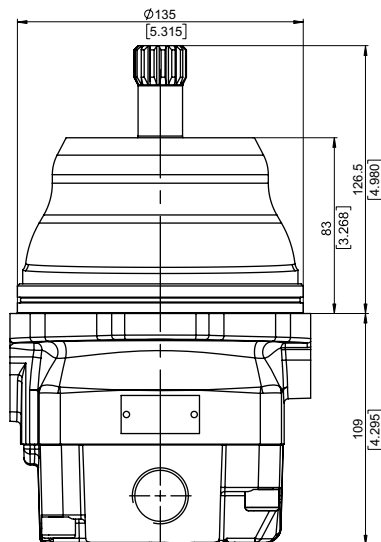
Mounting Flange-Type SAE-A



Mounting Flange-Type SAE-B



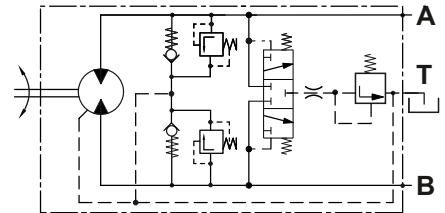
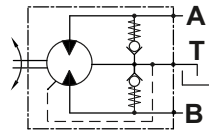
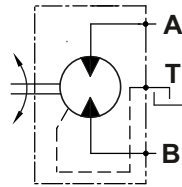
Mounting Flange- Cartage Type WP





Hydraulic Motors Type MAM

Medium Duty Axial Piston Motors Fixed Displacement



open drain line is always required

APPLICATION

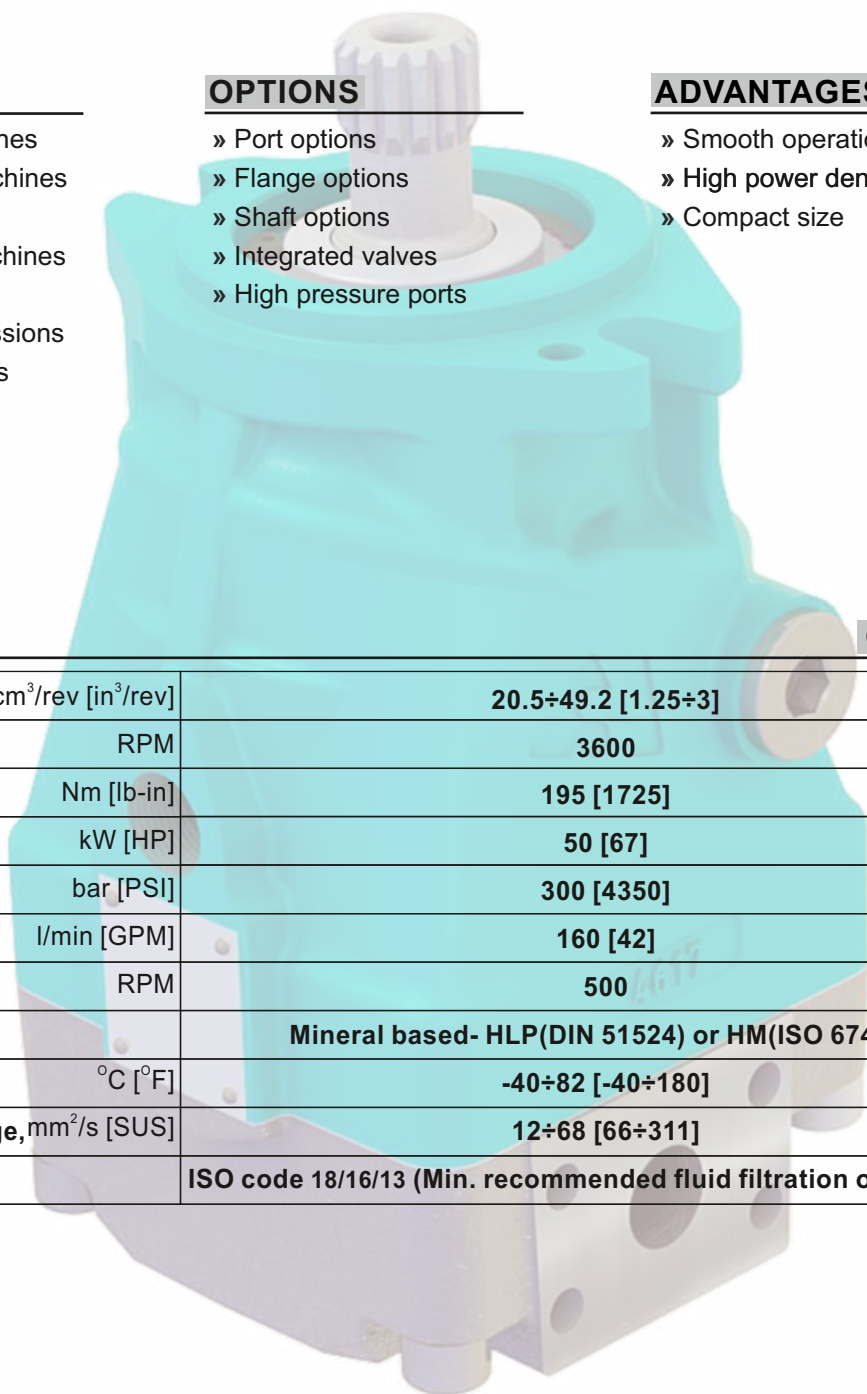
- » Agricultural machines
- » Road building machines
- » Mining machinery
- » Food industry machines
- » Swing drives
- » Hydraulic transmissions
- » Vibration machines
- » Fan drives
- » Special vehicles

OPTIONS

- » Port options
- » Flange options
- » Shaft options
- » Integrated valves
- » High pressure ports

ADVANTAGES

- » Smooth operation
- » High power density
- » Compact size

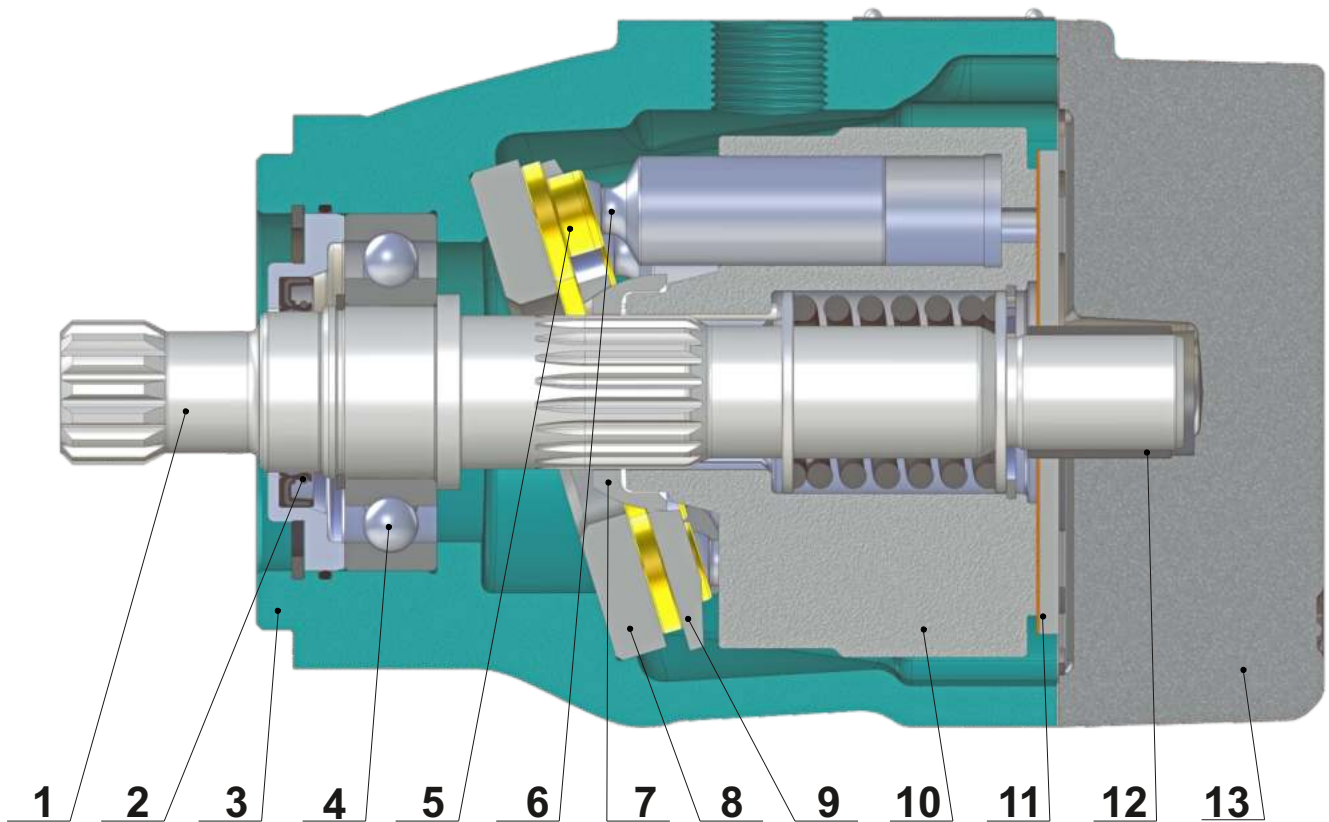


GENERAL

Displacement,	cm ³ /rev [in ³ /rev]	20.5÷49.2 [1.25÷3]
Max. Speed,	RPM	3600
Max. Torque,	Nm [lb-in]	195 [1725]
Max. Output,	kW [HP]	50 [67]
Max. Pressure Drop,	bar [PSI]	300 [4350]
Max. Oil Flow,	l/min [GPM]	160 [42]
Min. Speed,	RPM	500
Fluid	Mineral based- HLP(DIN 51524) or HM(ISO 6743/4)	
Temperature Range,	°C [°F]	-40÷82 [-40÷180]
Optimal Viscosity Range,	mm ² /s [SUS]	12-68 [66÷311]
Filtration	ISO code 18/16/13 (Min. recommended fluid filtration of 10 micron)	



SECTION VIEW



1. Hardened shaft
2. Shaft seal
3. Cast iron body
4. Ball or roller bearing
5. Piston shoes
6. Pistons
7. Hardened sphere
8. Thick support plate
9. Retainer plate
10. Cylinder block
11. Bimetal distributor
12. Plane bearing
13. Cast iron end cover

The medium duty design of the MAM is fix displacement motor for open and closed circuits. The motor compact construction is cost effective and has high power/weight ration. The design of the motor is maintenance friendly. We use swash plate which insures low levels of pulsation and noise.



SPECIFICATION DATA

Type	MAM 20	MAM 22	MAM 25	MAM 28	MAM 35	MAM 40	MAM 46	MAM 50	
Displacement, cm³/rev [in³/rev]	20.5 [1.25]	22.9 [1.4]	24.5 [1.49]	27.9 [1.7]	34.5 [2.11]	39.4 [2.4]	46.1 [2.81]	49.2 [3]	
Max. Speed, [RPM]	Cont.	3600	3500	3500	3500	3500	3500	3000	
	Int.*	4100	3900	3900	3900	3900	3900	3500	
Max. Torque,** Nm [lb-in]	Cont.	98 [870]	109 [965]	117 [1035]	133 [1180]	154 [1360]	157 [1390]	185 [1630]	195 [1725]
	Int.**	114 [1010]	128 [1130]	136 [1200]	154 [1360]	165 [1460]	188 [1664]	220 [1950]	226 [2000]
Output, kW [HP]	Cont.	30 [40]	35 [40]	37 [50]	40 [54]	40 [54]	45 [60]	50 [67]	50 [67]
	Int.**	35 [47]	40 [54]	42 [56]	45 [60]	50 [67]	55 [74]	60 [80]	60 [80]
Max. Pressure, bar [PSI]	Cont.	300 [4350]	300 [5080]	300 [5080]	300 [5080]	280 [4060]	250 [3625]	250 [3625]	250 [3625]
	Int.**	350 [5080]	350 [5080]	350 [5080]	350 [5080]	300 [4350]	300 [4350]	300 [4350]	290 [4200]
	Peak	400 [5800]	400 [5800]	400 [5800]	400 [5800]	350 [5080]	350 [5080]	350 [5080]	320 [4640]
Max. Oil Flow, l/min [GPM]	Cont.	75 [19.8]	80 [21.1]	85 [22.5]	97 [25.6]	120 [31.7]	137 [36.2]	160 [42.3]	147 [38.8]
	Int.*	85 [22.5]	90 [23.8]	95 [25.1]	110 [29.1]	135 [35.7]	153 [40.4]	180 [47.6]	172 [45.4]
Torque Constant ***** Nm/bar [lb-in/PSI]	0.29 [0.18]	0.33 [0.2]	0.35 [0.214]	0.4 [0.244]	0.5 [0.302]	0.564 [0.344]	0.66 [0.403]	0.704 [0.43]	
Speed Constant ***** RPM/(l/min) [RPM/GPM]	46.3 [175.4]	41.5 [156.9]	38.9 [147.1]	34.1 [128.9]	27.5 [104.3]	24.1 [91.4]	20.6 [78]	19.3 [73.2]	
Permissible Shaft Load									
max Axial**** N[lb]	Fa=800 [180] for SAE-A flange; Fa=1000 [225] for SAE-B and WP flange								
max Radial**** N[lb]	Fr=250 [56] for SAE-A flange; Fr=300 [68] for SAE-B and WP flange								
Min. Speed, [RPM]	500								
Max. Pressure in Drain Line, bar [PSI]	5 [70] open drain line is always required								
Weight, kg [lb]	11.1[24.5] for SAE-A flange; 12.2[26.9] for SAE-B flange; 13.5[29.7] for WP cartage flange								

Peak pressure is the highest allowable pressure, may occur for max. 1% of every minute.

* Intermittent speed (flow): for pressure up to 150[2200] bar [PSI].

** Intermittent load: the permissible values may occur for max. 10% of motor lifetime.

*** Theoretical torque.

**** The calculated max values are based on the optimal direction of the forces Fr, Fa and optimal position of the shaft.

***** The constant values are used for calculation of torque and speed with motor efficiencies $\eta_v=0.95$ and $\eta_{mh}=0.9$.

1. The recommended output power for continuous operations should not be exceeded.
2. Recommended filtration as per ISO 4406 cleanliness code 18/16/13 or better. This filtration corresponds to SAE AS 4059 8A/7B/7C. Nominal filtration - 10 micron or better.
3. Recommended a premium quality, anti-wear type mineral based hydraulic oil, HLP(DIN51524) or HM(ISO6743/4).
4. Recommended oil viscosity - 12...68 cSt or see page 34.
5. Recommended maximum system operating temperature - 82°[180°] C[F].
6. To ensure optimum life of the motor, fill it up with fluid prior to load it and run with moderate load and speed for about 10-15 minutes.

Hint: Motor Torque = Torque Constant * Pressure Drop

Rotation Speed = Speed Constant * Oil Flow

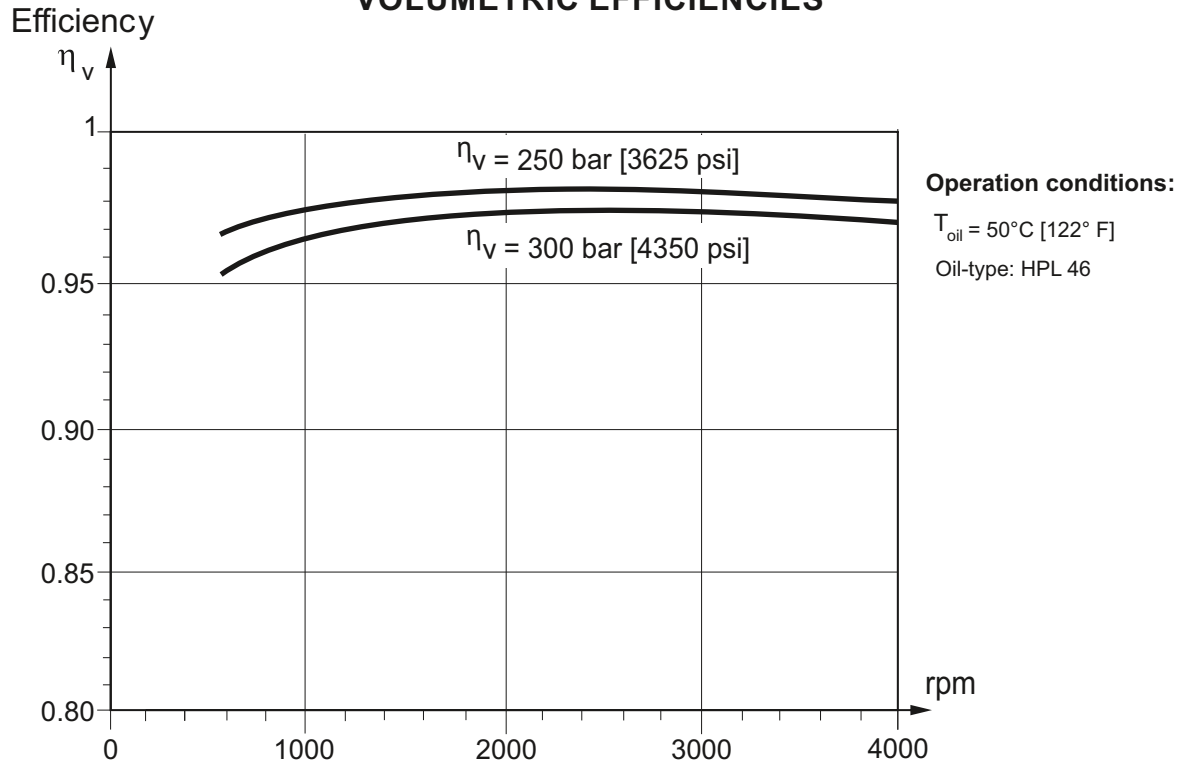
The constant values are approximate. Motor torque and rotation speed for a particular project are depending on the real operating conditions. For more detailed calculations please see efficiencies on next page and formulas on page 35.



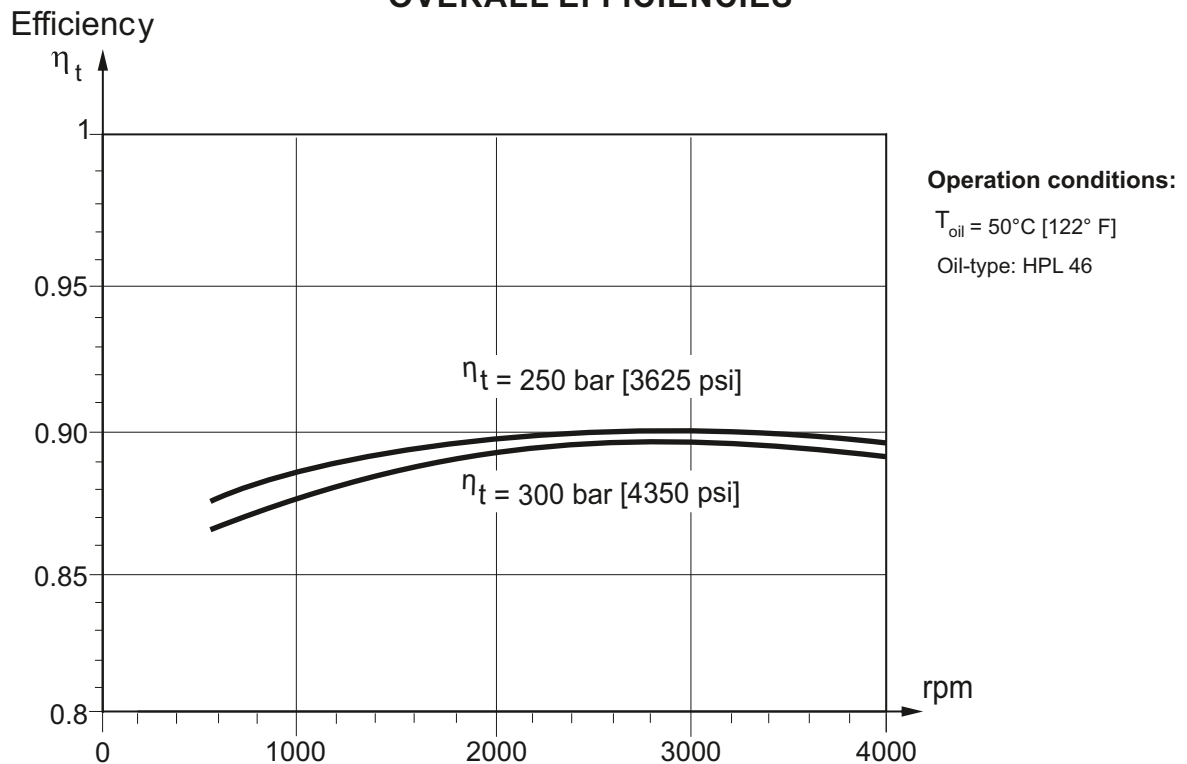
FUNCTION DIAGRAMS

The below efficiencies are applied to all displacements.

VOLUMETRIC EFFICIENCIES



OVERALL EFFICIENCIES



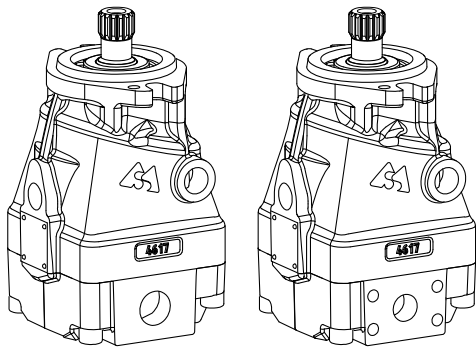
The motor size, pressure, torque, speed of rotation and flow rate required for a specific application can be calculated using the formulas on page [35](#)

Efficiencies for a particular motor may vary from the shown in the diagram depending on the operating conditions.

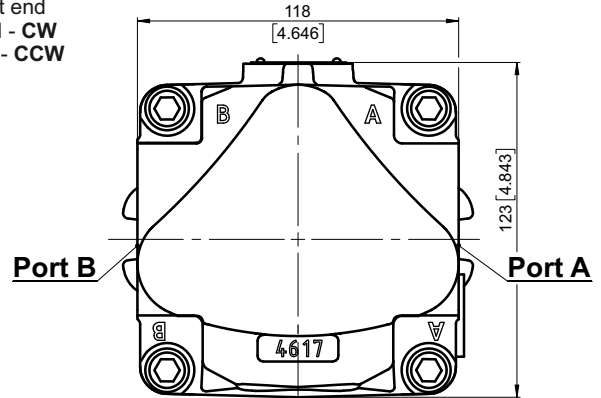


OVERALL DIMENSIONS AND PORTS

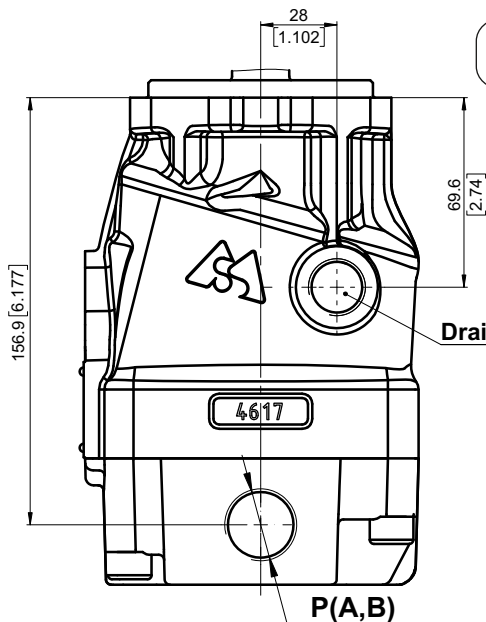
Side Ports - Default Mounting Flange - Type SAE-A



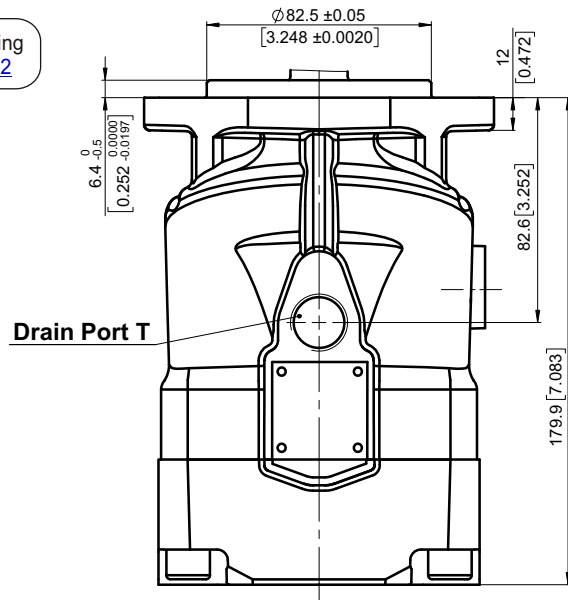
Standard Rotation
Viewed from shaft end
Port A Pressurized - CW
Port B Pressurized - CCW
see page 31



Side ports, port size 2,3,4,6,7 and 8

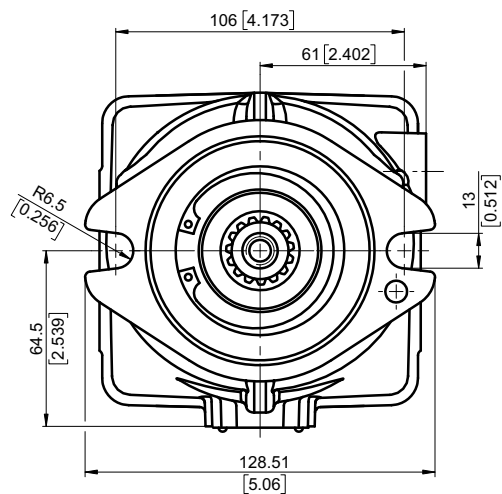
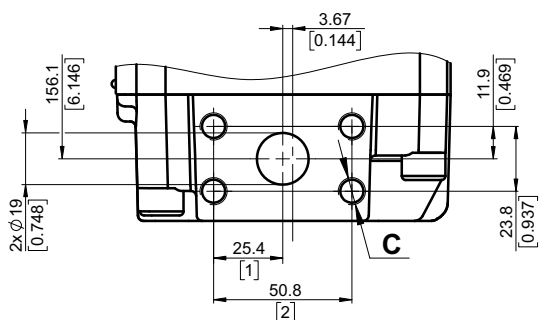


Shaft Mounting
see page 12

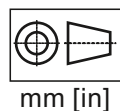


	Port Size					
	2	3	4	6	7	8
P _(A,B)	2xG 3/4	2xM27x2	2x1 1/16-12UN	2xG 1/2	2xM22x1.5	2x 7/8-14UNF
T	G 1/2	M18x1.5	7/8-14UNF	G 1/2	M18x1.5	3/4-16UNF

Side ports, port size default, 5 and 9



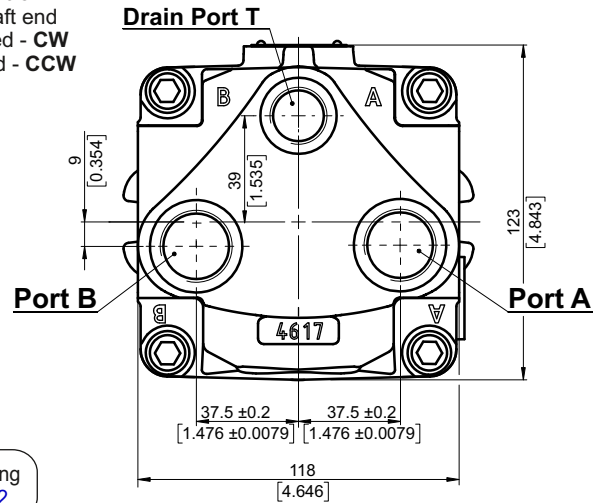
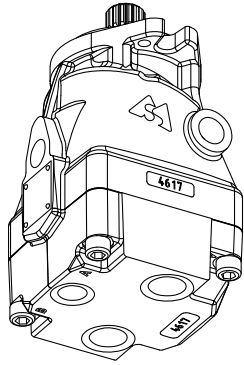
	Port Size		
	default	5	9
P _(A,B)	2xISO 6162-2 DN19	2xSAE J518 3/4 PSI6000	2xISO 6162-2 DN19
T	M18x1.5	7/8-14 UNF	G1/2
C	8xM10	8x3/8-16 UNC	8xM10



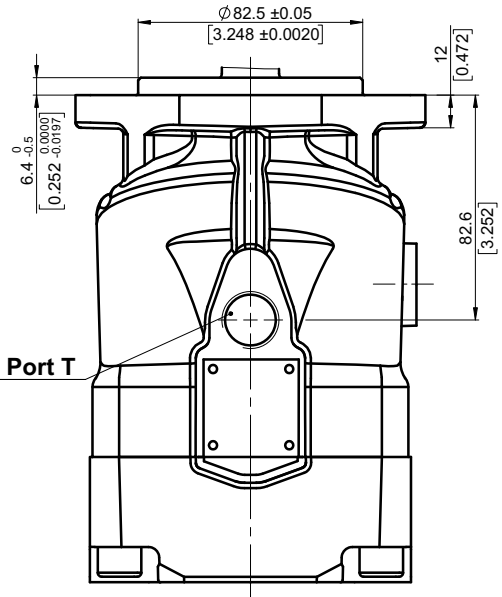
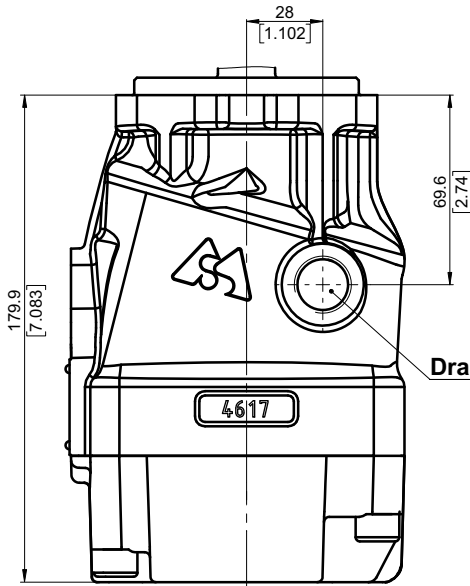


OVERALL DIMENSIONS AND PORTS
Rear Ports - Type E Mounting Flange - Type **SAE-A**
Side ports, port size 2,3,4,6,7 and 8
See the port sizes at the bottom of this page

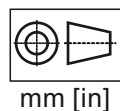
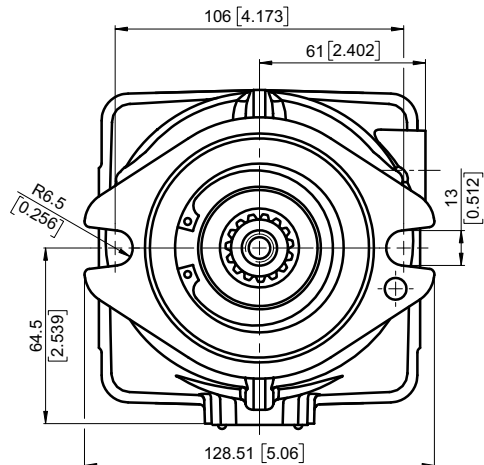
Standard Rotation
Viewed from shaft end
Port A Pressurized - CW
Port B Pressurized - CCW
see page 31



Shaft Mounting
see page 12



	Port Size					
	2	3	4	6	7	8
P _{A,B}	2xG 3/4	2xM27x2	2x1 1/16-12UN	2xG 1/2	2xM22x1.5	2x 7/8-14UNF
T	G 1/2	M18x1.5	7/8-14UNF	G 1/2	M18x1.5	3/4-16UNF



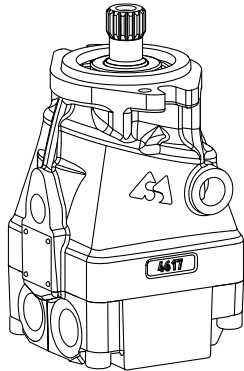


OVERALL DIMENSIONS AND PORTS

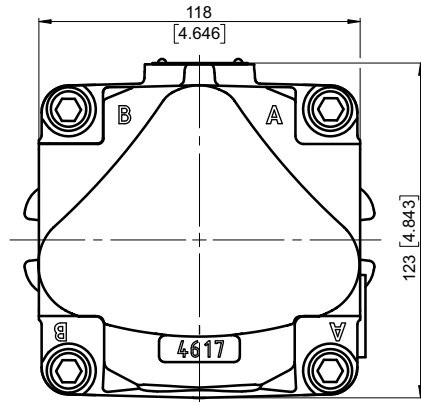
Twin Side Ports - Type T Mounting Flange - Type SAE-A

Side ports, port size 2,3,4,6,7 and 8

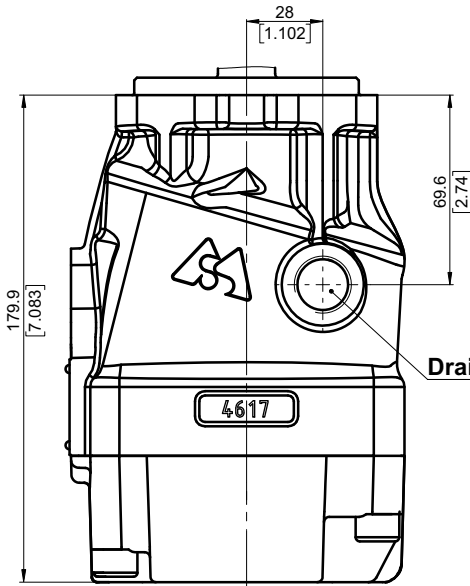
See the port sizes at the bottom of this page



Standard Rotation
Viewed from shaft end
Port A Pressurized - CW
Port B Pressurized - CCW
see page 31

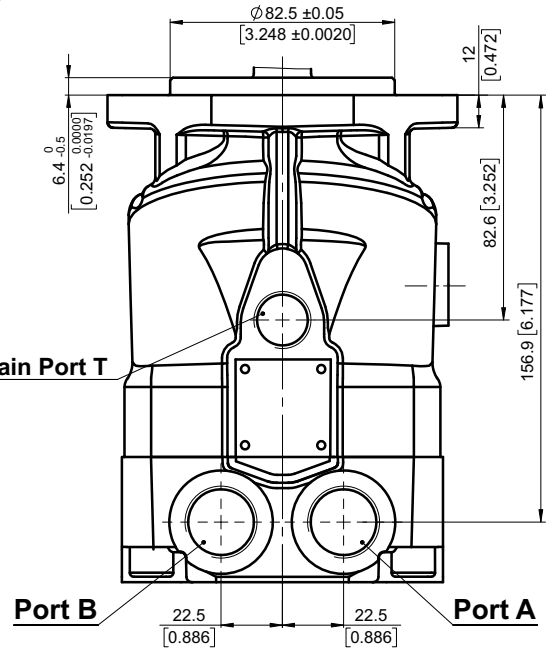


Shaft Mounting
see page 12



Drain Port T

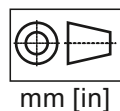
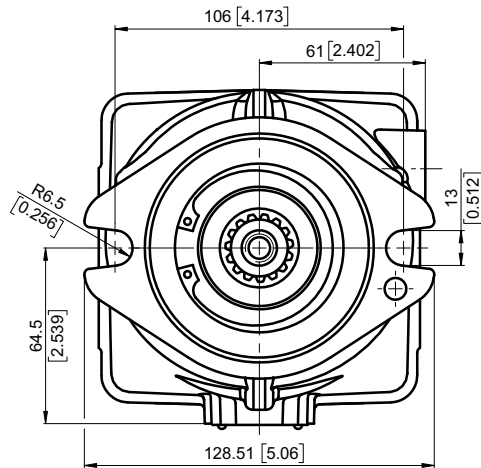
Drain Port T



Port B

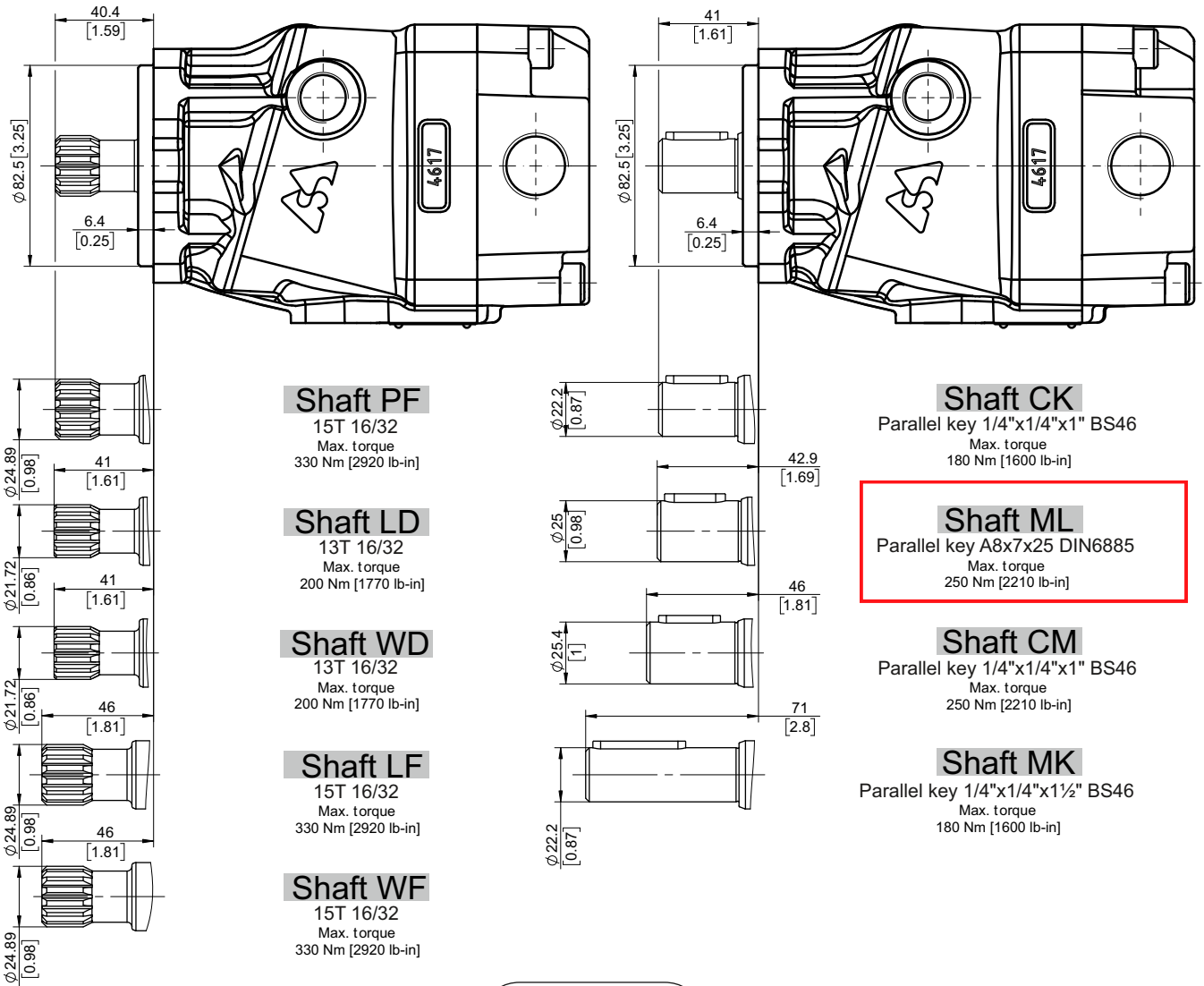
Port A

		Port Size					
		2	3	4	6	7	8
P _{A,B}		2xG 3/4	2xM27x2	2x1 1/16-12UN	2xG 1/2	2xM22x1.5	2x 7/8-14UNF
T		G 1/2	M18x1.5	7/8-14UNF	G 1/2	M18x1.5	3/4-16UNF





SHAFTS MOUNTING
Mounting Flange-Type **SAE-A**



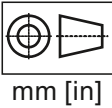
Shaft Dimensions
See Page [24+27](#)

PERMISSIBLE SHAFT LOAD

Permissible shaft load		
max Axial	N[lb]	Fa=800 [180]
max Radial	N[lb]	Fr=250 [56]

The calculated max values are based on the optimal direction of the forces Fr, Fa and optimal position of the shaft (see page [31](#)).

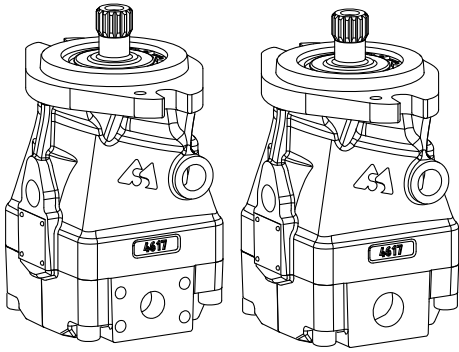
For more information, please, feel free to contact us.



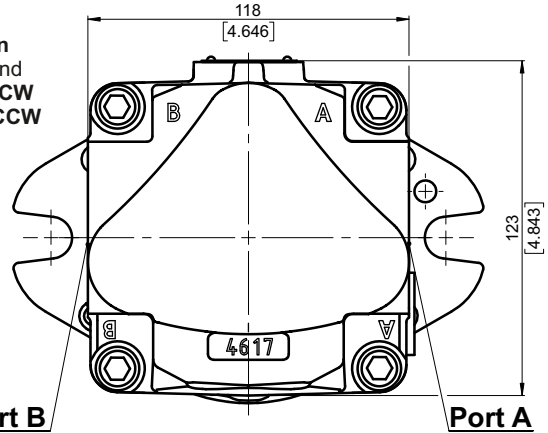


OVERALL DIMENSIONS AND PORTS

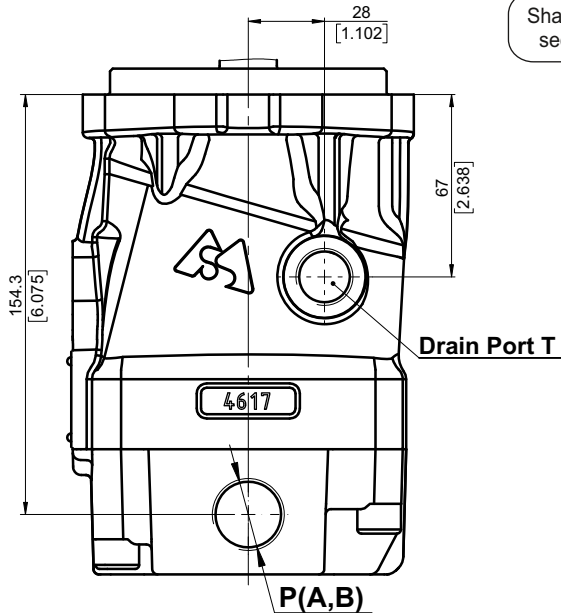
Side Ports - Default Mounting Flange - Type SAE-B



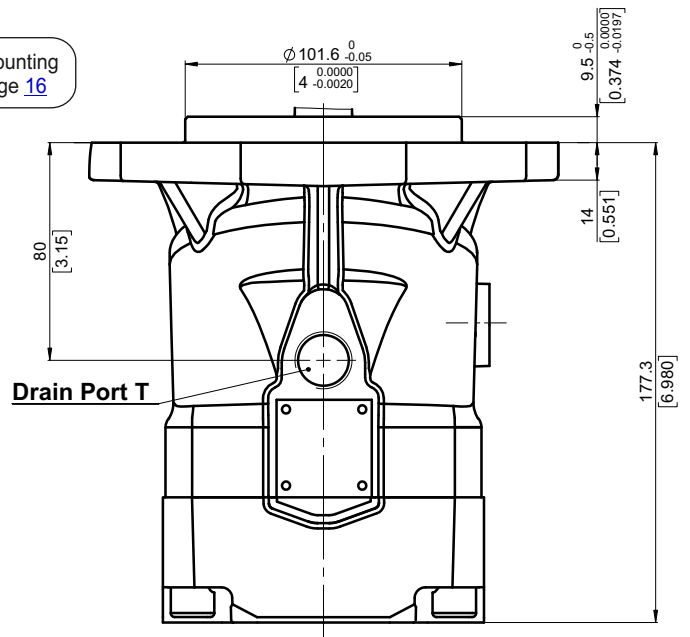
Standard Rotation
Viewed from shaft end
Port A Pressurized - CW
Port B Pressurized - CCW
see page 31



Side ports, port size 2,3,4,6,7 and 8

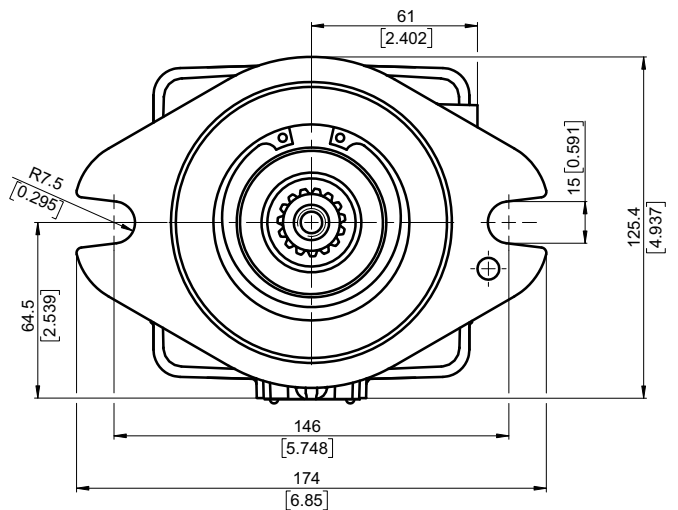
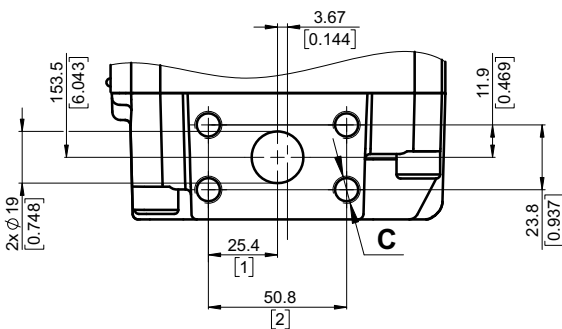


Shaft Mounting
see page 16

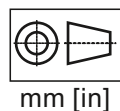


	Port Size					
	2	3	4	6	7	8
P _(A,B)	2xG 3/4	2xM27x2	2x1 ¹ / ₁₆ -12UN	2xG 1/2	2xM22x1.5	2x ³ / ₈ -14UNF
T	G 1/2	M18x1.5	⁷ / ₈ -14UNF	G 1/2	M18x1.5	³ / ₄ -16UNF

Side ports, port size default, 5 and 9



	Port Size		
	default	5	9
P _(A,B)	2xISO 6162-2 DN19	2xSAE J518 3/4 PSI6000	2xISO 6162-2 DN19
T	M18x1.5	7/8-14 UNF	G1/2
C	8xM10	8x3/8-16 UNC	8xM10





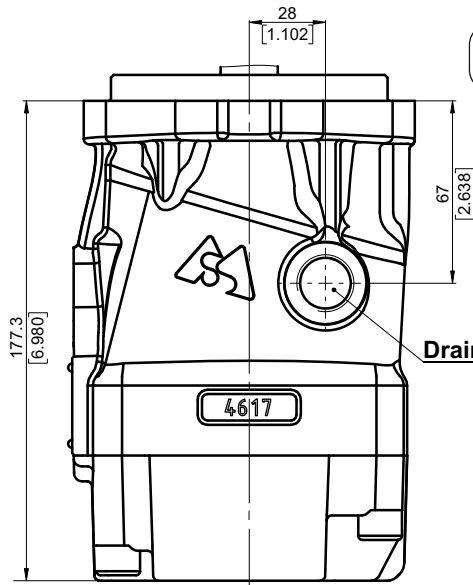
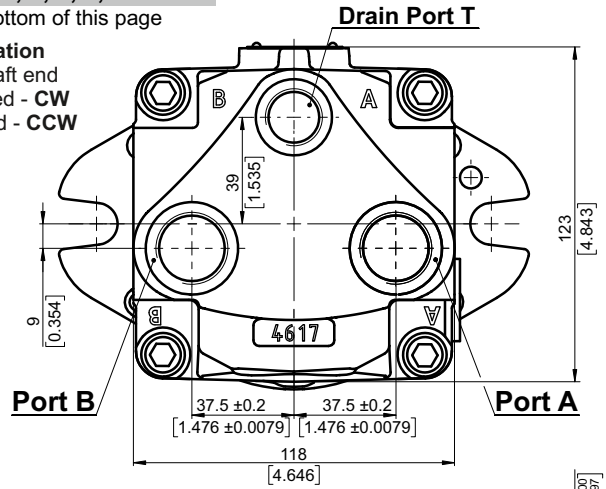
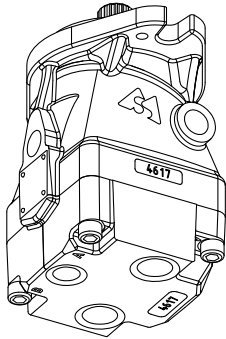
OVERALL DIMENSIONS AND PORTS

Rear Ports - Type E Mounting Flange - Type SAE-B

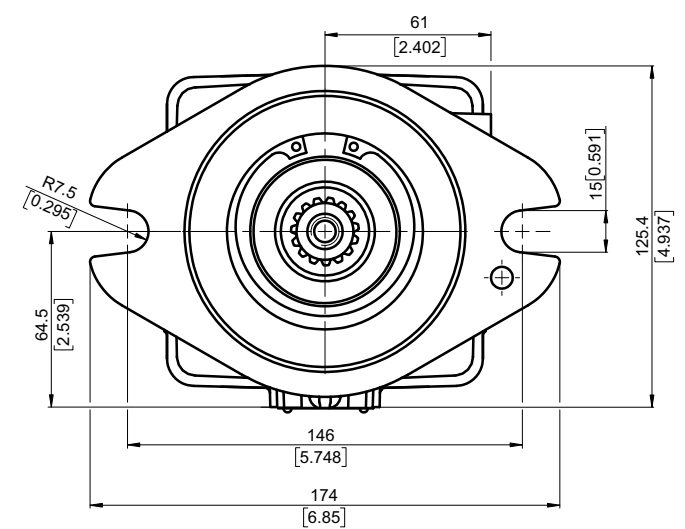
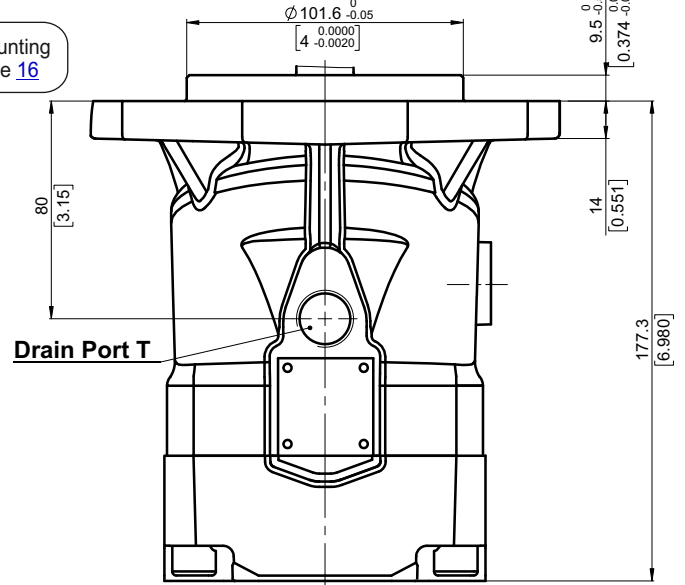
Side ports, port size 2,3,4,6,7 and 8

See the port sizes at the bottom of this page

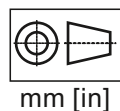
Standard Rotation
Viewed from shaft end
Port A Pressurized - CW
Port B Pressurized - CCW
see page 31



Shaft Mounting
see page 16



	Port Size					
	2	3	4	6	7	8
P _{A,B}	2xG 3/4	2xM27x2	2x1 1/16-12UN	2xG 1/2	2xM22x1.5	2x 7/8-14UNF
T	G 1/2	M18x1.5	7/8-14UNF	G 1/2	M18x1.5	3/4-16UNF





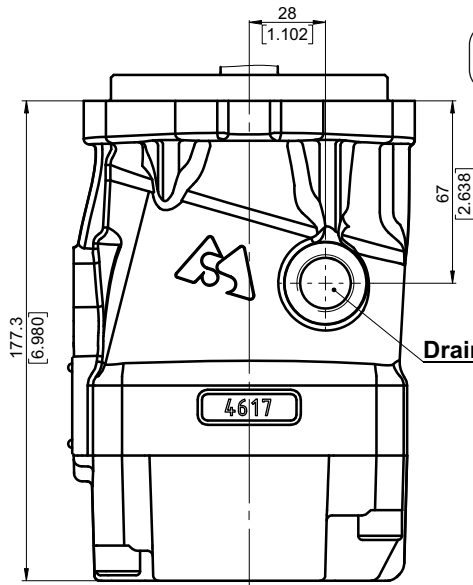
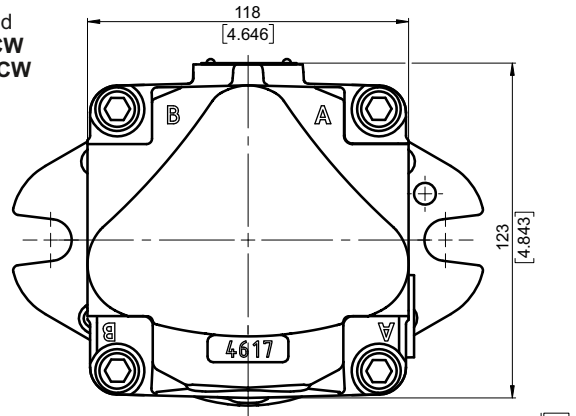
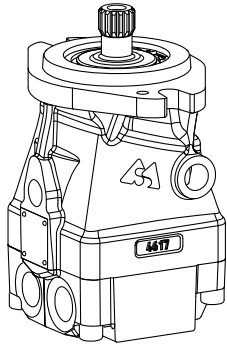
OVERALL DIMENSIONS AND PORTS

Twin Side Ports - Type T Mounting Flange - Type SAE-B

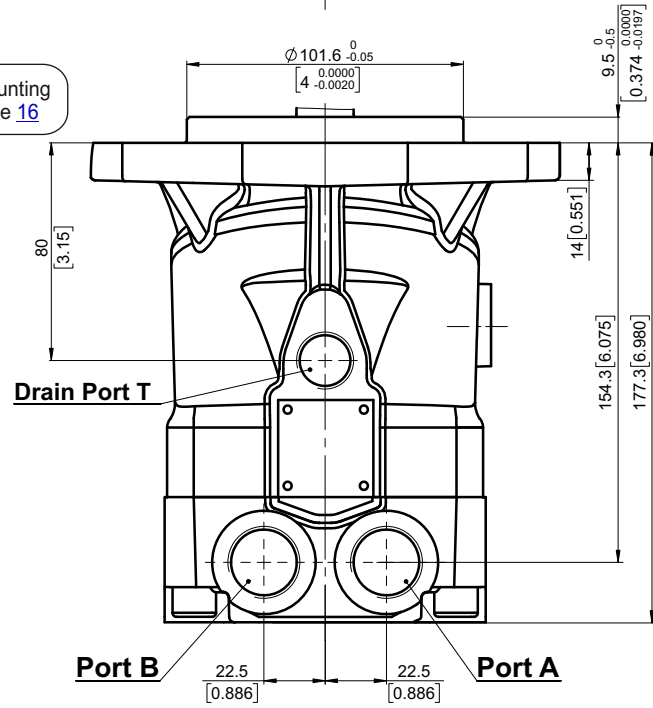
Side ports, port size 2,3,4,6,7 and 8

See the port sizes at the bottom of this page

Standard Rotation
Viewed from shaft end
Port A Pressurized - CW
Port B Pressurized - CCW
see page 31

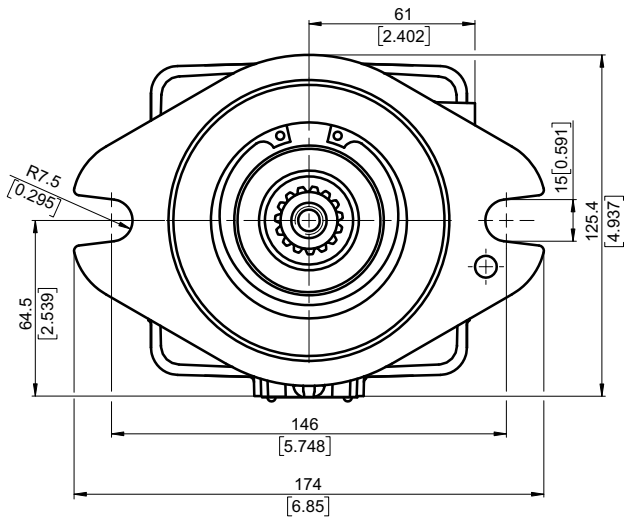


Shaft Mounting
see page 16

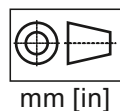


Drain Port T Drain Port T

Port B Port A



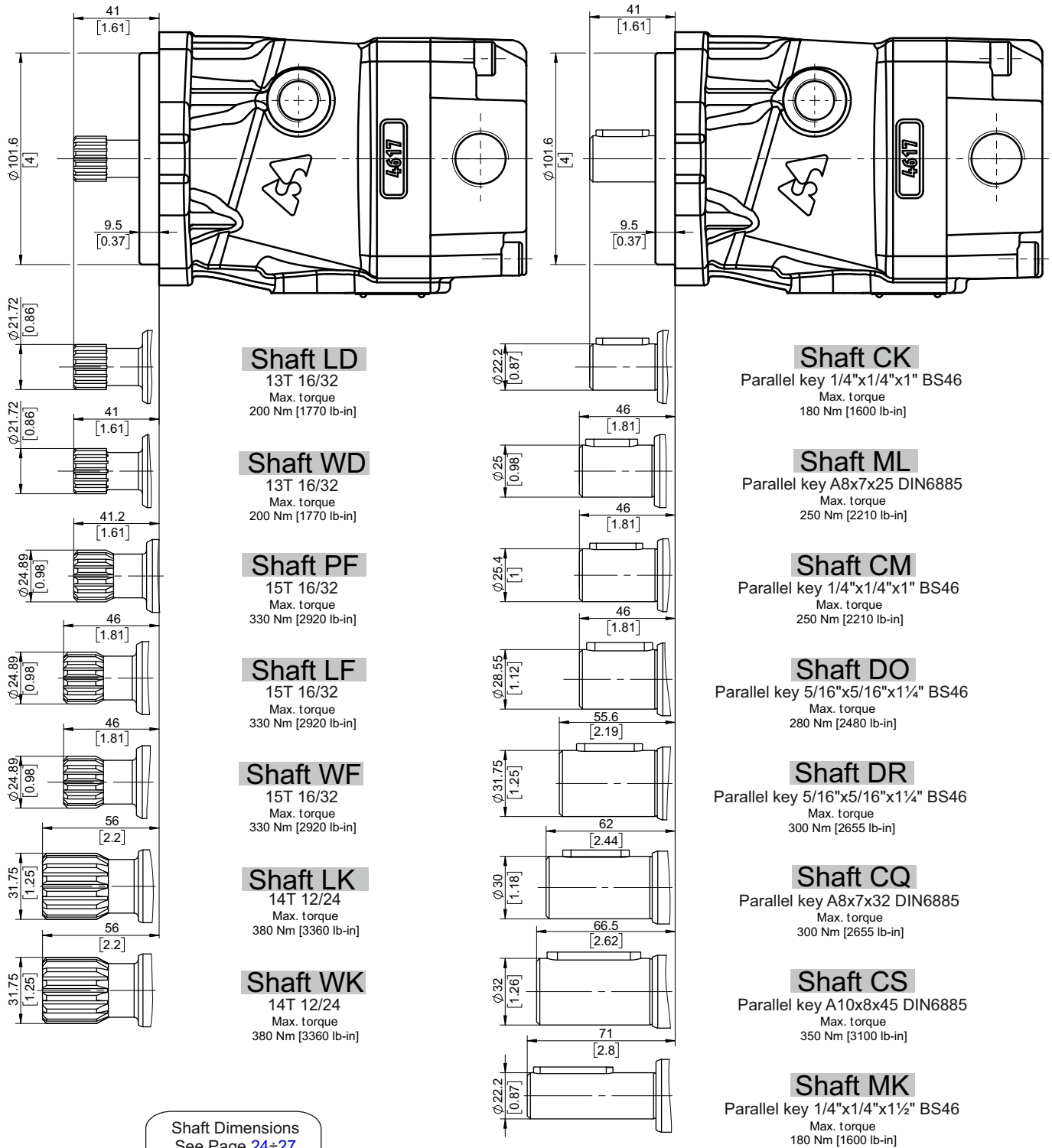
	Port Size					
	2	3	4	6	7	8
P _{A,B}	2xG 3/4	2xM27x2	2x1 1/16-12UN	2xG 1/2	2xM22x1.5	2x 7/8-14UNF
T	G 1/2	M18x1.5	7/8-14UNF	G 1/2	M18x1.5	3/4-16UNF





SHAFTS MOUNTING

Mounting Flange-Type SAE-B



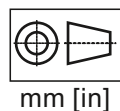
Shaft Dimensions
See Page 24+27

PERMISSIBLE SHAFT LOAD

Permissible shaft load		
max Axial	N[lb]	Fa=1000 [225]
max Radial	N[lb]	Fr=300 [68]

The calculated max values are based on the optimal direction of the forces Fr, Fa and optimal position of the shaft (see page 31).

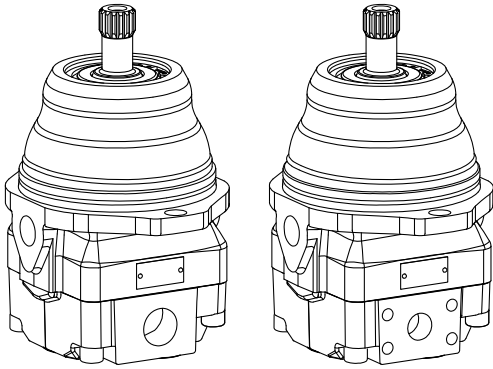
For more information, please, feel free to contact us.



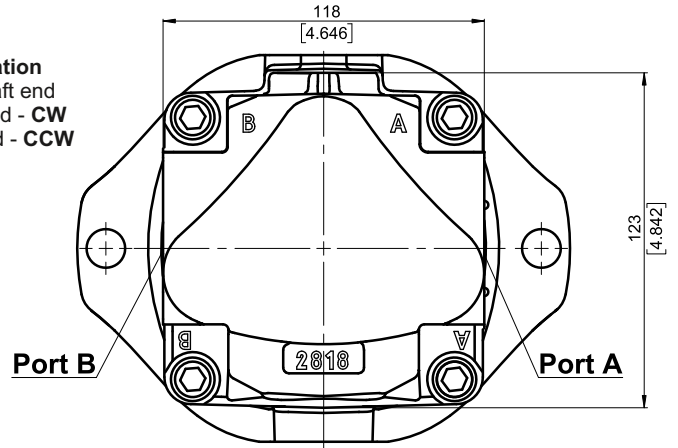


OVERALL DIMENSIONS AND PORTS

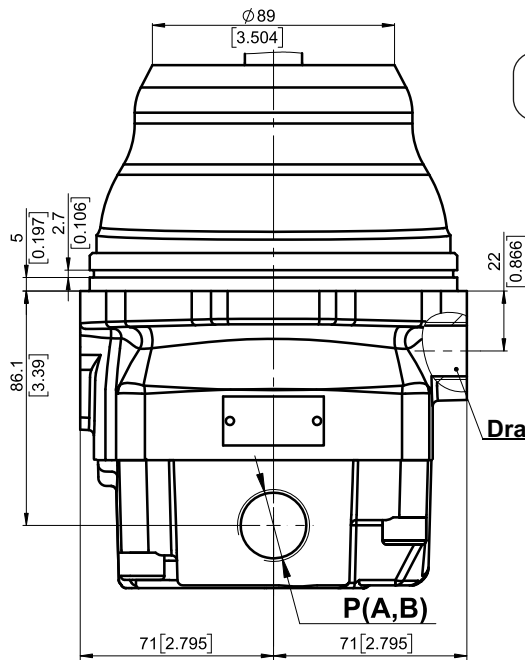
Side Ports - Default Mounting Flange - Cartage Type WP



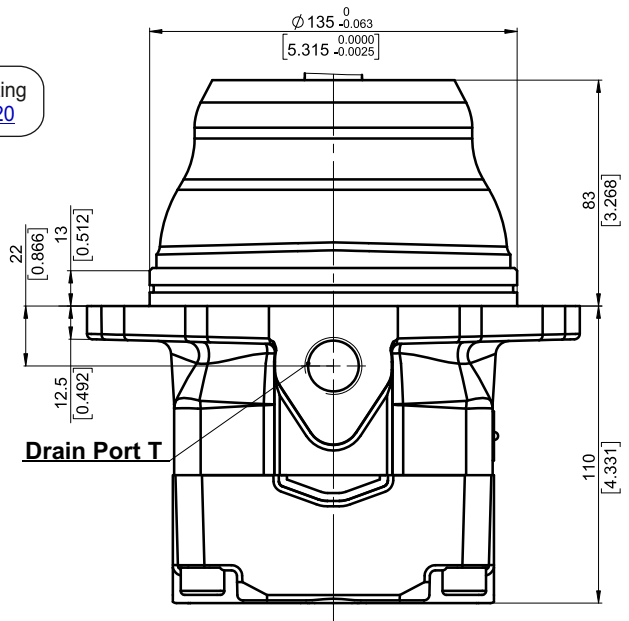
Standard Rotation
Viewed from shaft end
Port A Pressurized - CW
Port B Pressurized - CCW
see page 31



Side ports, port size 2,3,4,6,7 and 8

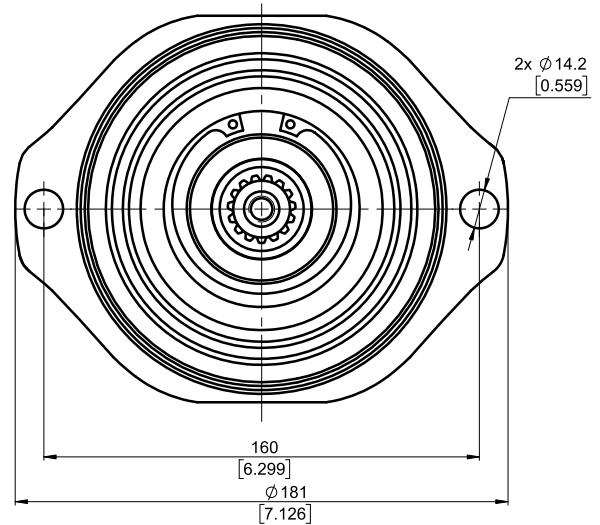
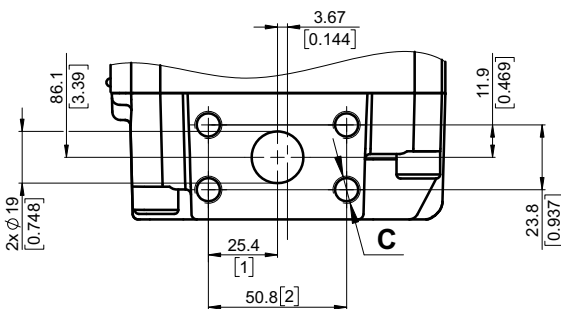


Shaft Mounting
see page 20

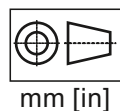


	Port Size					
	2	3	4	6	7	8
P _(A,B)	2xG 3/4	2xM27x2	2x1 ¹ / ₄ -12UN	2xG 1/2	2xM22x1.5	2x ⁷ / ₈ -14UNF
T	G 1/2	M18x1.5	⁷ / ₈ -14UNF	G 1/2	M18x1.5	³ / ₄ -16UNF

Side ports, port size default, 5 and 9



	Port Size		
	default	5	9
P _(A,B)	2xISO 6162-2 DN19	2xSAE J518 3/4 PSI6000	2xISO 6162-2 DN19
T	M18x1.5	7/8-14 UNF	G1/2
C	8xM10	8x3/8-16 UNC	8xM10





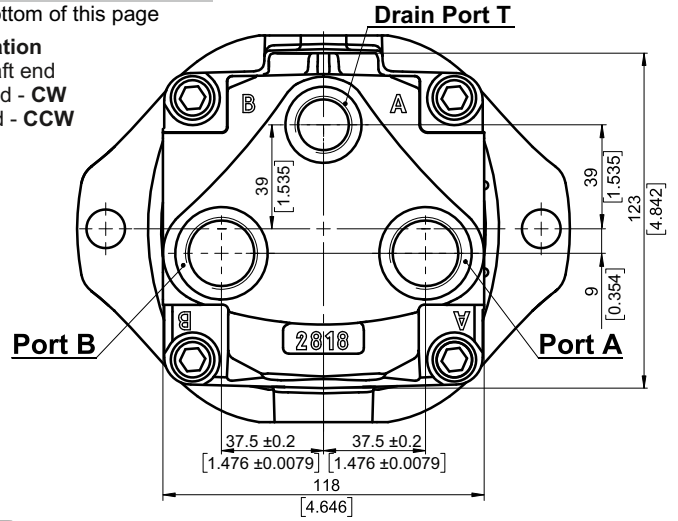
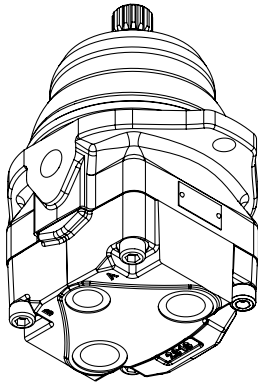
OVERALL DIMENSIONS AND PORTS

Rear Ports - Type E Mounting Flange - Cartage Type WP

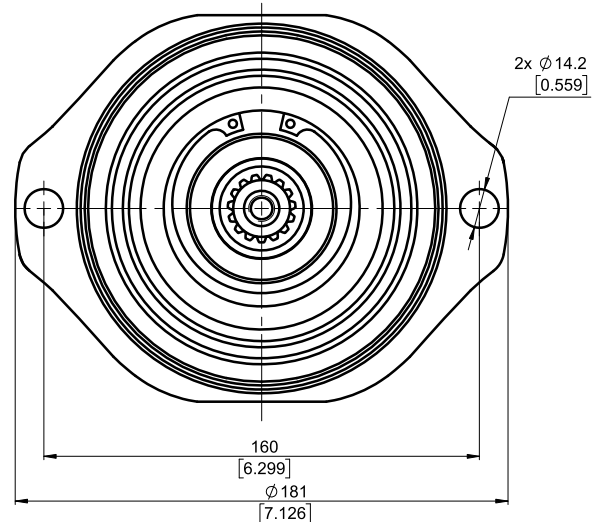
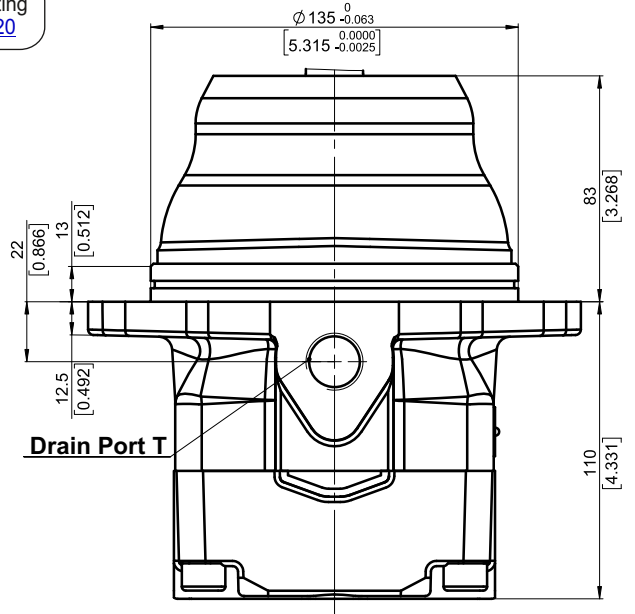
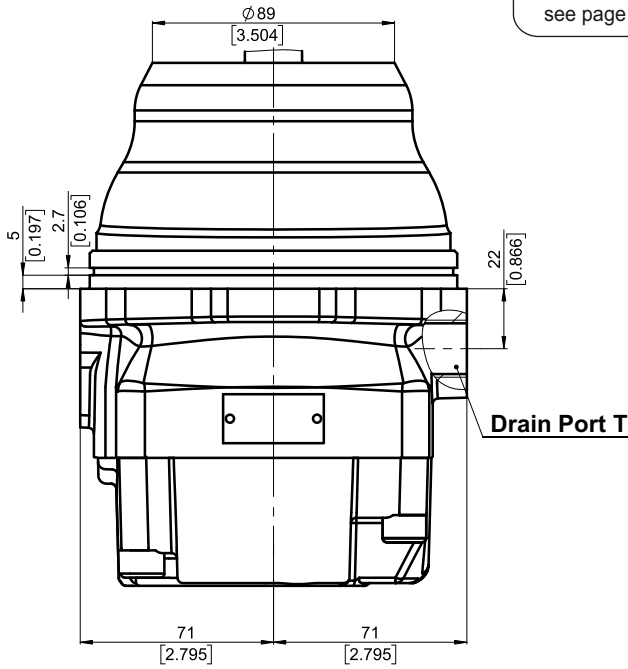
Side ports, port size 2,3,4,6,7 and 8

See the port sizes at the bottom of this page

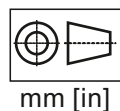
Standard Rotation
Viewed from shaft end
Port A Pressurized - CW
Port B Pressurized - CCW
see page 31



Shaft Mounting
see page 20



	Port Size					
	2	3	4	6	7	8
P _{A,B}	2xG 3/4	2xM27x2	2x1 ¹ / ₁₆ -12UN	2xG 1/2	2xM22x1.5	2x ⁷ / ₈ -14UNF
T	G 1/2	M18x1.5	⁷ / ₈ -14UNF	G 1/2	M18x1.5	³ / ₄ -16UNF





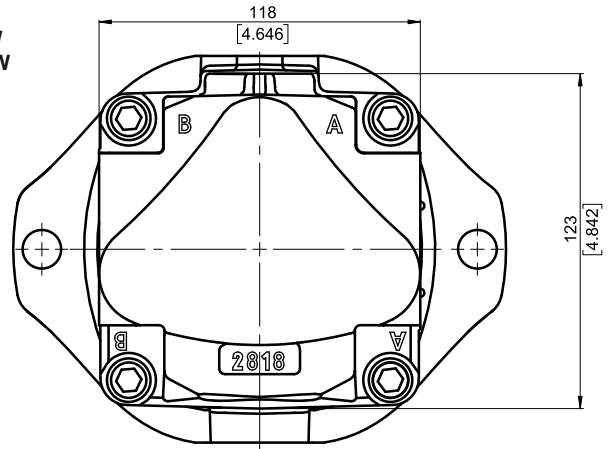
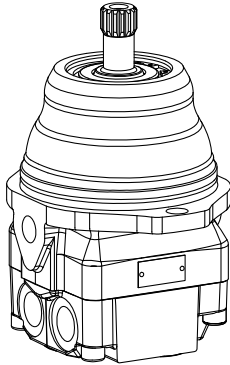
OVERALL DIMENSIONS AND PORTS

Twin Side Ports - Type T Mounting Flange - Cartage Type WP

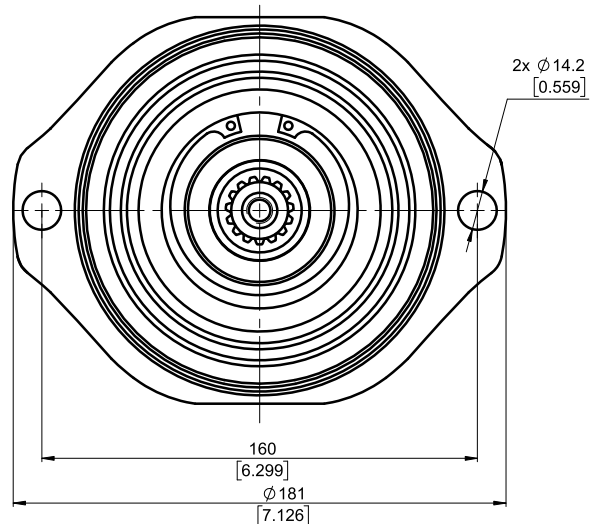
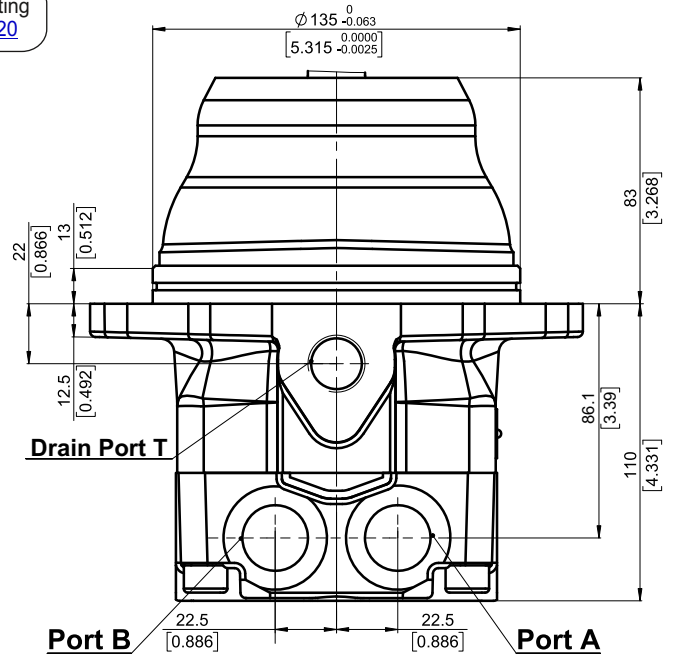
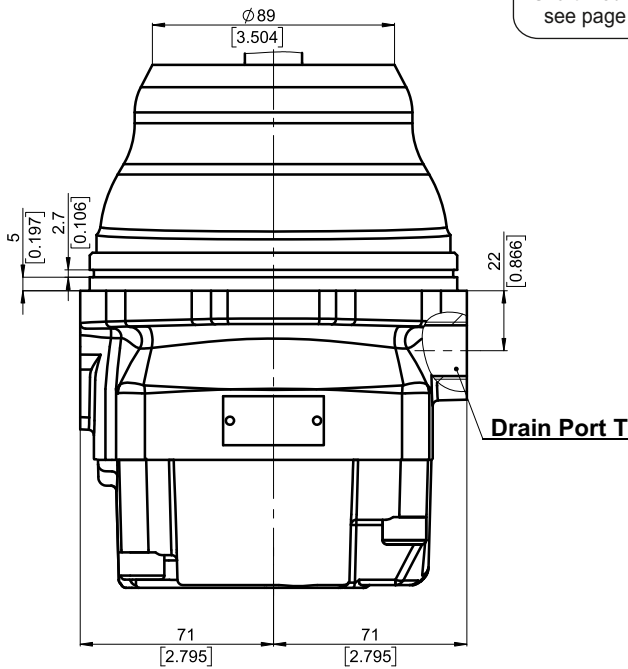
Side ports, port size 2,3,4,6,7 and 8

See the port sizes at the bottom of this page

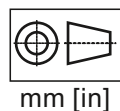
Standard Rotation
Viewed from shaft end
Port A Pressurized - CW
Port B Pressurized - CCW
see page 31

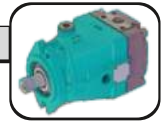


Shaft Mounting
see page 20



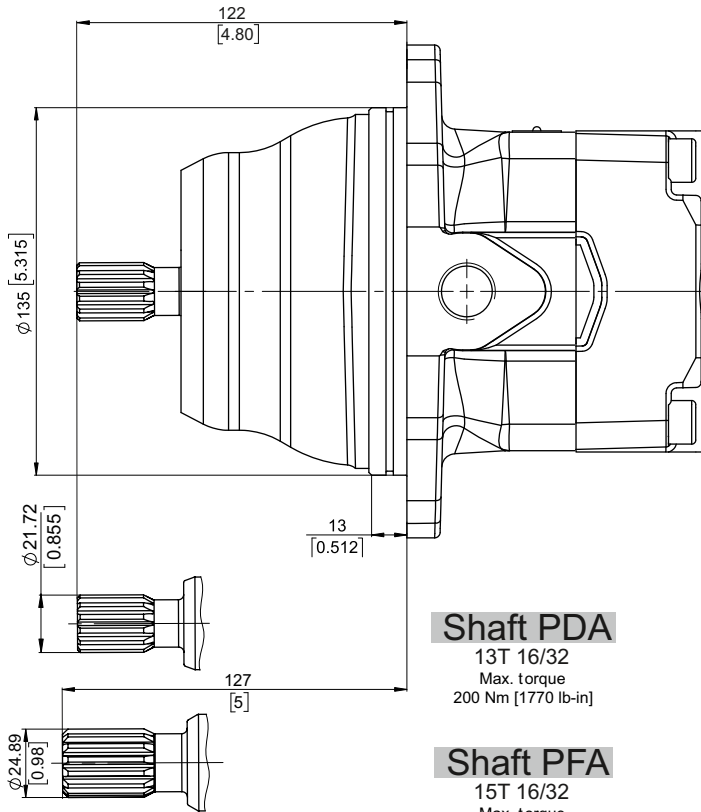
	Port Size					
	2	3	4	6	7	8
P _{A,B}	2xG 3/4	2xM27x2	2x1 ¹ / ₁₆ -12UN	2xG 1/2	2xM22x1.5	2x ⁷ / ₈ -14UNF
T	G 1/2	M18x1.5	⁷ / ₈ -14UNF	G 1/2	M18x1.5	³ / ₄ -16UNF





SHAFTS MOUNTING

Mounting Flange-Type Cartage Type WP

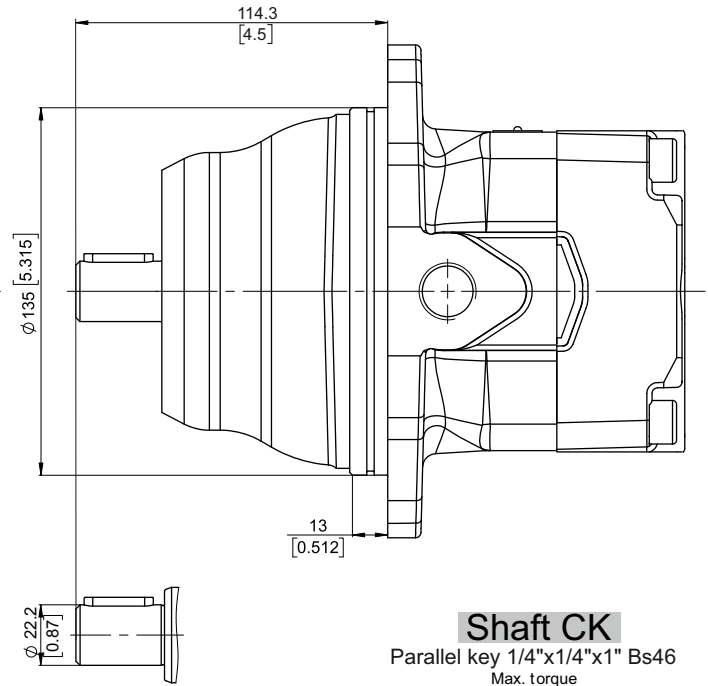


Shaft PDA

13T 16/32
Max. torque
200 Nm [1770 lb-in]

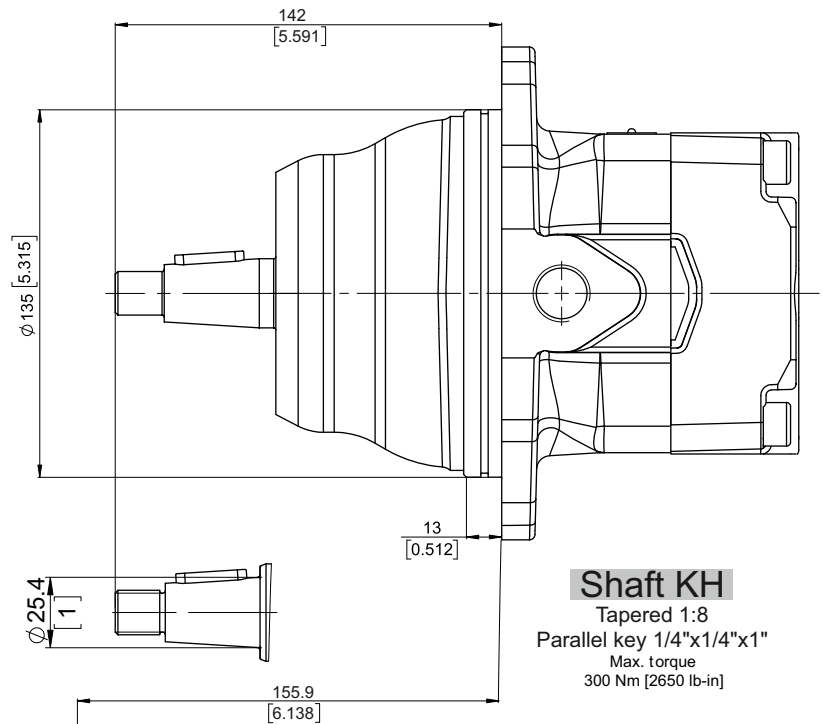
Shaft PFA

15T 16/32
Max. torque
330 Nm [2920 lb-in]



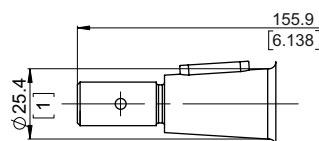
Shaft CK

Parallel key 1/4"x1/4"x1" Bs46
Max. torque
180 Nm [1600 lb-in]



Shaft KH

Tapered 1:8
Parallel key 1/4"x1/4"x1"
Max. torque
300 Nm [2650 lb-in]



Shaft KHA

Tapered 1:8
Parallel key 1/4"x1/4"x1"
Max. torque
300 Nm [2650 lb-in]

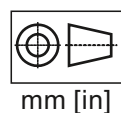
Shaft Dimensions
See Page 24+27

PERMISSIBLE SHAFT LOAD

Permissible shaft load		
max Axial	N[lb]	Fa=1000 [225]
max Radial	N[lb]	Fr=300 [68]

The calculated max values are based on the optimal direction of the forces Fr, Fa and optimal position of the shaft (see page 31).

For more information, please, feel free to contact us.





ORDERING CODE

	1	2	3	4	5	6	7	8	9	10	11	12	13	14	14	14
M A M														[]

Pos.1 - Mounting Flange

- A** - SAE A, 2-Bolt flange, spigot dia. 82.5[3.25"]
Bolt circle 106.35 [4.19"]
- B** - SAE B, 2-Bolt flange, spigot dia.101.6 mm [4"]
Bolt circle 146 mm [5.75"]
- WP** - WP, 2-Bolt cartage flange, spigot dia.135 mm [5.315"]
Bolt circle 160 mm [6.3"]

Pos.2 - Port Type

- omit - Side ports on opposite sides
- T** - Twin (Two) side ports on one side
- E** - Rear ports

Pos.3 - Displacement Code

- 20** - 20.5 cm³/rev [1.25 in³/rev]
- 22** - 22.9 cm³/rev [1.4 in³/rev]
- 25** - 24.5 cm³/rev [1.49 in³/rev]
- 28** - 27.9 cm³/rev [1.7 in³/rev]
- 35** - 34.5 cm³/rev [2.11 in³/rev]
- 40** - 39.4 cm³/rev [2.4 in³/rev]
- 46** - 46.1 cm³/rev [2.81 in³/rev]
- 50** - 49.2 cm³/rev [3 in³/rev]

Pos.4 - Shaft Extensions**

- WD** - ø21.72 [0.855"] Spline SAE 13T 16/32 DP, M8
- LD** - ø21.72 [0.855"] Spline SAE 13T 16/32 DP,
5/16-18 UNC thread
- PDA** - ø21.72 [0.855"] Spline SAE 13T 16/32 DP,
1/4-20 UNC thread
- WF** - ø24.9 [0.98"] Spline SAE 15T 16/32, M8 thread
- PF** - ø24.9 [0.98"] Spline SAE 15T 16/32, 3/8-16UNC
- LF** - ø24.9 [0.98"] Spline SAE 15T 16/32, 3/8-16UNC
- PFA** - ø24.9 [0.98"] Spline SAE 15T 16/32, 3/8-16UNC
- WK** - ø31.75 [1.25"] Spline SAE 14T 12/24 DP, M10
- LK** - ø31.75 [1.25"] Spline SAE 14T 12/24 DP,
7/16-14UNC thread
- CK** - ø22.2 [ø7/8"] Straight, M8 thread
Parallel key 1/4"x1/4"x1" BS46
- MK** - ø22.2 [ø7/8"] Straight, M8 thread
Parallel key 1/4"x1/4"x1 1/2" BS46
- ML** - ø25 [ø0.984"] Straight, M8 thread
Parallel key A8x7x25 DIN6885
- CM** - ø25.4 [ø1"] Straight, M8 thread
Parallel key 1/4"x1/4"x1" BS46
- DO** - ø28.57 [ø1.125"] Straight, 3/8-16UNC
Parallel key 5/16"x5/16"x1 1/4" BS46
- CQ** - ø30 [ø1.181"] Straight, M8 thread
Parallel key A8x7x32 DIN6885
- DR** - ø31.75 [ø1.25"] Straight, 3/8-16UNC
Parallel key 5/16"x5/16"x1 1/4" BS46
- CS** - ø32 [ø1.26"] Straight, M8 thread
Parallel key A10x8x45 DIN6885
- KH** - ø25.4 [1"] Tapered 1:8 [125:1000],
Parallel key 1/4"x1/4"x1", M16x1.5
- KHA** - ø25.4 [1"] Tapered 1:8 [125:1000],
Parallel key 1/4"x1/4"x1", M16x1.5

Shafts type WK, LK, DO, DR, CQ, and CS are only for Pos.1 option **B**
Shafts type PDA, PFA, KH, and KHA are only for Pos.1 option **WP**

Pos.5 - Improved radial load

- omit - standard bearing
- N** - Improved bearing

Pos.6 - Port Size

- omit - 2xISO 6162-2 DN19, drain port M18x1.5
- 2** - 2xG3/4, drain ports G1/2
- 3** - 2xM27x2, drain ports M18x1.5
- 4** - 2x1_1/16 -12 UN, drain ports 7/8-14 UNF
- 5** - 2xSAE 3/4" PSI6000, drain port 7/8-14 UNF
- 6** - 2xG1/2, drain ports G1/2
- 7** - 2xM22x1.5, drain ports M18x1.5
- 8** - 2x7/8-14 UNF Ports, drain ports 3/4-16 UNF
- 9** - 2xISO 6162-2 DN19, drain port G1/2

Options omit, 5 and 9 are not available for Pos.2 option **T** and **E**

Pos.7 - Seal, Corrosion Resistant Seal Surface

- omit - NBR seal type material
- V** - FKM seal type material

Pos.8 - Integrated Valves

See next page for information about valves

- omit - None
- HR** - Single anti-cavitation valve
- AR** - Dual anti-cavitation valve
- PU** - Purge valve
- FLU** - Flush valve
- SAR** - Single anti-cavitation and relief valve
- DAR** - Dual anti-cavitation and relief valve
- DARP** - Dual anti-cavitation, relief and purge valve
- DARF** - Dual anti-cavitation, relief and flush valve

Pos.9 - Valve's Port for Single Valves

- omit - None
- A** - Port A
- B** - Port B

Pos.10 - Pressure Setting of Integrated Valves

- omit - None
- x** - For value - see next page

Pos.11 - Flow Setting of Integrated Valves

- omit - None
- Lx** - For value - see next page

Pos.12 - Special Features*

- omit - None
- R2S** - Speed Sensor Two Directional (see page 28)
- RS** - Speed Sensor (see page 28)

Pos.13 - Paint and Coating

- omit - No paint or coating
- P** - Painted
- PC** - Corrosion protected paint

If a painting option is required, the standard color is black-Alkyd-Styrenated Enamel, Black RAL 9005.
Other color by customer's request.

Pos.14 - Design Series

- omit - Factory specified

**The permissible output torque for shafts must not be exceeded!

EXAMPLE

M A M B E 40 W D 4 P []

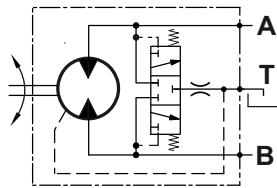




VALVE OPTIONS

The overall dimensions of the motor with integrated valves could vary compared to the standard motors.

Option PU
PURGE VALVE



- Mainly used in open loop circuit;
- Used for cooling purpose or oil cleanliness requirements;
- Flow rate by **default (omit)** - 3 ÷ 7 l/min
- For other options, please see Pos.10 of ordering code, considering the following possible values:

Pos.10

omit	L3.5	L5.5
------	------	------

 → flow rate

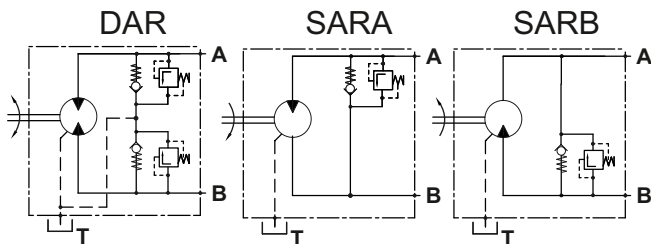
EXAMPLE

MAMB46LF2PU purge valve flow rate 5±2 l/min
MAMB46LF2PUL3.5 purge valve flow rate 3.5±1 l/min
MAMB46LF2PUL5.5 purge valve flow rate 5.5±1 l/min

Option DAR, SARA, SARB

Combined Anti-Cavitation and Relief Valve

- Anti-cavitation check valve is used for applications such as Fan drive control;
- Pressure relief valves prevent excessive pressures in the high pressure loop.



Please, consider the following possible values:

Pos.9

200	250	300
-----	-----	-----

 → pressure

EXAMPLE

MAMB46LF2DAR200

Double Anti-Cavitation and Relief Valve, relief valve setting 200 bar

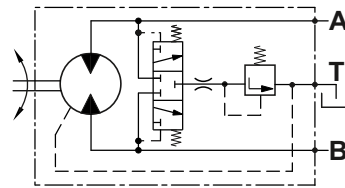
MAMB46LF2SARA250

Single Anti-Cavitation and Relief Valve, relief valve setting 250 bar
The valve is placed on port A

MAMB46LF2SARB300

Single Anti-Cavitation and Relief Valve, relief valve setting 300 bar
The valve is placed on port B

Option FLU
FLUSH VALVE



- Mainly used in close loop circuit;
- The valve is a combination between a purge valve and check valve;
- Flow rate by **default (omit)** - 3 ÷ 7 l/min
- **and charge (opening) pressure 16 bar** with 20 bar feed pressure for close loop circuit;
- For other options, please see Pos.9 and Pos. 10 of ordering code, considering the following possible values:

Pos.9

omit	10
------	----

 → pressure

Pos.10

omit	L3.5	L5.5
------	------	------

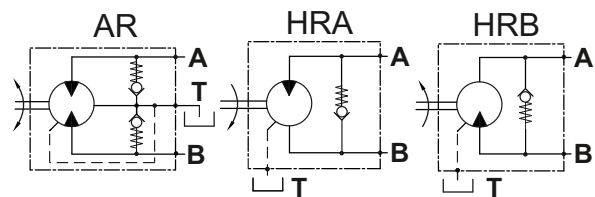
 → flow rate

EXAMPLE

MAMB46LF2FLU flow rate 5±2 l/min, charge pressure 16 bar
MAMB46LF2FLU10L5.5 flow rate 5.5±1 l/min, charge pressure 10 bar
MAMB46LF2FLUL3.5 flow rate 3.5±1 l/min, charge pressure 16 bar

Option AR, HRA, HRB
Anti-Cavitation Valve

- Anti-cavitation check valve is used for applications such as Fan drive control.



EXAMPLE

MAMB46LF2AR

Double Anti-Cavitation Valve

MAMB46LF2HRA

Single Anti-Cavitation Valve, the valve is placed on port A

MAMB46LF2HRB

Single Anti-Cavitation Valve, the valve is placed on port B

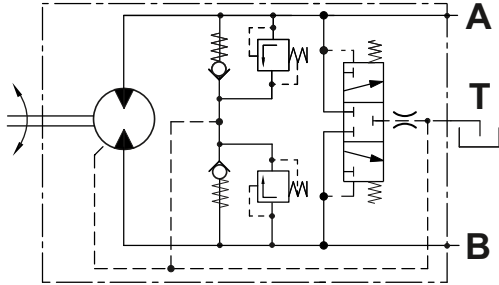


VALVE OPTIONS

The overall dimensions of the motor with integrated valves could vary compared to the standard motors.

Option DARP

Dual Anti-Cavitation, Relief and Purge Valve



- Mainly used in open loop circuit;
- The valve is a combination between a dual anti-cavitation, relief and purge valve;
- Purge Valve is used for cooling purpose or cleanliness requirements;
- Anti-Cavitation Check Valve is used for applications such as Fan drive control;
- Pressure relief valves prevent excessive pressures in the high pressure loop;
- Please, consider the following possible values for pressure set of the relief valve:

Pos.9

200	250	300
-----	-----	-----

 → pressure

- Flow rate of purge valve by **default (omit) - 3 ÷ 7 l/min**. The possible values are as follow:

Pos.10

omit	L3.5	L5.5
------	------	------

 → flow rate

EXAMPLE

MAMB46LF2DARP200

Double Anti-Cavitation, Relief and Purge Valve, relief valve setting 200 bar, purge valve flow rate 5±2 l/min

MAMB46LF2DARP250L3.5

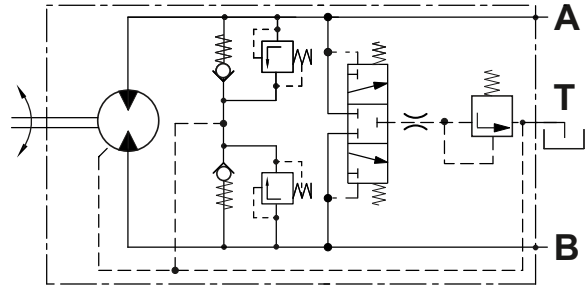
Double Anti-Cavitation, Relief and Purge Valve, relief valve setting is 250 bar, purge valve flow rate 3.5±1 l/min

MAMB46LF2DARP300L5.5

Double Anti-Cavitation, Relief and Purge Valve, relief valve setting 300 bar, purge valve flow rate 5.5±1 l/min

Option DARF

Dual Anti-Cavitation, Relief and Flush Valve



- Mainly used in close loop circuit;
- The valve is a combination between a dual anti-cavitation, relief and flush valve;
- Flush valve is used for cooling purpose or cleanliness requirements;
- Anti-Cavitation Check valve is used for applications such as Fan drive control;
- Pressure Relief Valves prevent excessive pressures in the high pressure loop;
- Please, consider the following possible values for pressure set of the relief valve:

Pos.9

200	250	300
-----	-----	-----

 → pressure

- Flow rate of flush valve by **default (omit) - 3 ÷ 7 l/min and charge pressure 16 bar** with 20 bar feed pressure for close loop circuit. The possible values are as follow:

Pos.10

omit	L3.5	L5.5
------	------	------

 → flow rate

- Other values for charge pressure are possible. Please see Pos.9.

Example: For charge pressure 10 bar the options are as follow:

Pos.9

200-10	250-10	300-10
--------	--------	--------

Relief valve opening pressure Flush valve opening pressure (charge pressure)

EXAMPLE

MAMB46LF2DARF300

Double Anti-Cavitation, Relief and Flush Valve, relief valve setting 300 bar flush valve charge pressure 16 bar, flush valve flow rate 5±2 l/min

MAMB46LF2DARF300-10

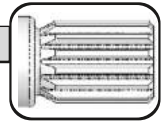
Double Anti-Cavitation, Relief and Flush Valve, relief valve setting 300 bar flush valve charge pressure 10 bar, flush valve flow rate is 5±2 l/min

MAMB50LF2DARF250L3.5

Double Anti-Cavitation, Relief and Flush Valve, relief valve setting 250 bar flush valve charge pressure 16 bar, flush valve flow rate is 3.5±1 l/min

MAMB46LF2DARF300-10L5.5

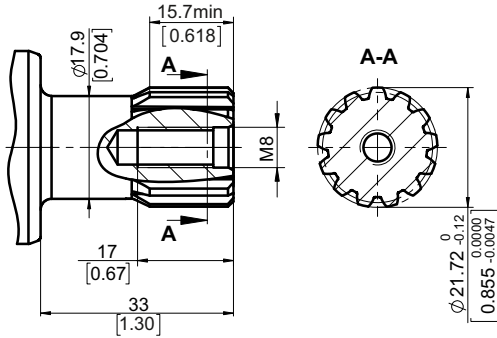
Double Anti-Cavitation, Relief and Flush Valve, relief valve setting 300 bar flush valve charge pressure 10 bar, flush valve flow rate 5.5±1 l/min



SHAFT TYPES AND DIMENSIONS

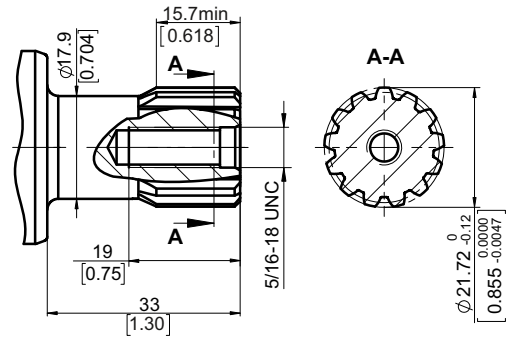
WD

ø21.72 [0.855], M8 thread
13T 16/32 DP splined ANSI B92.1-1970
Max. torque 200 Nm [1770 lb-in]



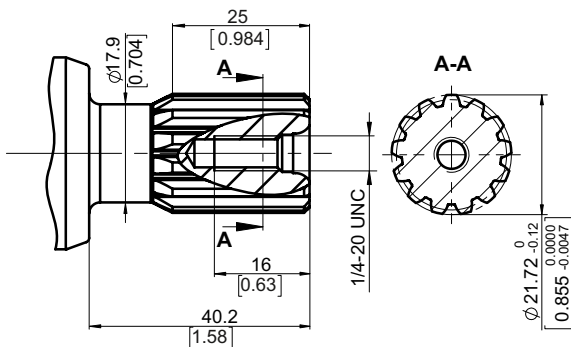
LD

ø21.72 [0.855], 5/16-18 UNC thread
13T 16/32 DP splined ANSI B92.1-1970
Max. torque 200 Nm [1770 lb-in]



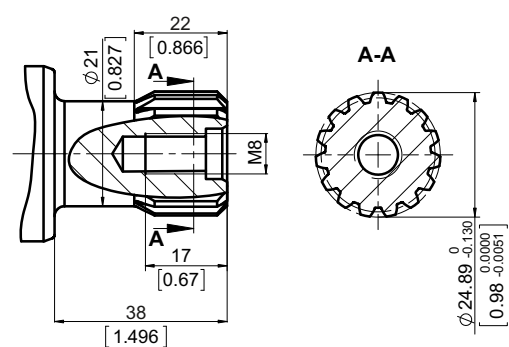
PDA

ø21.72 [0.855], 1/4-20 UNC thread
13T 16/32 DP splined ANSI B92.1-1996
Max. torque 200 Nm [1770 lb-in]

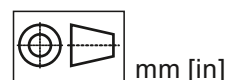


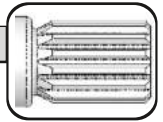
WF

ø24.89 [0.98], M8 thread
15T 16/32 DP splined ANSI B92.1-1970
Max. torque 330 Nm [2920 lb-in]



The required max. torque must not be exceeded

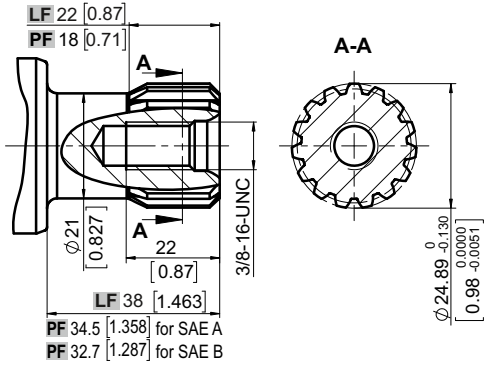




SHAFT TYPES AND DIMENSIONS

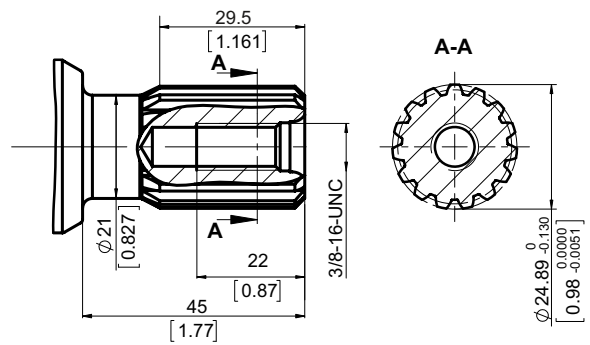
LF PF

ø24.89 [0.98], 3/8-16 UNC thread
15T 16/32 DP splined ANSI B92.1-1970
Max. torque 330 Nm [2920 lb-in]



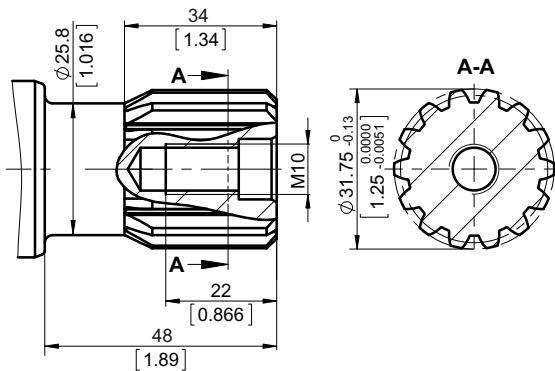
PFA

ø24.89 [0.98], 3/8-16 UNC thread
15T 16/32 DP splined ANSI B92.1-1970
Max. torque 330 Nm [2920 lb-in]



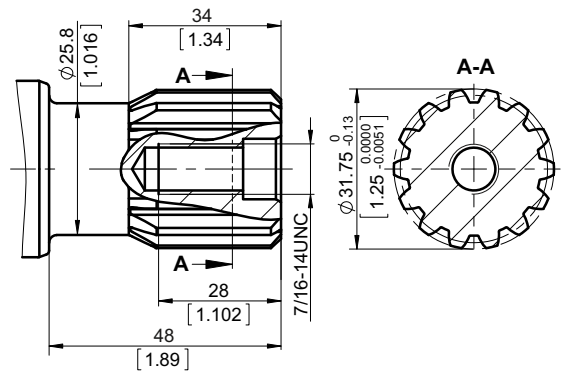
WK

ø31.75 [1.25], M10 thread
14T 12/24 DP splined ANSI B92.1-1970
Max. torque 380 Nm [3360 lb-in]

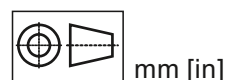


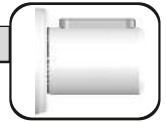
LK

ø31.75 [1.25], 7/16-14 UNC thread
14T 12/24 DP splined ANSI B92.1-1970
Max. torque 380 Nm [3360 lb-in]



The required max. torque must not be exceeded

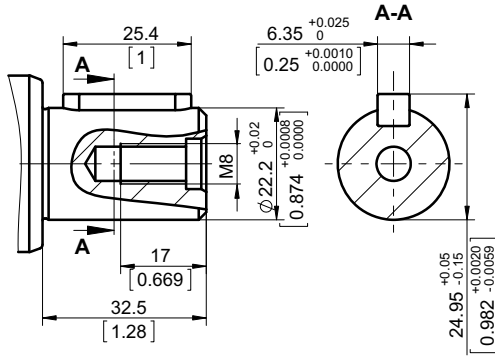




SHAFT TYPES AND DIMENSIONS

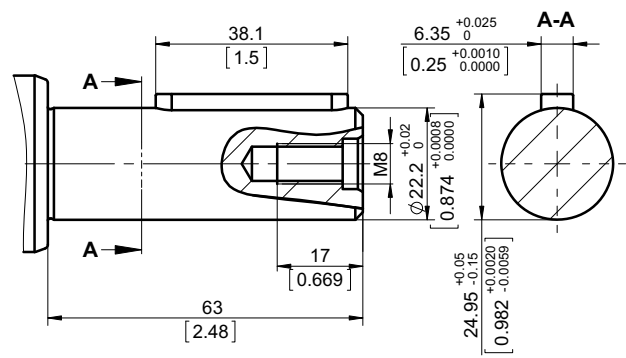
CK

ø22.2 [7/8] straight, M8 thread
Parallel key **1/4"x1/4"x1"** BS46
Max. torque 180 Nm [1600 lb-in]



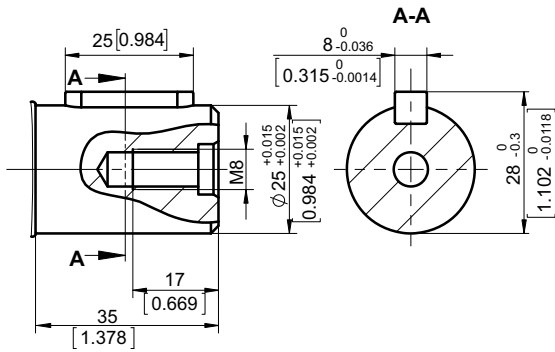
MK

ø22.2 [7/8] straight, M8 thread
Parallel key **1/4"x1/4"x1/2"** BS46
Max. torque 180 Nm [1600 lb-in]



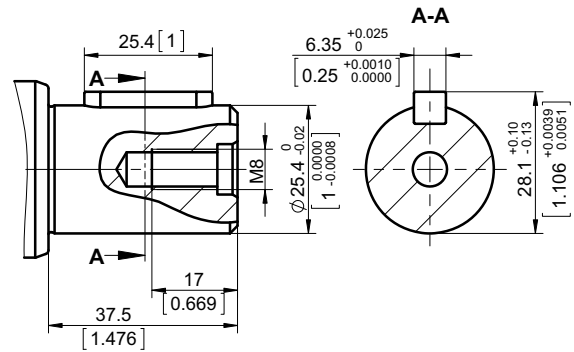
ML

ø25 [0.984] straight, M8 thread
Parallel key **A8x7x25** DIN6885
Max. torque 250 Nm [2210 lb-in]



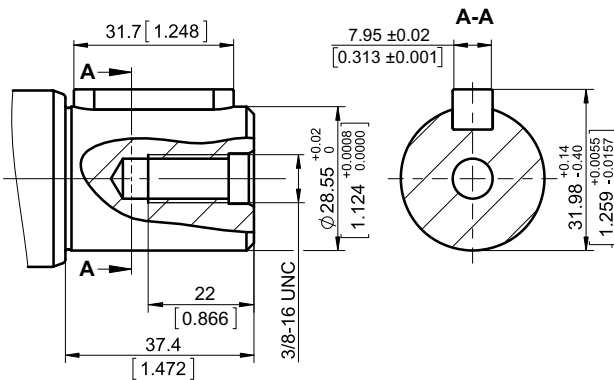
CM

ø25.4 [1] straight, M8 thread
Parallel key **1/4"x1/4"x1"** BS46
Max. torque 250 Nm [2210 lb-in]



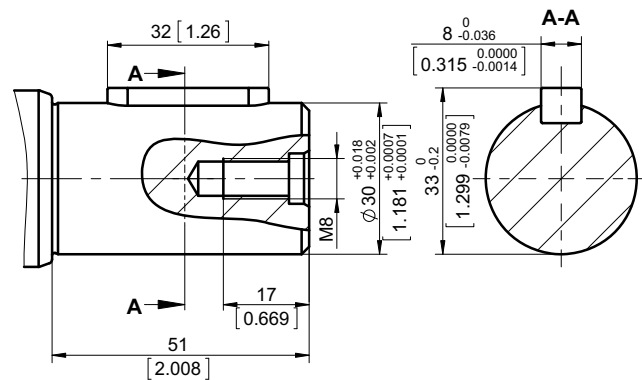
DO

ø28.55 [1.125] straight, 3/8-16 UNC thread
Parallel key **5/16"x5/16"x1/4"**
Max. torque 280 Nm [2480 lb-in]

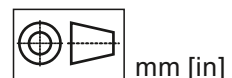


CQ

ø30 [1.181] straight, M8 thread
Parallel key **A8x7x32** DIN6885
Max. torque 300 Nm [2655 lb-in]



The required max. torque must not be exceeded

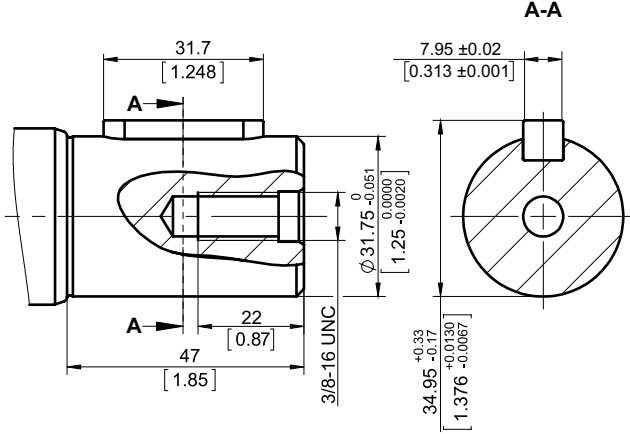




SHAFT TYPES AND DIMENSIONS

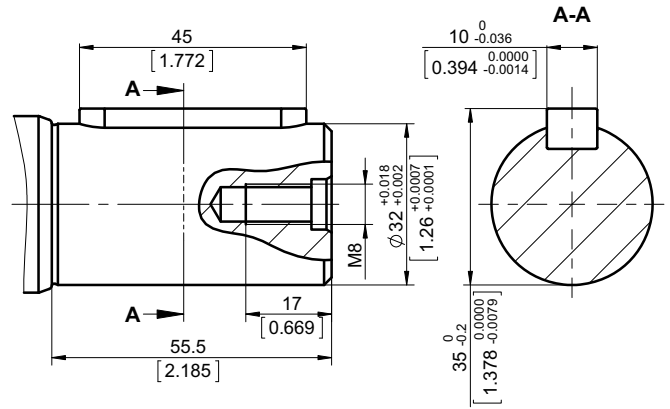
DR

ø31.75 [1.25] straight, 3/8-16 UNC thread
Parallel key **5/16"x5/16"x1/4"**
Max. torque 300 Nm [2655 lb-in]



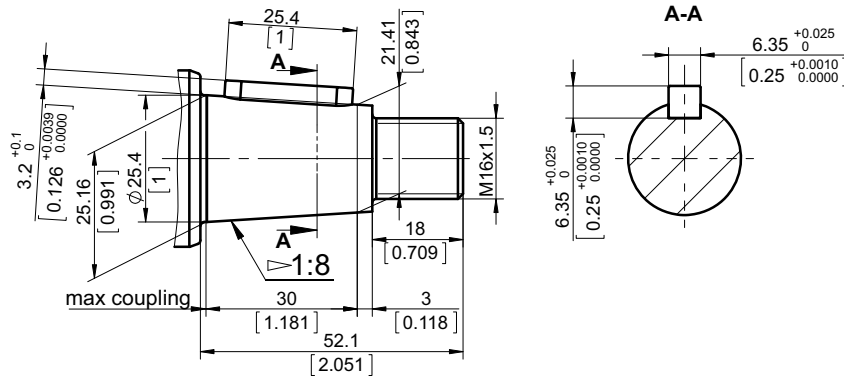
CS

ø32 [1.26] straight, M8 thread
Parallel key **A10x8x45** DIN6885
Max. torque 350 Nm [3100 lb-in]



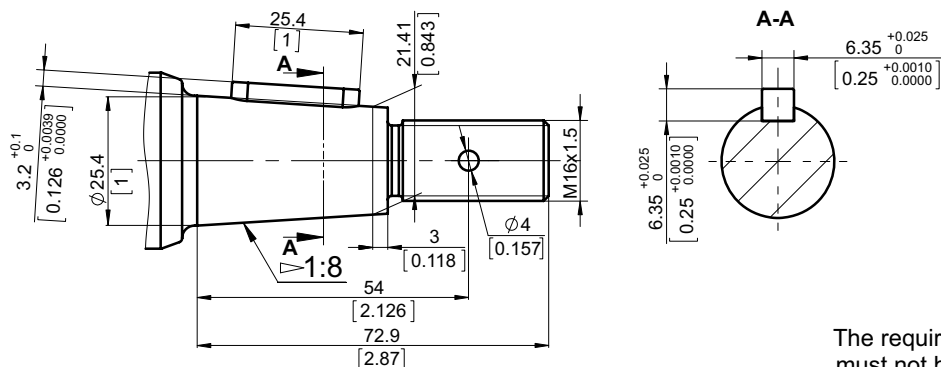
KH

ø25.4 [1] Tapered 1:8 [125:1000],
Parallel key **1/4"x1/4"x1"**, M16x1.5
Max. torque 300 Nm [2655 lb-in]

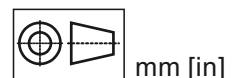


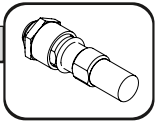
KHA

ø25.4 [1] Tapered 1:8 [125:1000],
Parallel key **1/4"x1/4"x1"**, M16x1.5
Max. torque 300 Nm [2655 lb-in]



The required max. torque must not be exceeded

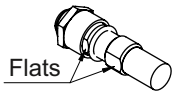
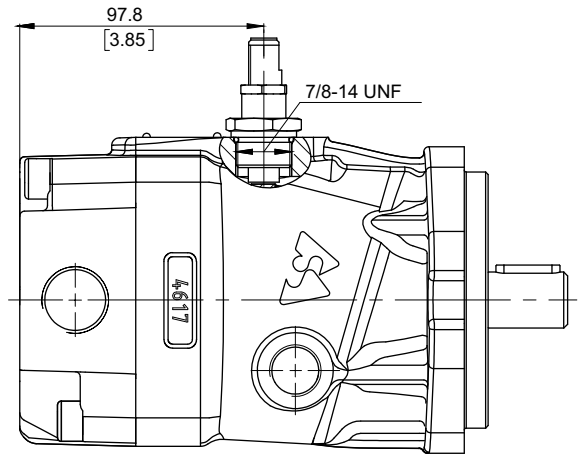
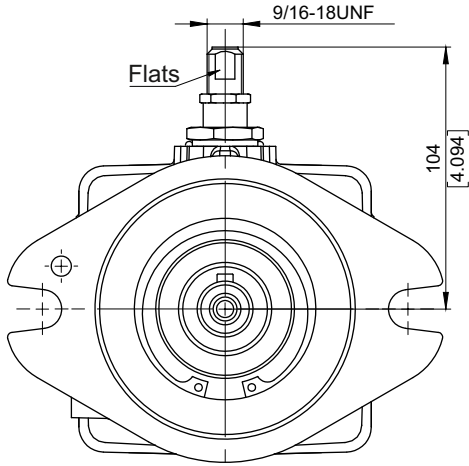




SPEED SENSORS

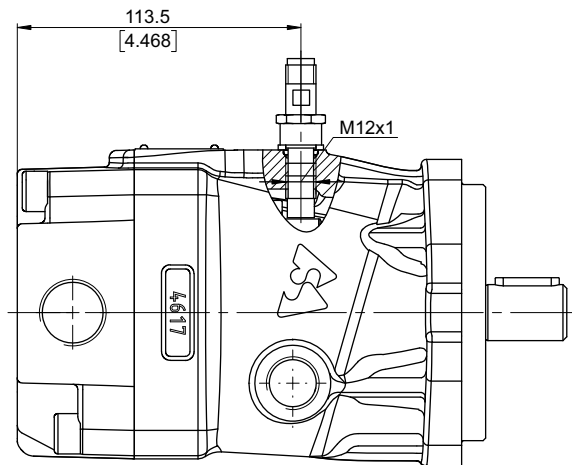
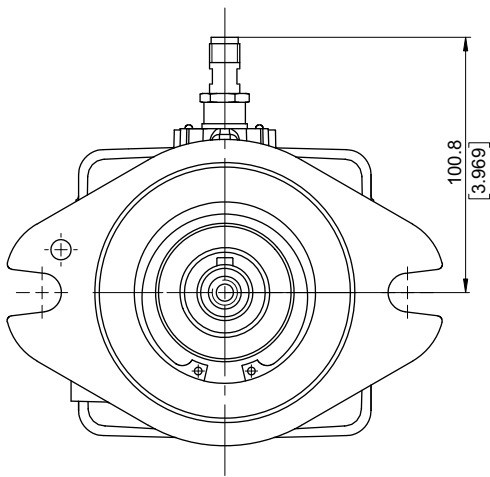
MOUNTING DIMENSIONS AND INSTALLATION

MAM with R2S - Dual Channel Hall Sensor



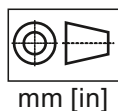
1. Remove the plug.
2. Screw in the (CW) sensor by hand until the bottom end gently touches the speed ring.
3. Unscrew (CCW) sensor 1/4 turn. Continue unscrew until the flats are perpendicular to motor or pump shaft center line (tolerance 20° to 30° is acceptable). Do not unscrew the sensor more than 3/4 of a turn from the touching.
4. Using the 1/2" wrench to hold the sensor, tighten the lock nut to 10⁺⁵ Nm [115 lb-in]. with an 11/16" hew wrench.

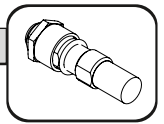
MAM with RS - Single Channel Hall Sensor



1. Remove the plug.
2. Rotate the motor shaft until any of the pistons are centered in the speed sensor port.
If this is not done, the sensor may be damaged during the motor operation.
3. Unscrew the lock nut and move the washer and the O-ring up as it is shown on.
4. By wrench S=10 lightly tighten the sensor body in the motor until the sensor face reaches the motor piston.
Do not force the sensor, because it could be damaged.
Make sure that the washer and the O-ring do not touch the housing.
5. Unscrew the sensor body with 1/4 revolution (90°)
6. Hold the sensor body in this position while tightening the lock nut to the prescribed torque 10⁺⁵ Nm [115 lb-in] with wrench S=17mm.

NOTE: *- The speed sensor is not fitted at the factory, but is supplied in a plastic bag with the motor.
For installation see enclosed instructions.





SPEED SENSORS R2S

TECHNICAL DATA OF THE DUAL CHANNEL HALL SPEED SENSOR

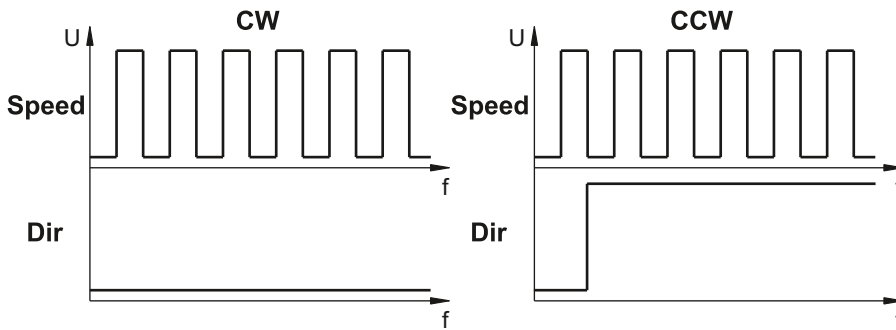
TECHNICAL DATA

Frequency range	0 ... 15 000 Hz
Output measurements	Speed, Direction
Power supply	4.5 ... 30 VDC
Output maximum current	100 mA
Resident output voltage	1.5 V with 100 mA of the output 0.5 V without load of the output
Power consumption	< 15 mA without load
Temperature	-40 ... + 100 °C
Degree of protection	IP 67
Pin connector	universal /PUSH-PULL/ 4P Delphi Connector DJ3042-2.5-21
Humidity	0 ... 95% RH

OUTPUT PULSES
per revolution

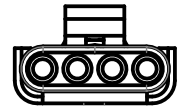
Motor Type	MAM20-50
Output Pulses	45

OUTPUT DIAGRAMS



PIN CONNECTOR

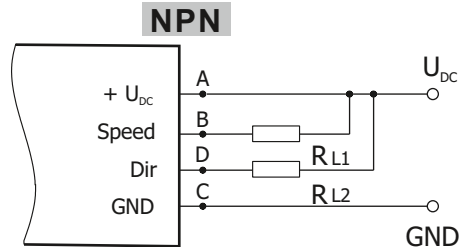
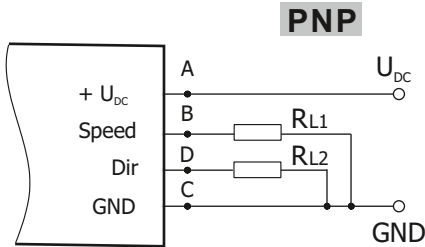
4 pin Delphi Connector



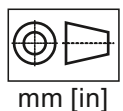
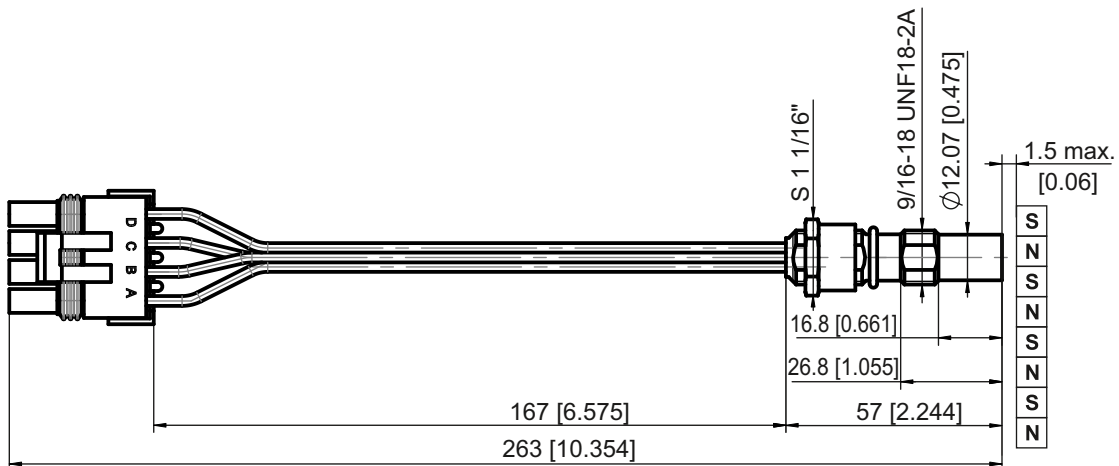
Pin	Connection	Cable Output
A	Power+	Red
B	Speed	White
C	Ground	Black
D	Direction	Green

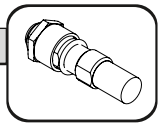
WIRING DIAGRAMS

Sensor could be in use for both type of connections - PNP or NPN



SENSOR R2S OVERALL DIMENSIONS





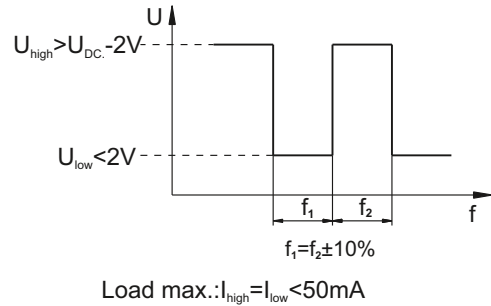
SPEED SENSORS RS

TECHNICAL DATA OF THE SINGLE CHANNEL HALL SPEED SENSOR

TECHNICAL DATA

Frequency range	0...15 000 Hz
Output measurements	Speed
Power supply	10...36 VDC
Output maximum current	50 mA
Current input	20 mA
Temperature	-40...+125°C [-40...+257°F]
Degree of protection	IP 67
Pin connector	M12-Series
Mounting principle	ISO 6149
Humidity	0 ... 95% RH

OUTPUT DIAGRAMS



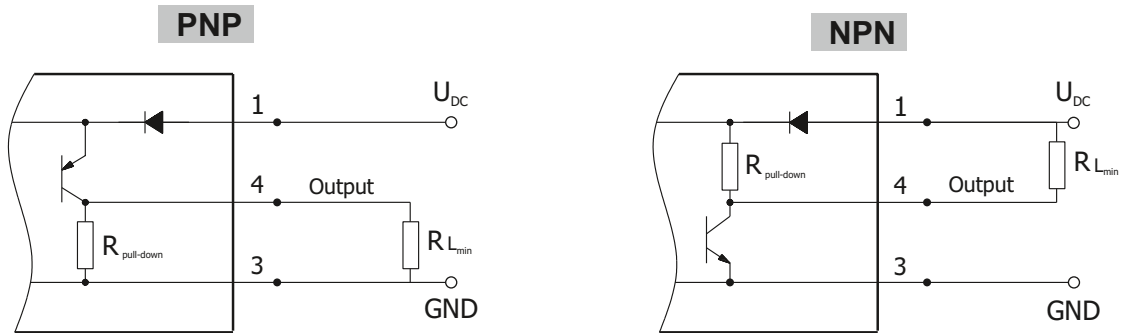
OUTPUT PULSES

per revolution

Motor Type	MAM20-50
Output Pulses	9

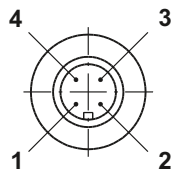
WIRING DIAGRAMS

Sensor could be in use for both type of connections - PNP or NPN



$$R_L [k\Omega] = U_{DC} [V] / I_{max} [mA]$$

PIN CONNECTOR



Pin	Connection	Cable Output
1	+U _{DC}	Brown
2	No connection	White
3	GND	Blue
4	Output signal	Black

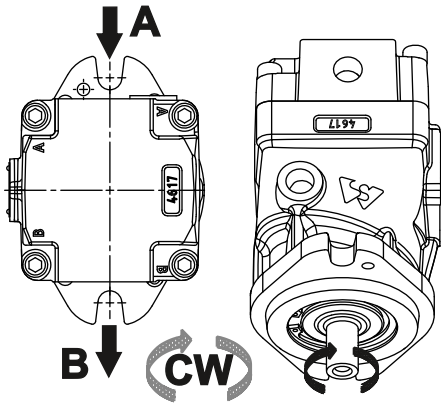


INSTALLATION

DIRECTION OF ROTATION

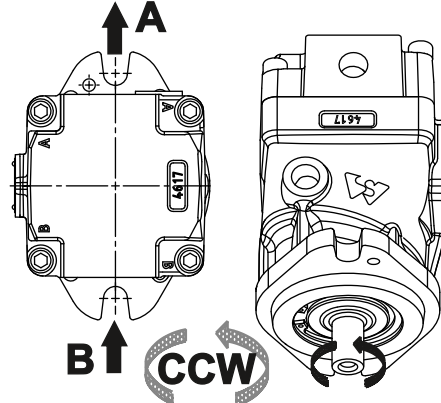
CW Rotation

Viewed from shaft end
Port A Pressurized - CW



CCW Rotation

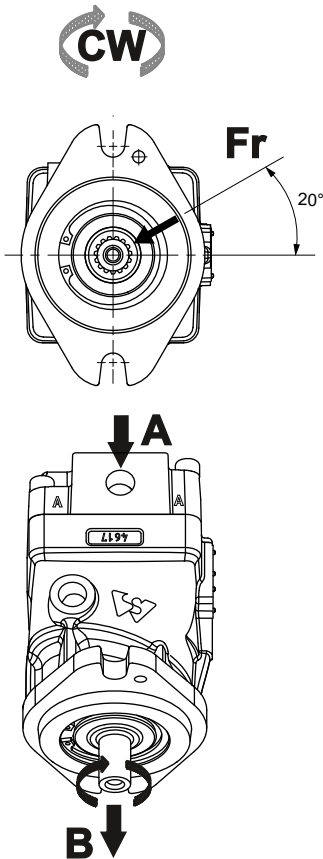
Viewed from shaft end
Port B Pressurized - CCW



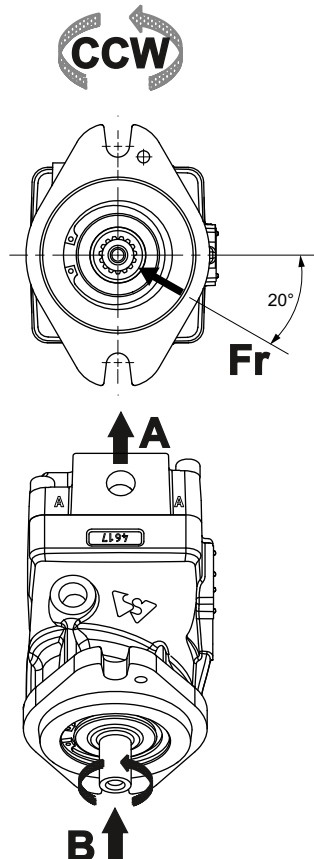
BEST POSITION FOR APPLYING RADIAL LOAD

Optimal position for applying radial load depending on the direction of rotation

CW Rotation



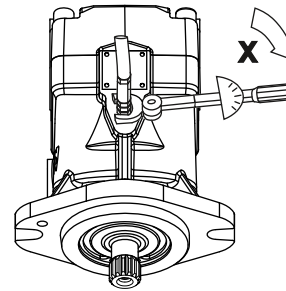
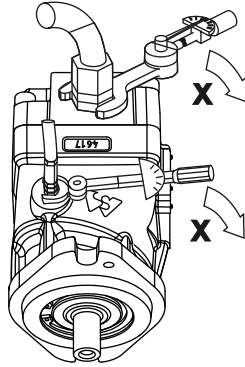
CCW Rotation

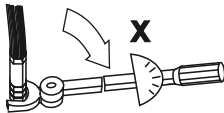
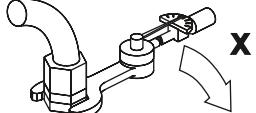




INSTALLATION

Recommended max. tightening torque X for metal plugs and orifice

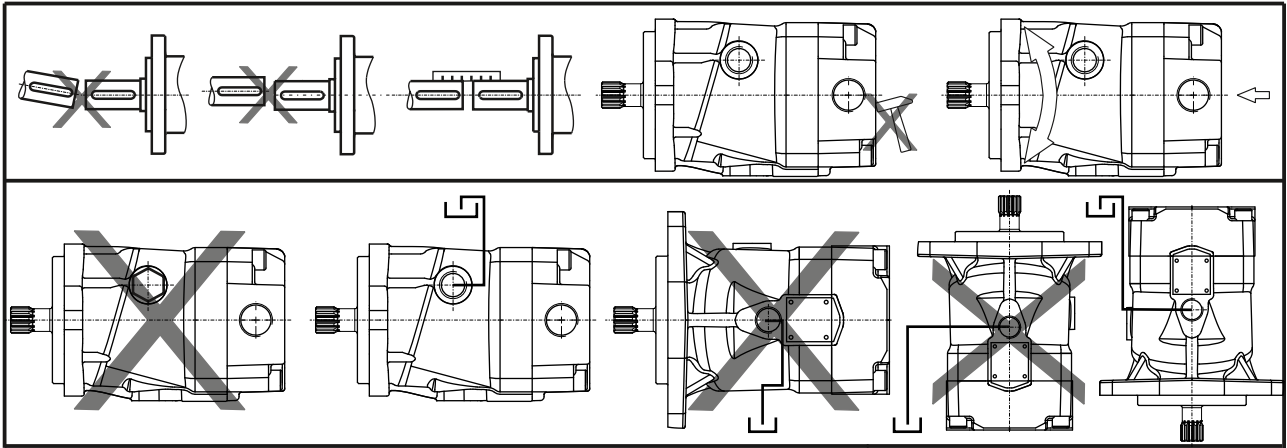


Screwed connection Anschlussart Raccord Tipo di collegamento Especie de unir Присоединительные резьбы	 Max. Tightening Torque X, daNm [lb-in] Max. Anzugsmoment X, daNm [lb-in] Couple de serrage maxi X, daNm [lb-in] Momento di serraggio max. X, daNm [lb-in] Momento d'apretadura max. X, daNm [lb-in] Момент затяжки X, daNm [lb-in]				
	With copper washer Mit Kupferscheibe Avec rondelle en cuivre Con rondella di rame De arandela de cobre С медной шайбой	With aluminium washer Mit Aluminiumscheibe Avec rondelle en aluminium Con rondella di alluminio De arandela d'aluminio С алюминиевой шайбой	With cutting edge Mit Dichtkante Tranchant Con tagliente di guarnizione De borde compactar С крутым бортиком	With "O" ring Mit "O" Ring Avec joint torique Con "O"-anello De "O"-anillo С резиновым кольцом	
M 8	1.6 [150]	1 [88.5]	2 [180]		
M 10	3.2 [300]	1 [88.5]	2 [180]		
M 12	3.5 [310]	3 [265]	4 [360]		
M14x1.5	4 [360]	3 [265]	4 [360]	3 [265]	
M16x1.5	5 [450]	5 [450]	6 [550]	5 [450]	
M18x1.5	6 [550]	5 [450]	6 [550]	5 [450]	
M20x1.5	8 [710]	8 [700]	10 [885]	8 [700]	
M22x1.5	10 [900]	8 [700]	10 [885]	8 [700]	
M24x1.5	12 [1070]	10 [885]	10 [885]	10 [885]	
M27x2	16 [1420]	13 [1150]	10 [885]	10 [885]	
G 1/4	4 [360]	3 [265]	4 [360]	2 [180]	
G 3/8	5 [450]	5 [450]	6 [550]	2 [180]	
G 1/2	8 [710]	8 [700]	10 [885]	3 [265]	
G 3/4	16 [1420]	13 [1150]	16 [1400]	5 [450]	
G 1	20 [1800]	20 [1770]	25 [2200]	8 [700]	
1/8 - 14(UNF)	2.5 [230]			0.7 [62]	
3/8-24(16)UNF(UNC)	3 [270]			1.5 [130]	
7/16-20(16) UNF	3.5 [310]			2 [180]	
9/16-18 UNF	4 [360]			2 [180]	
9/16-20 UNF	5 [450]			3.5 [310]	
3/4 -16 UNF	6 [550]			6 [550]	
7/8 -14(16)UNF	10 [900]			7 [620]	
1 1/16 - 12 UN	16 [1420]			9 [800]	
1 5/16 -12 UN	20 [1800]			16 [1400]	
1/2 -14 NPTF				3 [265]	
1/4 - 18 NPTF				3 [265]	



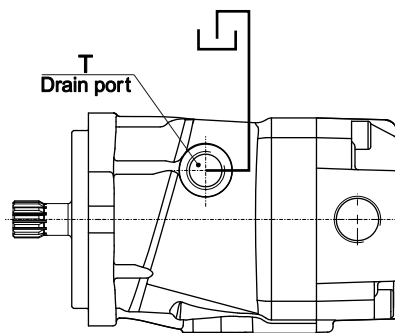
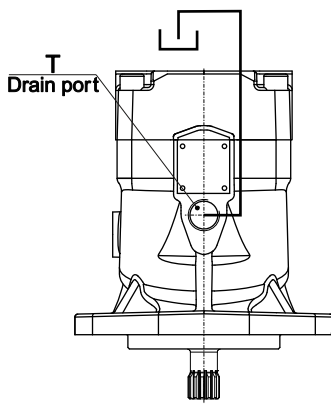
INSTALLATION

At start-up and during operation the motor housing has to be filled up with hydraulic fluid. Start-up has to be carried out at low or moderate speed and without load (for example 1000 rpm and pressure 50 [725] bar [PSI]) till the motor and the hydraulic scheme are filled up with oil. Generally the start-up needs 10-15 minutes to finish. The leakage oil in the housing has to be discharged to the tank through the highest positioned drain port T. The max. pressure in the drain line is 5 [70] bar [PSI].



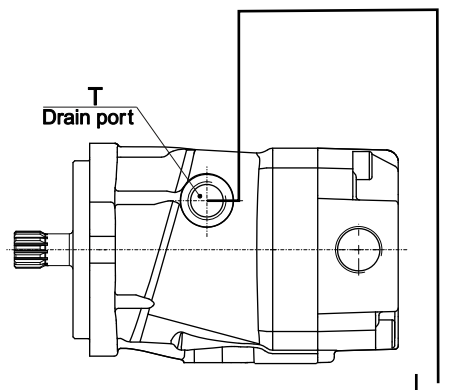
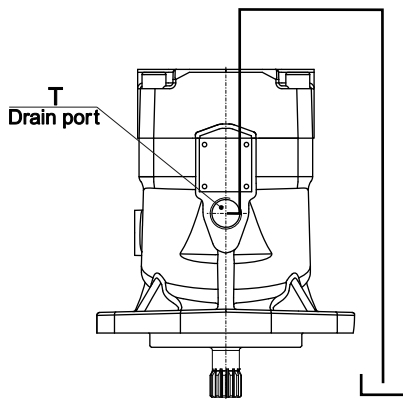
Installation below the tank level (recommended)

- Fill up the axial piston motor before the start-up through the highest positioned drain port T.
- Operate the motor at low speed till the motor system is completely filled up.
- The minimum immersion depth of the drain line in the tank is 200 mm relative to the minimum oil level in the tank.



Installation on top of the tank level

- Fill up the axial piston motor before the start-up through the highest positioned drain port T.
- Operate the motor at low speed till the motor system is completely filled up.
- The minimum immersion depth of the drain line in the tank is 200 mm relative to the minimum oil level in the tank.

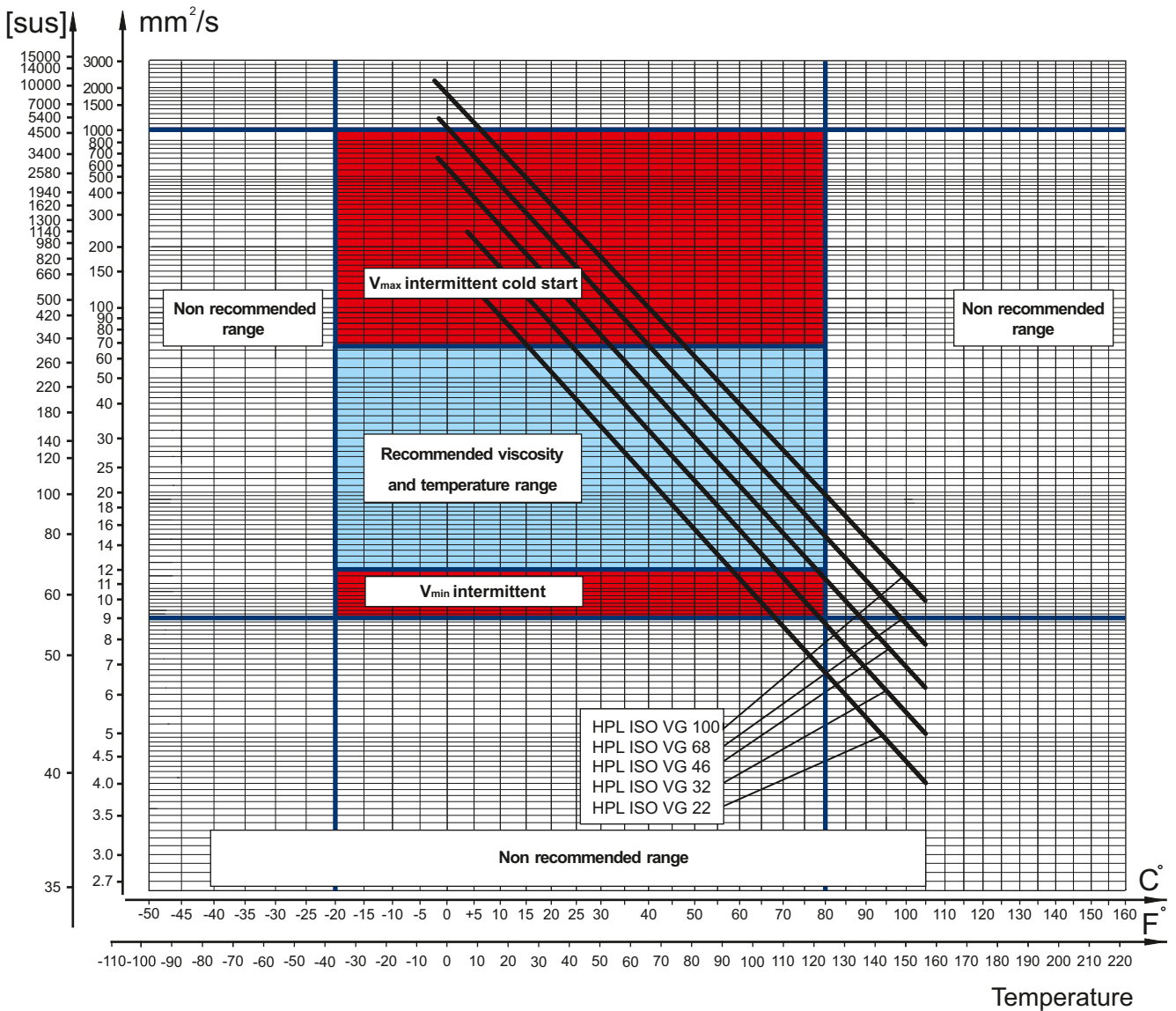




FLUID VISCOSITY LIMITS

In order to obtain optimum efficiency and service life, we recommend to select the operating viscosity (at operating temperature) within the range shown on diagram below.

Kinematic viscosity



The above - shown viscosity characteristics are for reference only. Please, check the actual viscosity with the manufacturer of the fluid.

BASIC FORMULAS

The motor size, pressure and flow required for a specific application can be calculated using the formulas below.

Metric System

Efficiency $\eta_t = \eta_{mh} \cdot \eta_v$ $\eta_{mh} = \frac{\eta_t}{\eta_v}$ $\eta_v = \frac{\eta_t}{\eta_{mh}}$

Input flow $Q = \frac{Vg \cdot n}{1000 \cdot \eta_v}$ [l/min]

Output torque $M = \frac{Vg \cdot \Delta p \cdot \eta_{mh}}{62,8}$ or $M = \Delta p \cdot T_{con.}$ [Nm]

Output power $P = \frac{M \cdot n}{9550} = \frac{Q \cdot \Delta p \cdot \eta_t}{600}$ [kW]

Speed $n = \frac{Q \cdot 1000 \cdot \eta_v}{Vg}$ or $n = Q \cdot N_{con.}$ [min^{-1}]

Vg = Displacement per rev. [cm³]
 $\Delta p = p_{HP} - p_{LP}$ [bar]
 p_{HP} = High pressure [bar]
 p_{LP} = Low pressure [bar]
 n = Rotation speed [RPM]
 Q = Oil flow [l/min]
 T_{con.} = Toque constant [Nm/bar]
 N_{con.} = Speed constant [RPM/(l/min)]
 η_v = Volumetric efficiency
 η_{mh} = Mechanical-hydraulic efficiency
 η_t = Overall efficiency

Inch System

Efficiency $\eta_t = \eta_{mh} \cdot \eta_v$ $\eta_{mh} = \frac{\eta_t}{\eta_v}$ $\eta_v = \frac{\eta_t}{\eta_{mh}}$

Input flow $Q = \frac{Vg \cdot n}{231 \cdot \eta_v}$ [GPM]

Output torque $M = \frac{Vg \cdot \Delta p \cdot \eta_{mh}}{2 \cdot \pi}$ or $M = \Delta p \cdot T_{con.}$ [lb-in]

Output power $P = \frac{Vg \cdot n \cdot \Delta p \cdot \eta_t}{396000}$ [hp]

Speed $n = \frac{Q \cdot 231 \cdot \eta_v}{Vg}$ or $n = Q \cdot N_{con.}$ [min^{-1}]

Vg = Displacement per rev. [in³]
 $\Delta p = p_{HP} - p_{LP}$ [PSI]
 p_{HP} = High pressure [PSI]
 p_{LP} = Low pressure [PSI]
 n = Rotation speed [RPM]
 Q = Oil flow [GPM]
 T_{con.} = Toque constant [lb-in/PSI]
 N_{con.} = Speed constant [RPM/GPM]
 η_v = Volumetric efficiency
 η_{mh} = Mechanical-hydraulic efficiency
 η_t = Overall efficiency

Depending on the results of the load calculations, the most appropriate type of motor from the catalogue is selected.

Table 1

Rolling resistance coefficient In case of rubber tire rolling on different surfaces			
Surface	ρ	Surface	ρ
Concrete- faultless	0.010	Macadam- bad	0.037
Concrete- good	0.015	Snow- 5 cm	0.025
Concrete- bad	0.020	Snow- 10 cm	0.037
Asphalt- faultless	0.012	Polluted covering- smooth	0.025
Asphalt- good	0.017	Polluted covering- sandy	0.040
Asphalt- bad	0.022	Mud	0.037÷0.150
Macadam- faultless	0.015	Sand- Gravel	0.060÷0.150
Macadam- good	0.022	Sand- loose	0.160÷0.300

APPLICATION FORMULAS

1. Motor speed: n, RPM

$$n = \frac{2,65 \cdot v_{km} \cdot i}{R_m} \quad n = \frac{168 \cdot v_{mi} \cdot i}{R_n}$$

v_{km} - vehicle speed [km/h]
 v_{mi} - vehicle speed [mi/h]
 R_m - wheel rolling radius [m]
 R_n - wheel rolling radius [in]
 i - gear ratio between motor and wheels.
 If no gearbox, use $i=1$.

2. Rolling resistance: RR, daN [lbs]

The resistance force resulted in wheels contact with different surfaces:

$$RR = G \cdot \rho$$

G - total weight loaded on vehicle, daN [lbs];
 ρ - rolling resistance coefficient (Table 1).

3. Grade resistance: GR, daN [lbs]

$$GR = G \cdot (\sin\alpha + \rho \cdot \cos\alpha)$$

α - gradient negotiation angle (Table 2)

Table 2

Grade %	α Degrees	Grade %	α Degrees
1%	0° 35'	12%	6° 5'
2%	1° 9'	15%	8° 31'
5%	2° 51'	20%	11° 19'
6%	3° 26'	25%	14° 3'
8%	4° 35'	32%	18°
10%	5° 43'	60%	31°

Table 3

Surface	Frictional factor f
Steel on steel	0.15 ÷ 0.20
Rubber tire on polluted surface	0.5 ÷ 0.7
Rubber tire on asphalt	0.8 ÷ 1.0
Rubber tire on concrete	0.8 ÷ 1.0
Rubber tire on grass	0.4

4. Acceleration force: FA, daN [lbs]

Force FA necessary for acceleration from 0 to maximum speed v and time t can be calculated with a formula:

$$FA = \frac{v_{km} \cdot G}{36 \cdot t \cdot 10} \text{ [daN]} \quad FA = \frac{v_{mi} \cdot G}{2,2 \cdot t} \text{ [lbs]}$$

FA - acceleration force, daN [lbs]
 t - time, [s]

5. Tractive effort: DP, daN [lbs]

Tractive effort DP is the additional force of trailer. This value will be established as follows:

-acc. to constructor's assessment;
 -as calculating forces in items 2, 3 and 4 of trailer. The calculated sum corresponds to the tractive effort requested.

6. Total tractive effort: TE, daN [lbs]

Total tractive effort TE is total effort necessary for vehicle motion; that the sum of forces calculated in items from 2 to 5 and increased with 10 % because of air resistance.

$$TE = 1,1 \cdot (RR + GR + FA + DP)$$

RR - force required to overcome the rolling resistance;
 GR - force required to slope upwards;
 FA - force required to accelerate (acceleration force);
 DP - additional tractive effort (trailer).

7. Motor Torque moment: M, daNm [in-lb]

Necessary torque moment for every hydraulic motor:

$$M = \frac{TE \cdot R_m [R_n]}{N \cdot i \cdot \eta_M}$$

N - motor numbers;
 η_M - mechanical gear efficiency (if it is available).

8. Cohesion between tire and road covering: M_w, daNm [in-lb]

$$M_w = \frac{G_w \cdot f \cdot R_m [R_n]}{i \cdot \eta_M}$$

To avoid wheel slipping, the following condition should be observed $M_w > M$

f - frictional factor;

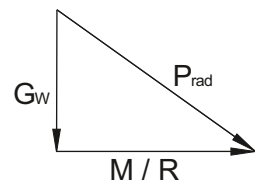
G_w - total weight over the wheels, daN [lbs].

9. Radial motor loading: P_{rad}, daN [lbs]

When the motor is used for motion with a ring or gear mounted directly on the motor shaft, the total radial load of the motor shaft P_{rad} is the sum of the motion force and the weight force acting on the ring .

G_w - Weight held by wheel;
 P_{rad} - Total radial loading of motor shaft;
 M/R - Motion force.

$$P_{rad} = \sqrt{G_w^2 + \left(\frac{M}{R}\right)^2}$$



Depending on the results of the load calculations, the most appropriate type of motor from the catalogue is selected.

WARRANTY

M+S Hydraulic warrants, that its products, supplied directly to original equipment manufacturer, authorized distributor or other customer, will be free of defects in material or workmanship at the time of shipment from M+S Hydraulic and will conform to the products technical documentation (drawings and specifications) under sale agreement with Buyer.

This warranty will apply only to defects appearing within applicable Warranty period, mentioned below. If Buyer notifies M+S Hydraulic within the Warranty period about any such defects, M+S, at its sole option will replace or repair the defective products or their parts found by M+S Hydraulic to be defective in material or workmanship.

THE FOREGOING LIMITED WARRANTY IS AVAILABLE ONLY IF "M+S HYDRAULIC" IS PROMPTLY NOTIFIED IN WRITTEN OF THE ALLEGED DEFECT AND DOES NOT COVER FAILURE TO FUNCTION CAUSED BY DAMAGE TO THE PRODUCT, IMPROPER INSTALLATION, UNREASONABLE USE OR ABUSE OF THE PRODUCT, FAILURE TO PROVIDE OR USE OF IMPROPER MAINTENANCE OR USUAL, DEGRADATION OF THE PRODUCT DUE TO PHYSICAL ENVIRONMENTS OF AN USUAL NATURE. THE FOREGOING REMEDIES ARE THE SOLE AND EXCLUSIVE REMEDIES AVAILABLE TO CUSTOMER. To facilitate the inspection, M+S Hydraulic may require return of the product/part, which Buyer claims to be defective.

M+S Hydraulic shall not be liable for labor costs or any other expenses incurred during the disassembling or reinstalling of the product/part.

In case the claimed products are returned to M+S Hydraulic in bad condition: dirty, disassembled, with damaged or missing parts during transportation, the warranty will be considered as not applicable and the products will not be liable to repair.

Warranty periods

New products: The Warranty period is limited to 24 consecutive months (2 years) from the date of production of the product.

Repaired products: If the product is repaired in M+S Hydraulic during its warranty period, the warranty period of the repaired item shall continue for the balance of original Warranty period or for a period equal to 50% of the original new product Warranty period, whichever is later.

Spare parts: The Warranty period for Spare parts is 12 consecutive months (1 year) from the dispatch date of such parts from M+S Hydraulic.

LIMITATION OF LIABILITY M+S Hydraulic's liability for claim of any kind, for loss or damage arising out of, connected with or resulting from an order, or from the performance or branch thereof, or from the design, manufacture, sale delivery, operation or use of any of its products shall be limited to, at M+S 's sole option, replacement, repair of any defective product or the issuance of a credit to Customer against any future purchases. Cash refunds will not be made under any circumstances and Customer will not be entitled to recover any damages of any kind against M+S Hydraulic, including but not limited to incidental or consequential damages, whether direct or indirect, known or unknown, foreseen or unforeseen.

HES HYDRAULIC ELEMENTS AND SYSTEMS OVERVIEW



Hydraulic Elements and Systems PLC is a public stock company located in the town of Yambol, South-East Bulgaria. The factory has a long history and traditions in the design and manufacture of hydraulic cylinders. The product range includes Piston cylinders, Telescopic cylinders, Plunger cylinders and Rack cylinders.

M+S HYDRAULIC OVERVIEW



M+S Hydraulic is a leading manufacturer of Hydraulic Motors, Hydrostatic Steering Units and accessories, Hydraulic brakes Motor-brakes and Valve Blocks in Europe and all over the world.

The main advantage of our company is that we offer hydraulic solutions to the specific needs of the customers meeting their technical requirements thanks to the various product's options. M+S Hydraulic commodities are guaranteed with after-sales services, technical support and warranty period of 24 months.

M+S Hydraulic has an enlarging world-wide distributors' network. The company has Agency contracts and Consignment agreements with more than 35 companies in the world. We have the know-how to develop solutions for productivity and efficiency on every continent.

M+S HYDRAULIC - DEVOTED TO THE QUALITY

