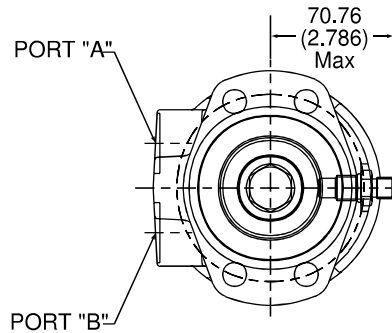


An Economical Sensor for Speed Readout

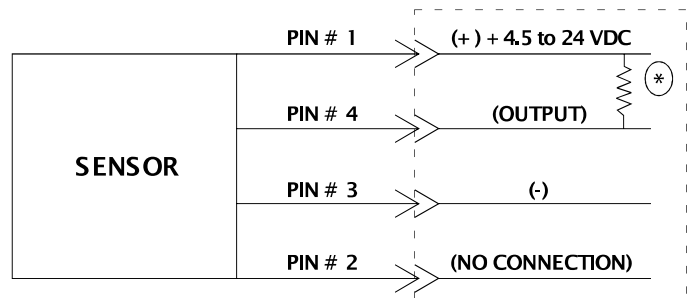
This rugged, weather resistant design is ideal for industrial and mobile applications. Applications include salt/sand/fertilizer spreader drives, conveyer drives and injection molder compression drives. The sensor is a hall-effect type, which when externally powered outputs 30 square wave digital pulses per coupling shaft revolution. The connector is a user friendly universally available 4 pin polarized M12 connector allowing for simplified field service. The integrated design does not effect the side load capacity or performance of the Torqlink™.



Speed Sensor
 Part Number
 455069

Features

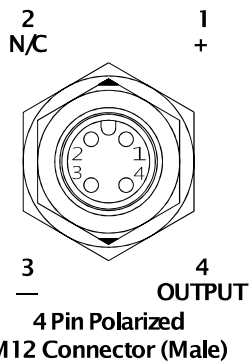
- Operating Voltage Range 4.5 to 24 VDC
- Operating Temperature -40° C to 104° C
 (-40° F to 220° F)
- Operating Frequency Range 0 to 10 KHz
- Maximum Sink Current 20 mA
- Connection 4 Pin Polarized
 M12 Connector
- Sensor Output 30 Pulses per Revolution which can be doubled electronically.
- Output is NPN Open Collector



Pull-up Resistor Value Formula
 (for 1/4 Watt, 5% Tolerance)

$$\frac{V \text{ Supply (4.5-24 VDC)}}{\text{Desired Sink Current (0-20 mA } \pm 20\%)} = \text{Resistor Value (K - Ohms)}$$

On State Current: 5 mA
 Higher wattage resistor will be needed for higher sink current.



Cable is *not* supplied by factory



0V _____
 1510-005_USA.P65.pm.fl