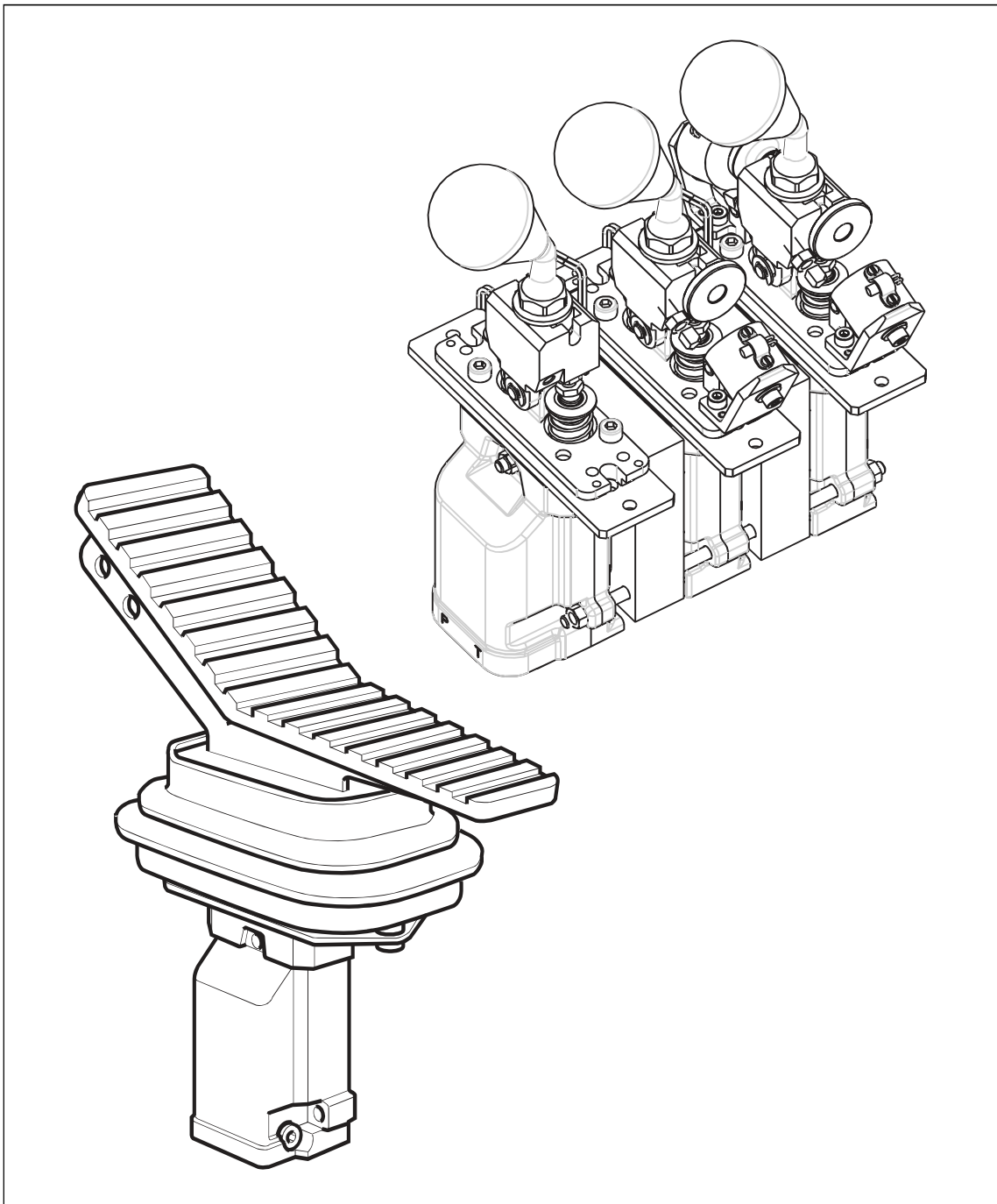




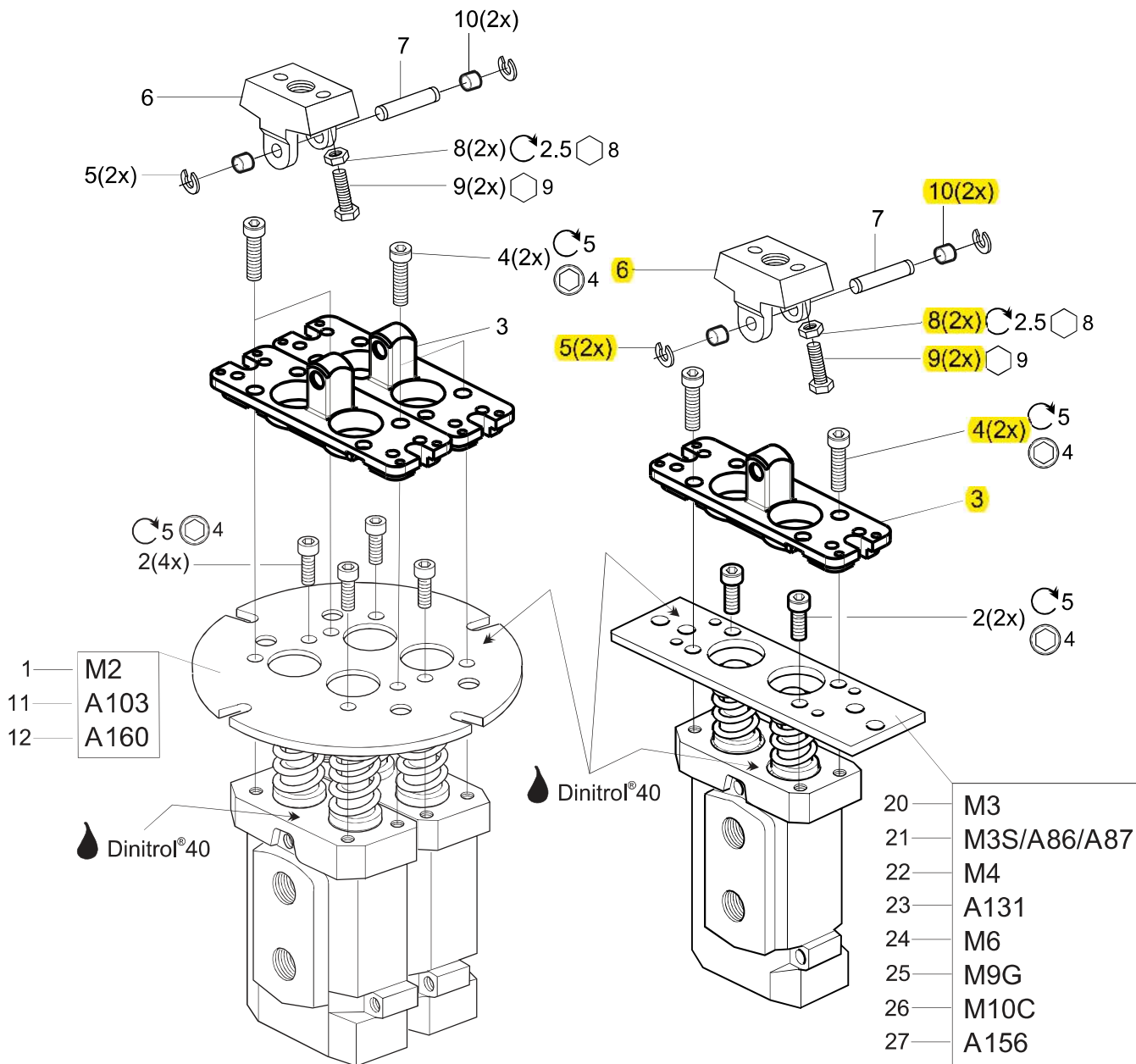
Bulletin HY17-8813-M1/UK

Spare Parts List Series PCL402

Effective date: January 13, 2014
Supersedes: January 29, 2013



**M2, M3, M3S, M4, M6, M9G, M10C, Lever Link,
A86, A87, A103, A131, A156, A160**



| See Customer Specification | | | | |
|----------------------------|-----|------------|--------------------------------|--|
| Code | Pos | Part | Description | Remarks / Items |
| / | 80 | 9120089307 | Lever link | 3 [5(2x), 6, 7, 8(2x), 9(2x), 10(2x)], 4(2x) |
| M2 | 11 | 9120089351 | Mounting plate M2 | 1, 2(4x) |
| A103* | 5* | 9120089588 | Mounting plate A103 | 2(4x), 11 |
| A160 | 11 | 6760355 | Mounting plate A160 | 2(4x), 12 |
| M3 | 11 | 9120089308 | Mounting plate M3 | 2(2x), 20 |
| M3S, A86, A87 | 11 | 9120089712 | Mounting plate M3S, A086, A087 | 2(2x), 21 (Stainless Steel Plate) |
| M4 | 11 | 9120089361 | Mounting plate M4 | 2(2x), 22 |
| A131 | 11 | 6763290 | Mounting plate A131 | 2(2x), 23 (Stainless Steel Plate) |
| M6 | 11 | 9120089360 | Mounting plate M6 | 2(2x), 24 |
| M9G | 11 | 6760205 | Mounting plate M9G | 2(2x), 25 |
| M10C | 11 | 6760206 | Mounting plate M10C | 2(2x), 26 |
| A156 | 11 | 6760256 | Mounting plate A156 | 2(2x), 27 |

* Old Customer Specification