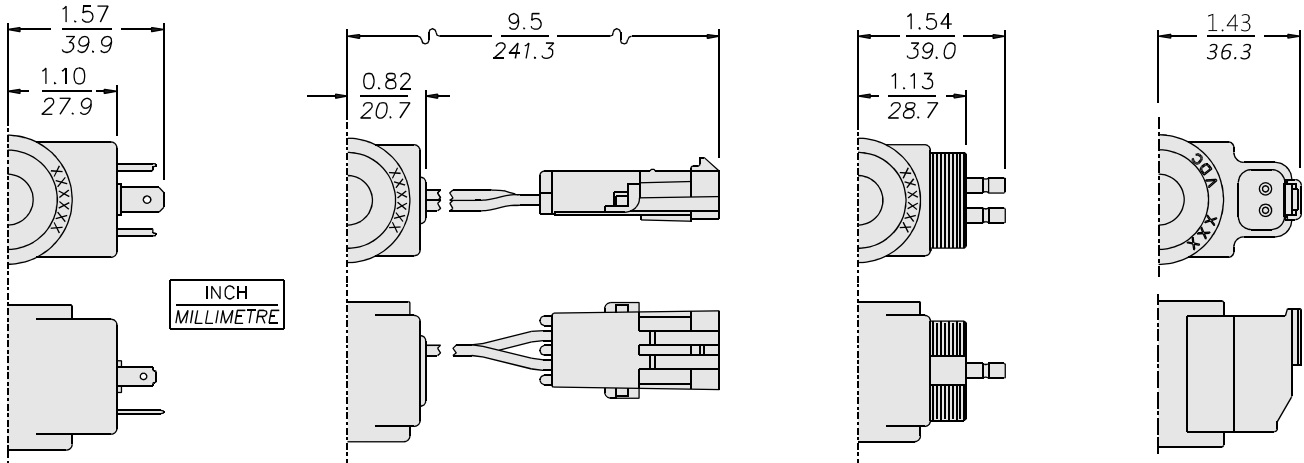


# Standard Coils and Proportional Valve Coils

## SERIES 08, 80, 88, 98 COIL INFORMATION



**G**

**DIN 43650  
Connector**

Pins 1 and 2 are not polarity-sensitive. Ground pin is not used.

[Coil 08\\_DG STP Files](#)

**W**

**Dual 18 Gauge Leads with  
Weather Pack® Connector**

For use with Packard part no. 12015792 female plug

[Coil 08\\_DLW STP Files](#)

**K**

**Kostal  
Connector**

DK Coils; U.K. availability only.

**DR**

**Integral Deutsch  
Connector**

DR Models without Diode  
DR/D Models with Diode  
DR/Z Models with Zener Diode

**Mating Connector:**  
Deutsch No. DT06-2S  
HF Part No. 4001417

[Coil 08\\_DR STP Files](#)

Voltage	Part Number Suffix					
	G	W	K	DR	DR/D	DR/Z
10 VDC	6306010	6309410				
12 VDC	6306012	6309412	6348812	4301512	4301872	4301852
24 VDC	6306024	6309424	6348824	4301524	4301874	4301854
36 VDC	6306036	6309436				
*24 VAC	6316024					
*115 VAC	6316115					
*230 VAC	6316230					

\*Rectified

Coil Weight: 110 g. (4.0 oz.)