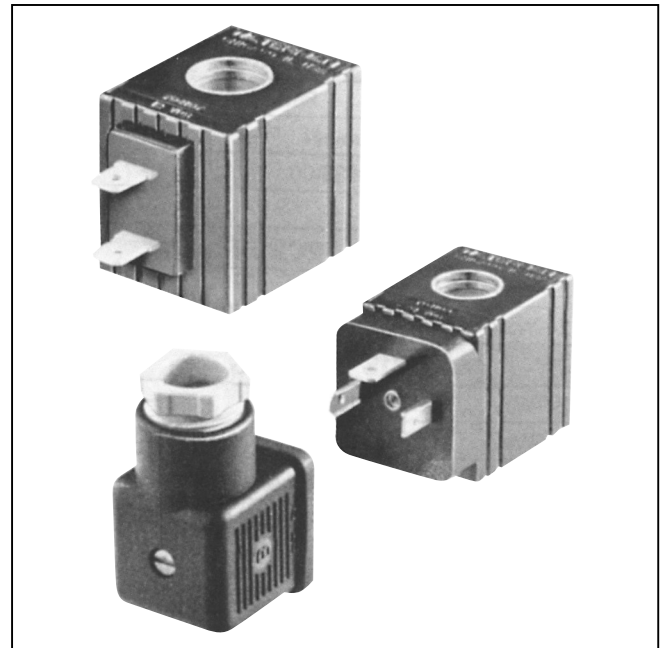


### General Description

Coils are used on "DS" Series up to 210 Bar (3000 PSI) pressure application. The coils are smaller (height and width) than the Unicoils used on "DSL" Series operating at 210 Bar (3000 PSI) or "DSH" Series operating at 345 Bar (5000 PSI) and also **non-interchangeable**.

### Features

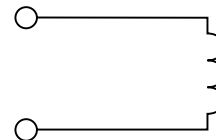
- One piece compact encapsulated design
- Minimal amperage draw
- Numerous terminals and voltages
- Coil interchangeability with all Series 08 and 09 valves
- Heavy duty design optional
- Heavy gauge color coded lead wire with built-in strain relief
- U.L. recognized on all DC coils
- C.S.A. approved
- H Class wire standard



### Specifications

<b>Wattage</b>	12 Watts — Standard Duty 25 Watts — Heavy Duty
<b>Duty Rating</b>	Continuous @ 100% voltage
<b>Wire Class</b>	Class H for all voltages
<b>Heat Rise</b>	45°C (115°F) over ambient
<b>A.C. Rectifier</b>	Integral full wave bridge
<b>Lead Wire</b>	18 gauge 24" long, 600 volt rating
<b>Lead Wire Strain Relief</b>	34 kg (75 lbs.) @ 21°C (70°F) & 18 kg (40 lbs.) @ 93°C (200°F)
<b>Encapsulating Material</b>	Glass filled nylon, resistant to moisture, caustic solutions, fungus, and temperatures from -40°C (-40°F) to 200°C (392°F)
<b>Finish</b>	Black — Standard Duty Red — Heavy Duty

### Symbol

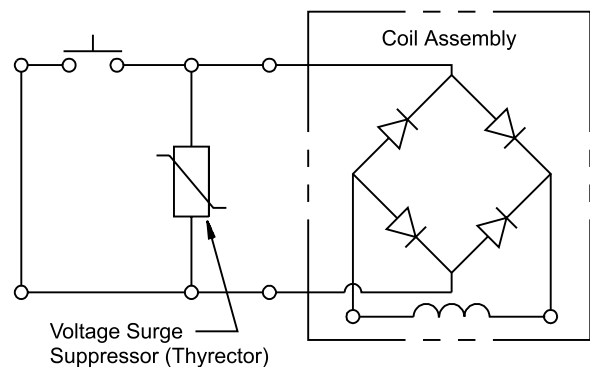


### NOTE:

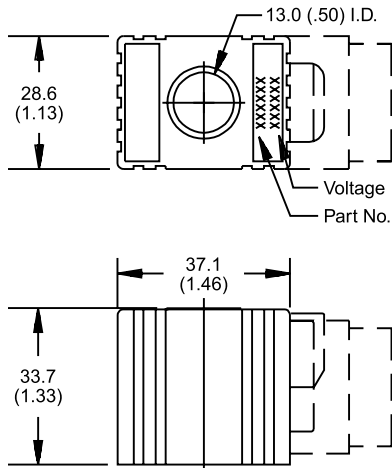
Parker A.C. Coils incorporate integrally molded full wave rectifiers which are rated for reverse voltage peaks of 1000 volts maximum. For voltage transients greater than 1000 volts P.I.V., Harris Thyrector V150LA10A or V150LA20A for 115 VAC and V250LA15A or V250LA40A for 200 VAC is recommended.

### Coil Assembly

No inductive or capacitive loads can be installed between surge suppressor and rectified valves.

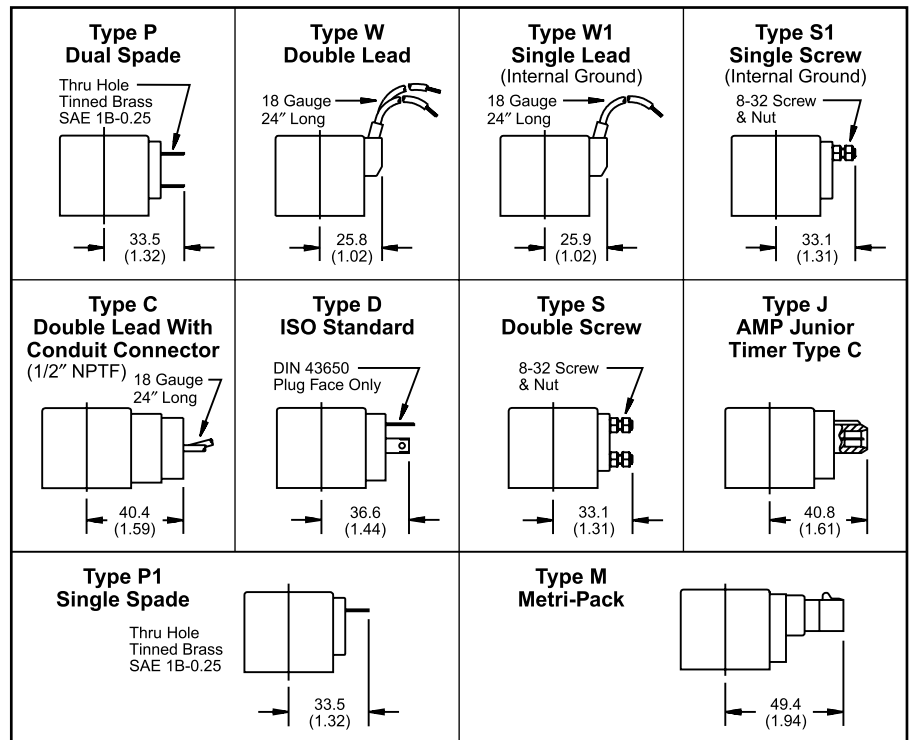


**Terminal Styles and Dimensions**



**NOTES:**

1. Coil to be installed with part number on nut side.
2. Lead wires are 18 gauge, 24" long. Available with different weather pack connectors.
3. For additional terminals, voltages and wattages, consult factory for details.



**Coil Part Numbers**

Voltage	Watts	Type P Double Spade	Type W Double Lead	Type W1 Single Lead	Type S1 Single Screw	Type C Conduit Connector	Type D DIN Plug Face	Type S Double Screw	Amps*	Lead Wire Color
6 VDC	12	851007-006	851009-006	851015-006	851013-006	851003-006	851005-006	851011-006	2.22	Black
	25	851008-006	851010-006	851016-006	851014-006	851004-006	851006-006	851012-006	3.90	
10 VDC	12	851007-010	851009-010	851015-010	851013-010	851003-010	851005-010	851011-010	1.43	Yellow
	25	851008-010	851010-010	851016-010	851014-010	851004-010	851006-010	851012-010	2.48	
12 VDC	12	851007-012	851009-012	851015-012	851013-012	851003-012	851005-012	851011-012	1.05	Red
	25	851008-012	851010-012	851016-012	851014-012	851004-012	851006-012	851012-012	1.94	
18 VDC	12	851007-018	851009-018	851015-018	851013-018	851003-018	851005-018	851011-018	0.75	Gray
	25	851008-018	851010-018	851016-018	851014-018	851004-018	851006-018	851012-018	1.42	
24 VDC	12	851007-024	851009-024	851015-024	851013-024	851003-024	851005-024	851011-024	0.52	Blue
	25	851008-024	851010-024	851016-024	851014-024	851004-024	851006-024	851012-024	1.17	
36 VDC	12	851007-036	851009-036	851015-036	851013-036	851003-036	851005-036	851011-036	0.38	Orange
	25	851008-036	851010-036	851016-036	851014-036	851004-036	851006-036	851012-036	0.73	
48 VDC	12	851007-048	851009-048	851015-048	851013-048	851003-048	851005-048	851011-048	0.26	Green
	25	851008-048	851010-048	851016-048	851014-048	851004-048	851006-048	851012-048	0.59	
120 VAC	12					851003-120	851005-120		0.14	Brown
	25					851004-120	851006-120		0.23	
230 VAC	12					851003-240	851005-240		0.08	White
	25					851004-240	851006-240		0.12	
440 VAC	12					851003-480	851005-480		0.04	Violet
	25					851004-480	851006-480		0.07	

\*Amperage draw @ 21°C (70°F)