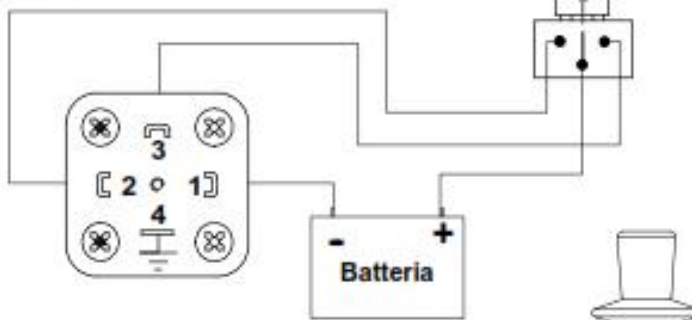
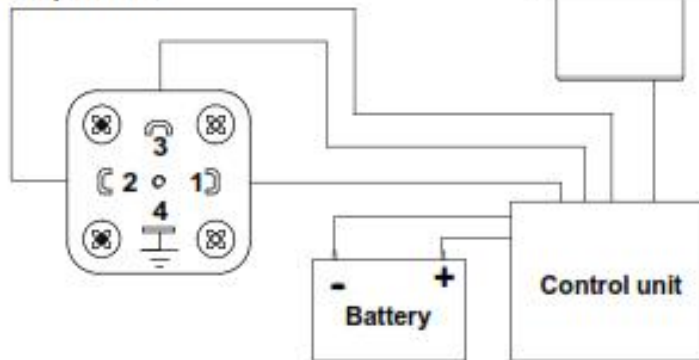


Connecting examples

On / Off



Proportional



Solenoid operating features

Nominal supply voltage	12 VDC	24VDC
Max supply voltage	15 V	30 V
Power rating		9,5 W
Resistance (20°C)	6.7Ω	27.2Ω
Duty cycle		100%
Actuating time from neutral to max oil flow		180 ms
Actuating time from max oil flow to neutral position		100 ms
Weather protection (IEC529)		IP65
Proportional		
Total hysteresis		< 20%
Min. initial shift current	500 mA	180 mA
Max. fully shift current	1000 mA	510 mA
Dither frequency		220/230 Hz
ON-OFF		
Current absorption	1,26 A	0,63 A

Solenoid ordering code

CODE	DESCRIPTION
4SOL650012	12 VDC solenoid
4SOL650024	24 VDC solenoid

