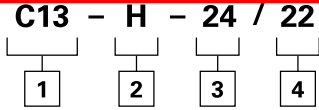


C13 and C16 Series - Solenoid Coil

C16- H - 24 / 29

Model Code



1 Coil Series

- C13 - 13 mm tube
- C16 - 16 mm tube

2 Connection

- H - DIN43650 ISO Standard
- F - Flying Leads (12 and 24 VDC only)
- DM - Deutsch Moulded (12 and 24 VDC only) (Consult factory for other options)

3 Voltage

12	12 VDC
24	24 VDC
110	110 VRAC
220	220 VRAC*

*220 to 240 VAC

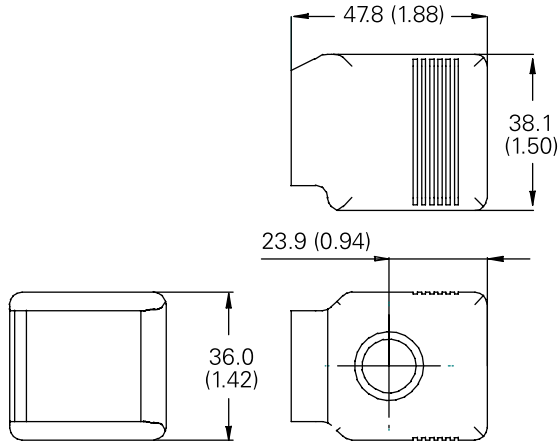
All AC coils must be used with a rectifying connector: (AXP9997-115 or AXP9997-230) (Other voltages available on request)

4 Wattage

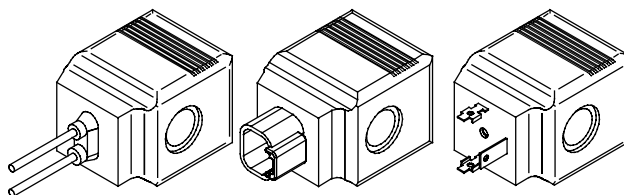
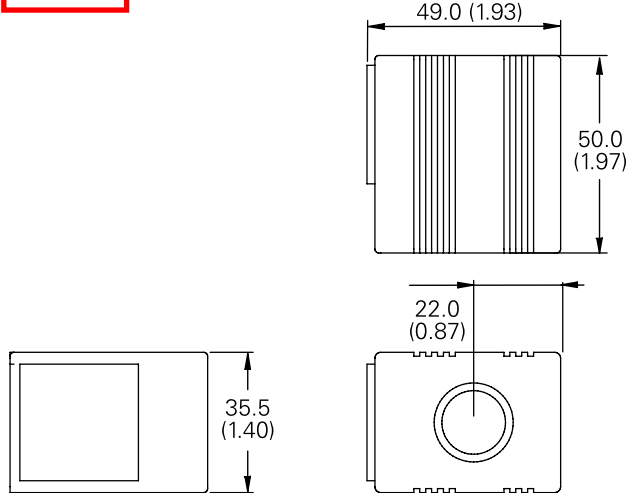
C13	C16
14 = 14 Watt	19 = 19 Watt
22 = 22 Watt	29 = 29 Watt
27 = 27 Watt	

We reserve the right to change specifications without notice

C13 Coils



C16 Coils



Where measurements are critical request certified drawings. We reserve the right to change specifications without notice.