

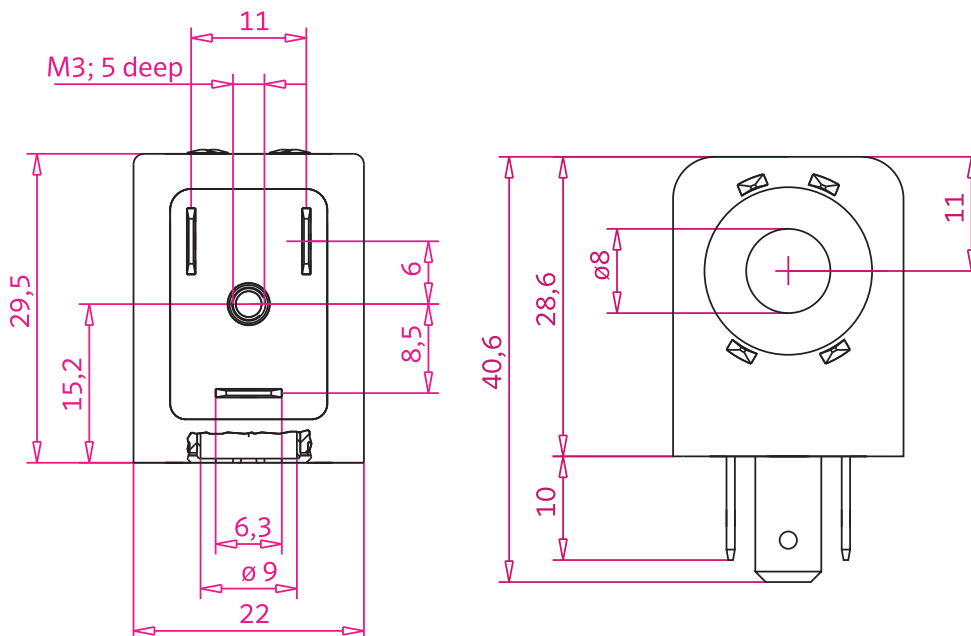


SOLENOID COIL

Width: 22 mm
Connection type: industry form
Moulding material: thermoset resin

General Data

Voltage tolerance ± 10 %
Ambient temperature - 20 °C to + 50 °C
Relative duty cycle 100 %
Insulation class of insulating materials
according to DIN VDE 0580 F
Degree of protection with connector
according to EN 60529 IP 65
Imprint *nass magnet* (customer imprint possible)
Protection class I





Technical Data Standard Versions

Part No.	Voltage	Frequency [Hz]	Rated Power [W]	Power Level [VA]	Power Level	$\Delta\theta_{32}$ [K]
108-030-0048	24 V DC	-	2,0		2	35
108-030-0862	110 V AC	50		4,1	2	50
108-030-0862	110 V AC	60		3,3	2	50
108-030-0798	230 V AC	50		3,9	2	50
108-030-0798	230 V AC	60		3,2	2	50
108-030-0050	24 V DC	-	2,6		3	45
108-030-0052	24 V AC	50		6,0	3	75
108-030-0052	24 V AC	60		4,9	3	75
108-030-0049	220 V AC	50		6,0	3	75
108-030-0049	220 V AC	60		4,9	3	75
108-030-0051	230 V AC	50		6,0	3	75
108-030-0051	230 V AC	60		4,9	3	75
108-030-0043	12 V DC	-	4,6		4	70
108-030-0043	24 V AC	50		7,1	4	90
108-030-0044	24 V DC	-	4,8		4	70
108-030-0044	48 V AC	50		7,7	4	90
108-030-0047	220 V AC	50		8,5	4	95
108-030-0046	230 V AC	50		7,9	4	90
108-030-0046	230 V AC	60		6,4	4	90
108-030-0047	240 V AC	60		9,0	4	95
108-030-1169	12 V DC	-	5,5		5	85
108-030-0045	24 V DC	-	6,0		5	85
108-030-1169	24 V AC	50		9,2	5	105
108-030-0045	48 V AC	60		7,6	5	85
108-030-1120	230 V AC	50		9,4	5	102

$\Delta\theta_{32}$ [K]: steady-state over-temperature according to VDE 0580

