

General Description

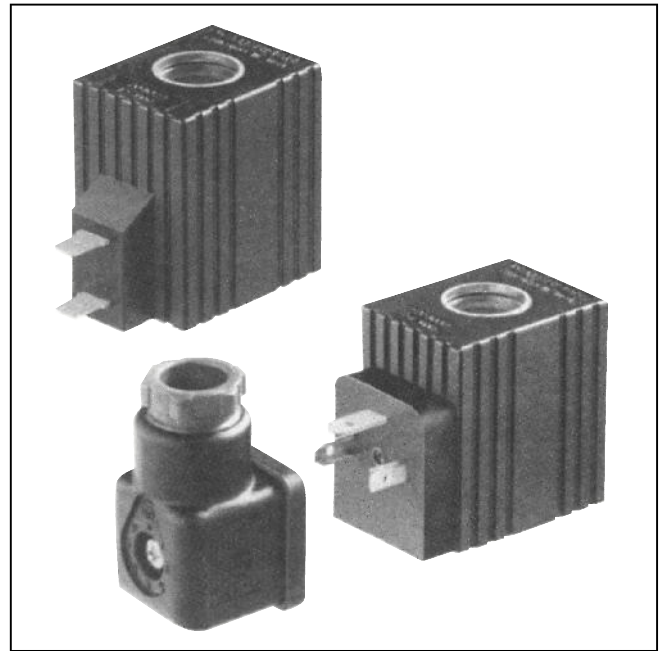
Coils are used on "DS" Series up to 210 Bar (3000 PSI) pressure application. The coils are smaller (height and width) than the Unicoils used on "DSL" Series operating at 210 Bar (3000 PSI) or "DSH" Series operating at 345 Bar (5000 PSI) and also **non-interchangeable**.

Features

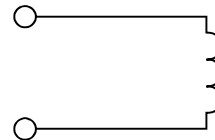
- One piece compact encapsulated design
- Minimal amperage draw
- Numerous terminals and voltages
- Coil interchangeability with all Series 10, 12, 16 and 20 valves
- Heavy duty design optional
- Heavy gauge color coded lead wire with built-in strain relief
- U.L. recognized on all DC coils
- C.S.A. approved
- H Class wire standard

Specifications

Wattage	17 Watts — Standard Duty 30 Watts — Heavy Duty
Duty Rating	Continuous @ 100% voltage
Wire Class	Class H for all voltages
Heat Rise	45°C (115°F) over ambient
A.C. Rectifier	Integral full wave bridge
Lead Wire	18 gauge 24" long, 600 volt rating
Lead Wire Strain Relief	34 kg (75 lbs.) @ 21°C (70°F) & 18 kg (40 lbs.) @ 93°C (200°F)
Encapsulating Material	Glass filled nylon, resistant to moisture, caustic solutions, fungus, and temperatures from -40°C (-40°F) to 200°C (392°F)
Finish	Black — Standard Duty Red — Heavy Duty



Symbol

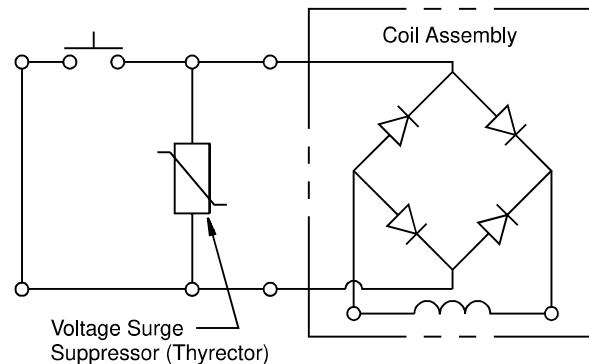


NOTE:

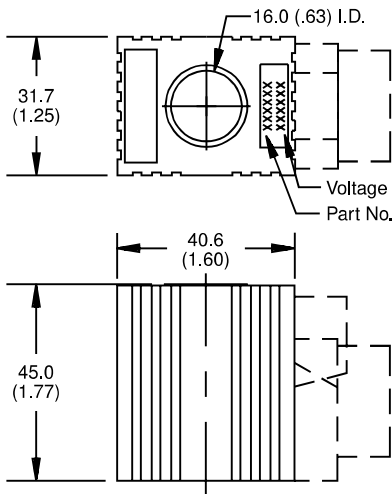
Parker A.C. Coils incorporate integrally molded full wave rectifiers which are rated for reverse voltage peaks of 1000 volts maximum. For voltage transients greater than 1000 volts P.I.V., Harris Thyrector V150LA10A or V150LA20A for 115 VAC and V250LA15A or V250LA40A for 200 VAC is recommended.

Coil Assembly

No inductive or capacitive loads can be installed between surge suppressor and rectified valves.



Terminal Styles and Dimensions



NOTES:

1. Coil to be installed with part number on nut side.
2. Lead wires are 18 gauge, 24" long. Available with different weather pack connectors.
3. For additional terminals, voltages and wattages, consult factory for details.

<p>Type P Dual Spade Thru Hole Tinned Brass SAE 1B-0.25</p>	<p>Type W Double Lead 18 Gauge 24" Long</p>	<p>Type W1 Single Lead (Internal Ground) 18 Gauge 24" Long</p>	<p>Type S1 Single Screw (Internal Ground) 8-32 Screw & Nut</p>
<p>Type C Double Lead With Conduit Connector (1/2" NPTF) 18 Gauge 24" Long</p>	<p>Type D ISO Standard DIN 43650 Plug Face Only</p>	<p>Type S Double Screw 8-32 Screw & Nut</p>	<p>Type J AMP Junior Timer Type C</p>
<p>Type P1 Single Spade Thru Hole Tinned Brass SAE 1B-0.25</p>	<p>Type M Metri-Pack</p>		

Coil Part Numbers

Voltage	Watts	Type P Double Spade	Type W Double Lead	Type W1 Single Lead	Type S1 Single Screw	Type C Conduit Connector	Type D DIN Plug Face	Type S Double Screw	Amps*	Lead Wire Color
6 VDC	17	851021-006	851023-006	851027-006	851025-006	851017-006	851019-006	851053-006	2.43	Black
	30	851022-006	851024-006	851028-006	851026-006	851018-006	851020-006	851054-006	4.84	
10 VDC	17	851021-010	851023-010	851027-010	851025-010	851017-010	851019-010	851053-010	1.58	Yellow
	30	851022-010	851024-010	851028-010	851026-010	851018-010	851020-010	851054-010	3.28	
12 VDC	17	851021-012	851023-012	851027-012	851025-012	851017-012	851019-012	851053-012	1.44	Red
	30	851022-012	851024-012	851028-012	851026-012	851018-012	851020-012	851054-012	2.30	
18 VDC	17	851021-018	851023-018	851027-018	851025-018	851017-018	851019-018	851053-018	0.94	N/A
	30	851022-018	851024-018	851028-018	851026-018	851018-018	851020-018	851054-018	1.86	
24 VDC	17	851021-024	851023-024	851027-024	851025-024	851017-024	851019-024	851053-024	0.72	Blue
	30	851022-024	851024-024	851028-024	851026-024	851018-024	851020-024	851054-024	1.20	
36 VDC	17	851021-036	851023-036	851027-036	851025-036	851017-036	851019-036	851053-036	0.43	Orange
	30	851022-036	851024-036	851028-036	851026-036	851018-036	851020-036	851054-036	0.88	
48 VDC	17	851021-048	851023-048	851027-048	851025-048	851017-048	851019-048	851053-048	0.30	Green
	30	851022-048	851024-048	851028-048	851026-048	851018-048	851020-048	851054-048	0.58	
120 VAC	17					851017-120	851019-120		0.15	Brown
	30					851018-120	851020-120		0.24	
230 VAC	17					851017-240	851019-240		0.08	White
	30					851018-240	851020-240		0.13	
440 VAC	17					851017-480	851019-480		0.04	Violet
	30					851018-480	851020-480		0.07	

*Amperage draw @ 21 °C (70 °F)