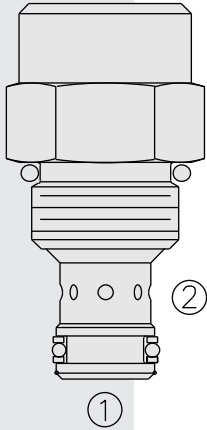
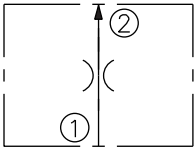


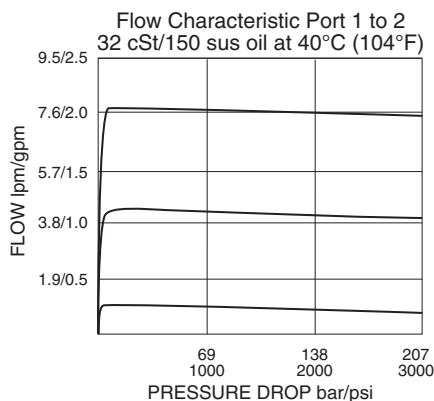
FR08-20F Regulator, Pressure-Compensated



ISO SYMBOL



PERFORMANCE (Cartridge Only)



DESCRIPTION

A screw-in, cartridge-style, fixed orifice, pressure-compensated, hydraulic flow regulating valve (restrictive type).

OPERATION

The **FR08-20F** maintains a constant flow rate from port 1 to port 2 regardless of load pressure changes. Reverse flow returns through the control orifice and is non-compensated.

FEATURES

- Hardened parts for long life.
- Quiet, modulated response.
- Compact size.

RATINGS

Pressure Rating: 240 bar (3500 psi)

Proof Pressure: 345 bar (5000 psi)

Burst Pressure: 896 bar (13000 psi)

Flow Rating: 0.2 lpm (0.05 gpm) min., 7.5 lpm (2.0 gpm) max.

Standard Compensator Bias Spring: 5.5 bar (80 psid) differential

Flow Maintenance Setting Range: 0.2 to 1.8 lpm (0.05 to 0.49 gpm) to accuracy of $\pm 15\%$; 1.9 to 7.5 lpm (0.5 to 2.0 gpm) to accuracy of $\pm 10\%$

Temperature: -40 to 100°C (-40 to 212°F) with Buna N seals;

-26 to 204°C (-15 to 400°F) with fluorocarbon seals;

-54 to 107°C (-56 to 225°F) with polyurethane seals.

Filtration: See page 9.010.1

Fluids: Mineral-based or synthetics with lubricating properties at viscosities of

7.4 to 420 cSt (50 to 2000 sus); See Temperature and Oil Viscosity, page 9.060.1

Installation: No restrictions; See page 9.020.1

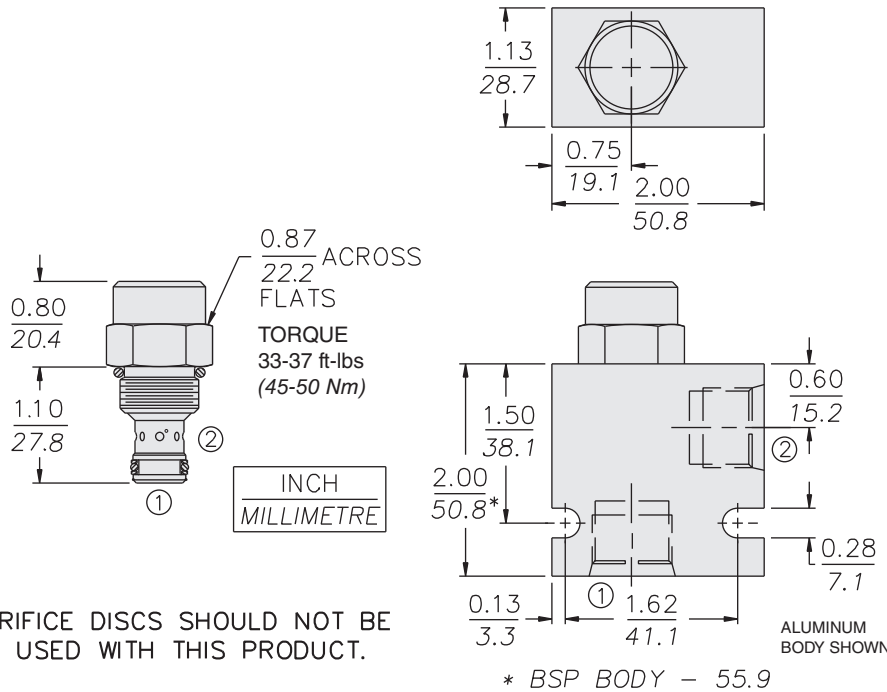
Cavity: VC08-2; See page 9.108.1

Cavity Tool: CT08-2XX; See page 8.600.1

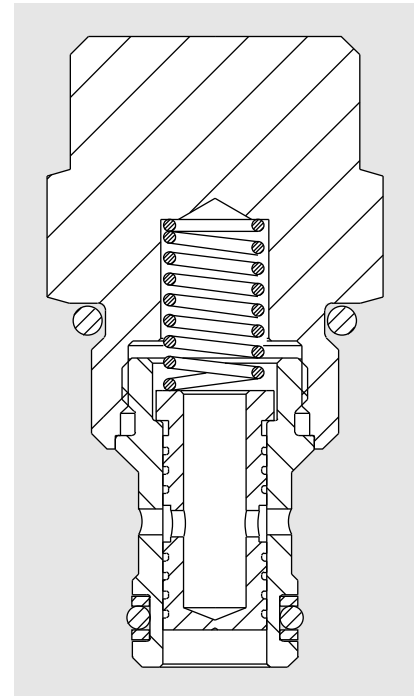
Seal Kit: SK08-2X-M; See page 8.650.1

FR08-20F

DIMENSIONS



ORIFICE DISCS SHOULD NOT BE USED WITH THIS PRODUCT.



MATERIALS

Cartridge: Weight: 0.09 kg (0.20 lb)
Steel with hardened work surfaces.
Zinc-plated exposed surfaces.
Buna N O-rings and fluorocarbon back-ups standard.

Standard Ported Body: Weight: 0.16 kg (0.35 lb)
Anodized high-strength aluminum alloy, rated to 207 bar (3000 psi). Ductile iron bodies available; dimensions may differ. See page 8.008.1

TO ORDER

FR08-20F - - - /

<p>Porting</p> <p>Cartridge Only 0</p> <p>SAE 4 4T</p> <p>SAE 6 6T</p> <p>1/4 in. BSP* 2B</p> <p>3/8 in. BSP* 3B</p> <p>*BSP Body; U.K. Mfr. Only</p>	<p>Setting in lpm</p> <p>Range: 2.0 to 7.5 lpm Specify, for example:</p> <p>M1.8 1.8 lpm</p> <p>M5.0 5.0 lpm etc.</p> <p>Setting in gpm</p> <p>Range: 0.05 to 2.0 gpm Specify, for example:</p> <p>1.3 1.3 gpm</p> <p>2.0 2.0 gpm etc.</p> <p>Drill Size Method</p> <p>In thousandths of an inch. Specify, for example:</p> <p>D030 0.031 in. control orifice hole etc.</p>
--	---

<p>Seals</p> <p>Buna N (Std.) N</p> <p>Fluorocarbon V</p> <p>Polyurethane P</p>
--

Note: Compensator spring values may be varied for OEM application to provide changed differential pressure/output flow relationships. Consult factory.

Note: Minimum drill diameter is 0.020 in. For smaller orifice sizes consult factory.