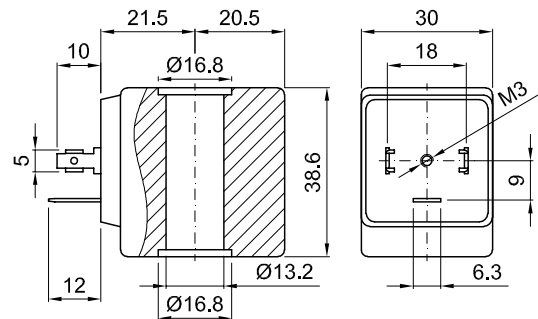


## DESCRIPTION

Encapsulated coil incorporating the magnetic circuit.  
 Fixing by means of a central nut.  
 Electrical connection according to DIN 43650 A.


## CONSTRUCTION

Encapsulation:  
 Class F                      Fibre-glass Nylon  
 Class H                      Fibre-glass Polyarylamide  
 Magnetic circuit              Zinc-plated steel  
 Windings                      Copper covered with class H insulation



**OPTIONS:** Electrical connection through cable  
 Special powers and voltages  
 Self-extinguish

Certified versions  **US**

CODE		Alternating current Frequency 50/60Hz Voltage Volt	Direct current Voltage Volt	Power ①		Voltage tolerance		Connector	Service ED
Insulation class F	Insulation class H			Alternating Current VA	Direct Current W	Alternating Current	Direct Current		
20A	22A	12	-	15	10	+15%	±10%	10349000	100%
20B	22B	24	-						
20C	22C	48	-						
20D	22D	110	-						
20E	22E	220/230	-						
20F	22F	240	-			-10%	±10%	10349060	
20G	22G	380	-						
200	220	-	12						
201	221	-	24						
202	222	-	48						
-	U25D	120V 60Hz	 <b>US</b>						
-	U25E	230V 60Hz							

① Considering nominal voltage and an ambient temperature of 20°C