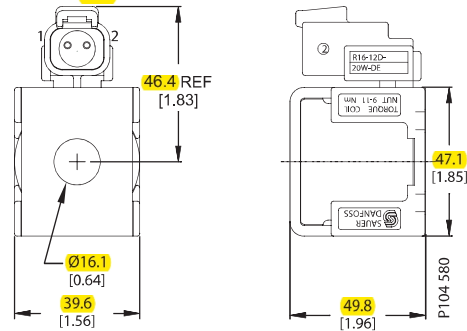


TERMINALS
(continued)

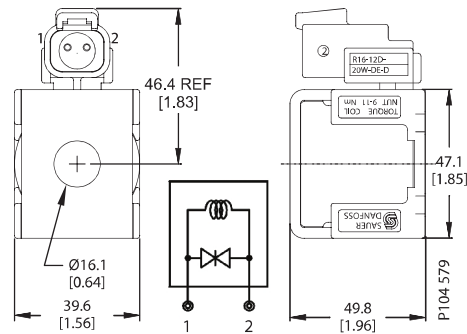
Deutsch
Code DE



Part numbers

Voltage (V)	Power (W)	Part Number
10 VDC	20	R16-10D-20W-DE
12 VDC	20	R16-12D-20W-DE
20 VDC	20	R16-20D-20W-DE
24 VDC	20	R16-24D-20W-DE

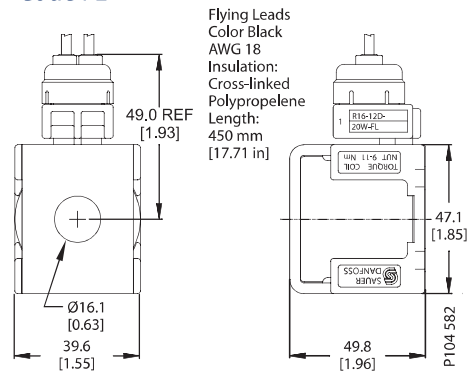
Deutsch w/diode Bi-Directional
Code DEDB



Part numbers

Voltage (V)	Power (W)	Part Number
10 VDC	20	R16-10D-20W-DEDB
12 VDC	20	R16-12D-20W-DEDB
20 VDC	20	R16-20D-20W-DEDB
24 VDC	20	R16-24D-20W-DEDB

Lead wires
Code FL



Part numbers

Voltage (V)	Power (W)	Part Number
10 VDC	20	R16-10D-20W-FL
12 VDC	20	R16-12D-20W-FL
20 VDC	20	R16-20D-20W-FL
24 VDC	20	R16-24D-20W-FL

mm [in]