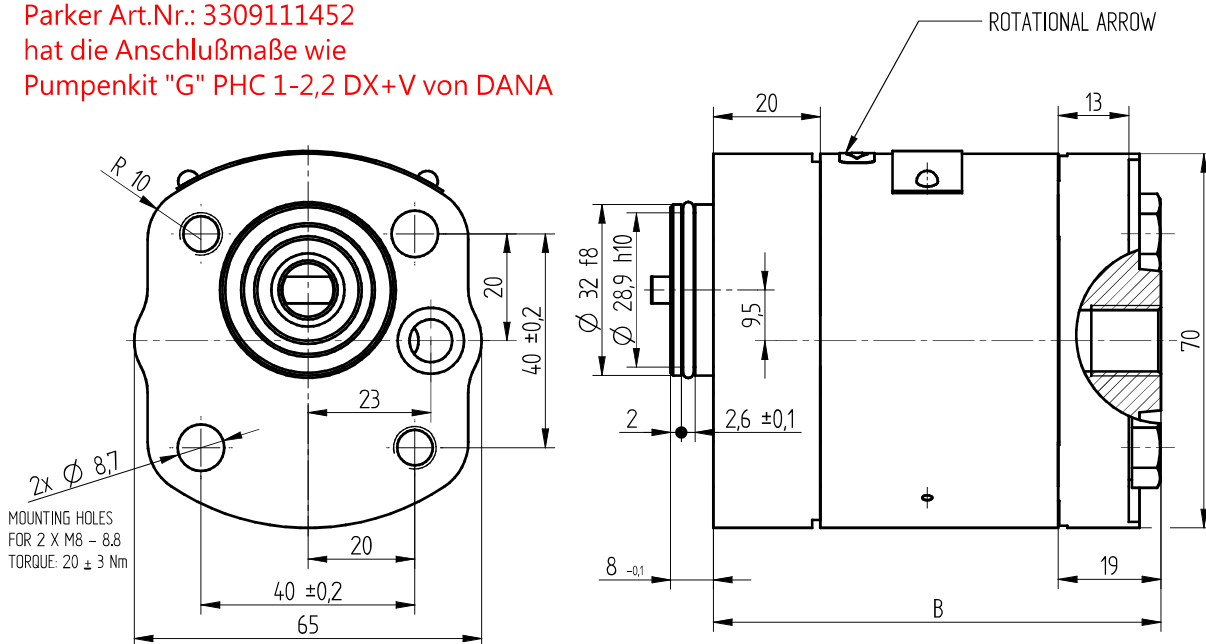


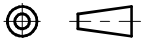
SECTION A-A

Hinweis:
 Außenzahnpumpe PGP502A0025CV1P1NE1B1E1B1
 Parker Art.Nr.: 3309111452
 hat die Anschlußmaße wie
 Pumpenkit "G" PHC 1-2,2 DX+V von DANA



0079	7,9		100,6	500	1 500	140	1,55	330 9111 487
0062	6,2		94,3	500	1 800	180	1,45	330 9111 431
0058	5,8		92,8	500	2 000	200	1,35	330 9111 488
0048	4,8		89,0	500	2 400	230	1,35	330 9111 489
0043	4,3		87,5	500	2 600	250	1,25	330 9111 490
0036	3,6		84,6	500	3 200	260	1,15	
0033	3,3		83,5	500	3 500	280	1,15	330 9111 422
0025	2,5		80,5	500	4 500	280	1,15	330 9111 452
0021	2,1		78,9	500	4 500	280	1,05	330 9111 491
0016	1,6		77,3	500	5 000	280	1,05	330 9111 451
0012	1,2		75,8	500	5 000	280	1,05	330 9111 453
0008	0,8		74,3	500	5 000	280	1,05	330 9111 492
xxxx	cm ³ /rev		B	min. rpm	max. rpm	bar	kg	Clockwise
Displacement		Dimension		Speed of rotation		Max pressure	Weight	TDN

THIRD ANGLE PROJECTION



EXP NO.

FIRST USED

07 - 03 - 952

SYM. REVISIONS

G - 7,9CC; 5,8CC; 4,8CC; 4,3CC; 2,1CC; 0,8CC ADDED, 15-06-922
 F - CORRECTED DIMENSION "B" FOR 1,2CC
 E - 1,2CC ADDED 10-02-934
 D - 1,6CC and 2,5CC ADDED 09-11-903
 C - COVER CHANGED
 B - SPOTFACE CHANGED
 A - 330 9111 431, 6,2cc, ADDED, 08-02-928

THIS DOCUMENT CONTAINS INFORMATION THAT IS CONFIDENTIAL AND PROPRIETARY TO PARKER-HANNIFIN CORPORATION ("PARKER"). THIS DOCUMENT IS FURNISHED ON THE UNDERSTANDING THAT THE DOCUMENT AND THE INFORMATION IT CONTAINS WILL NOT BE COPIED OR DISCLOSED TO OTHERS OR USED FOR ANY PURPOSE OTHER THAN CONDUCTING BUSINESS WITH PARKER, AND WILL BE RETURNED AND ALL FURTHER USE DISCONTINUED UPON REQUEST BY PARKER. ALL RIGHTS RESERVED.

PGP502AxxxCV1P1NE1B1E1B1

MATERIAL

ADM CTR P

REV DTE 17JUN15

WT SEE TABLE

H.E.-STD:

DIMENSIONS ARE MM

Pump & Motor Division
Parker
 Chemnitz

DR BY DATE CR BY DATE SCALE
 RP 22JAN08 VP 22JAN08 1/1

SEE TABLE

© 2009 Parker-Hannifin Corporation