



PVG32157B3171 Mechanische Handbedienung

Technische Informationen

Artikelnummer PVG32157B3171

Originalnummer 157B3171

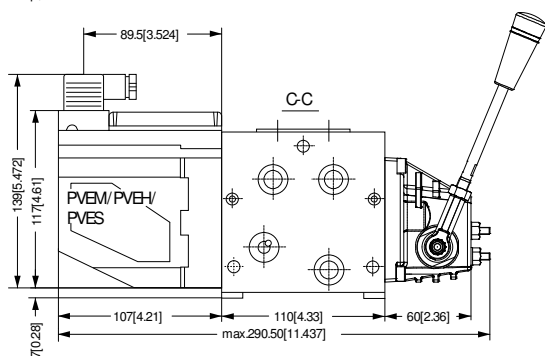
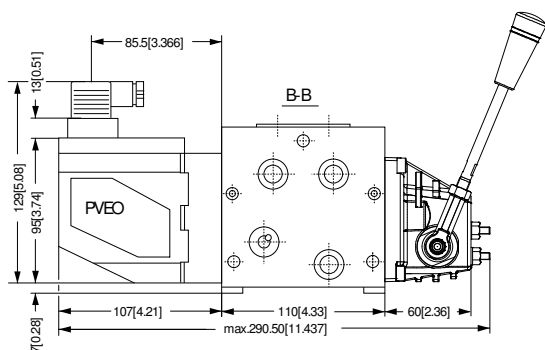
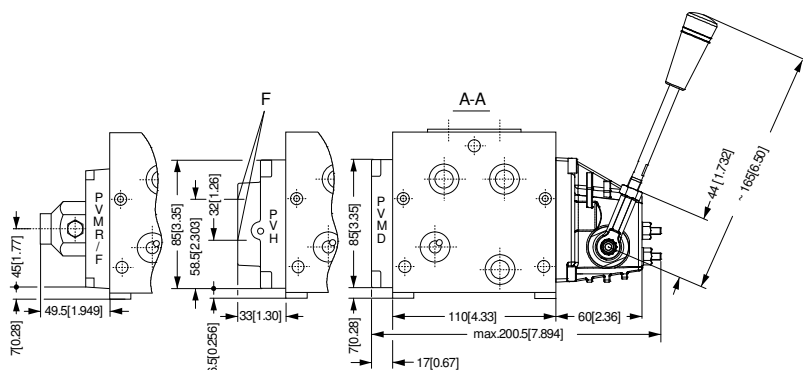
Einheit Stück

Ausführung

Serienmäßig federzentriert, individuelle Volumenstromverstellung an Anschluss A und B, 22,5°



Dimensions

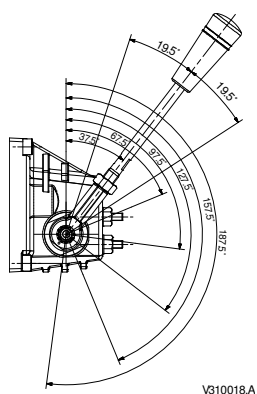


V310141.A

F: G 1/4, 12 mm deep [1/2 in - 20, 0.47 in deep]

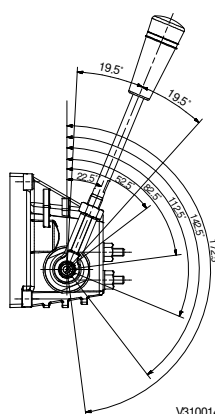
PVM, control lever positions

Base with an angle of 37.5°



V310018.A

Base with an angle of 22.5°



V310014.A

Technical Information
PVG 32 Proportional Valve Group

Modules symbols, description and code numbers

PVM, mechanical actuation

PVM, mechanical actuation

Symbol	Description	Code number	
		with stop screws	w/o stop screws
	PVM, Standard, spring centered Individual oil flow adjustment to ports A and B	157B3171	157B3191
	Without actuation lever and base. Shaft for mounting of actuation lever	157B3173	157B3193
	PVM, as standard, without actuation lever. With base for mounting of actuation lever	157B3174	157B3194
	PVM, Standard, spring. Individual oil flow adjustment to ports A and B. (Anodized)	157B3184	-

PVMD, cover for mechanical actuation

Symbol	Description	Material	Code No.	Anodized
—	PVMD, Cover for purely mechanically operated valve	aluminium	157B0001	no
		aluminium	157B0009	yes
		cast iron	157B0021	no

PVMR, friction detent

Symbol	Description	Material	Code number	Anodized
	PVMR, Friction detent	aluminium	157B0004	no
		aluminium	157B0012	yes
		cast iron	157B0024	-

PVMF, mechanical float position

Symbol	Description	Material	Code number	Anodized
	PVMF, Mechanical float position lock	aluminium	157B0005	no