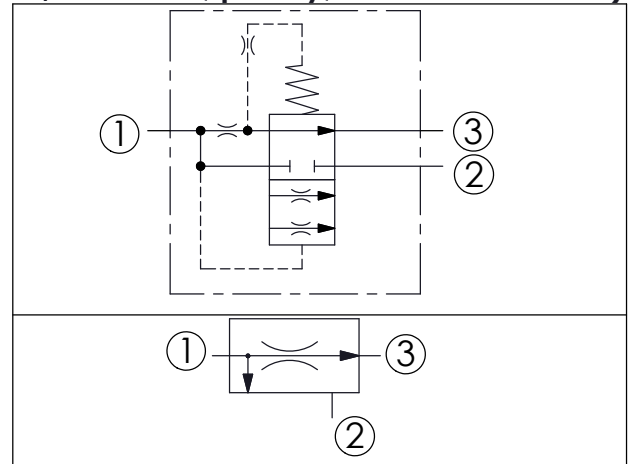
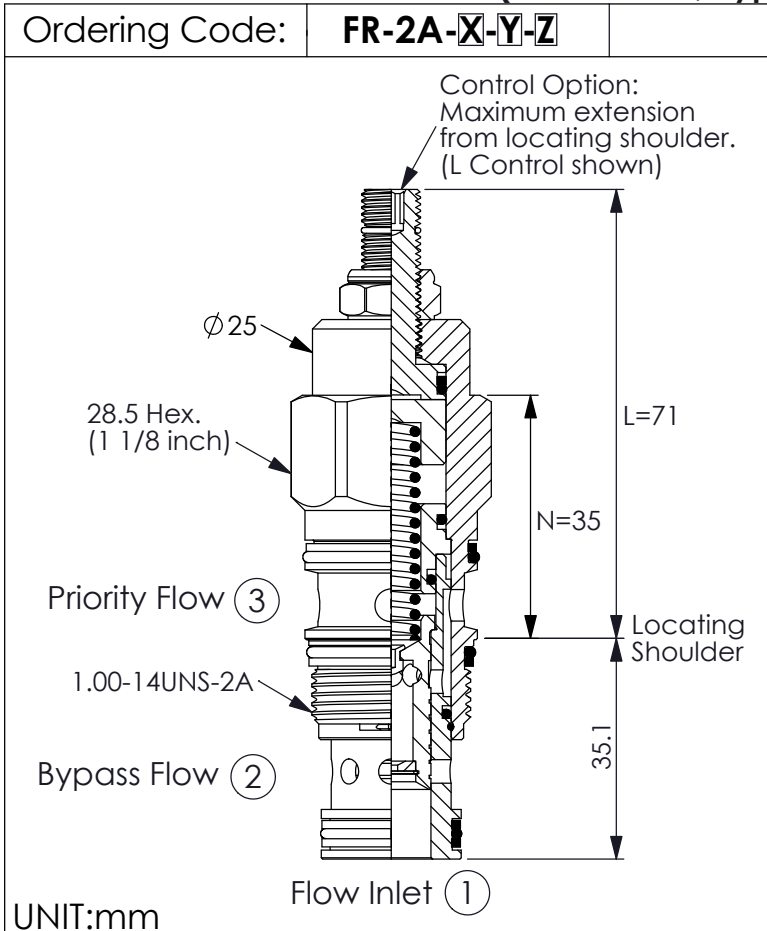


FLOW CONTROL VALVE

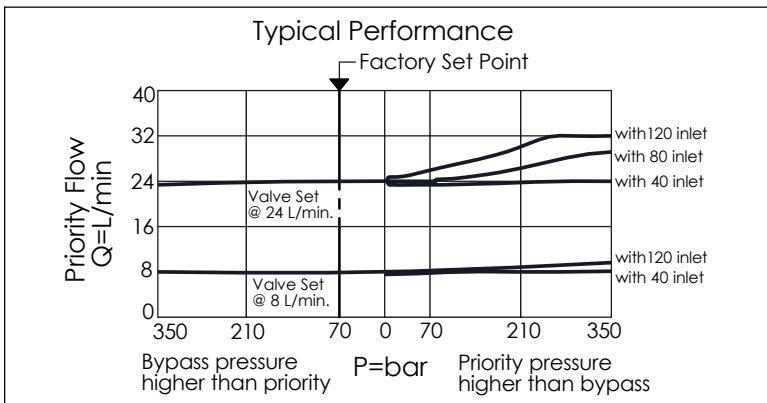
(Fixed orifice, bypass/restrictive, priority, flow control valve)



TECHNICAL DATA

Max. pressure:	350	bar
Maximum Inlet Flow:	120	l/min
Priority Flow Ranges:	0.4~50	l/min
Cavity-Tooling:	2A-3	
Installation torque:	60-70	Nm
Weight:	0.27	kg

- Pressure at the bypass port (port 2) may exceed pressure at the priority port (port 3)
- Both priority and bypass flow are usable up to the system operating pressure
- Bypass flow is not available until priority flow requirements are satisfied
- Blocking priority flow will also block bypass flow



Y	Priority Flow (customer must specify flow)
0010	Example: 1.0 LPM
0075	Example: 7.5 LPM
0120	Example: 12.0 LPM
0150	Example: 15.0 LPM
0250	Example: 25.0 LPM
0300	Example: 30.0 LPM
0400	Example: 40.0 LPM
0420	Example: 42.0 LPM
0450	Example: 45.0 LPM
0600	Example: 60.0 LPM

.Customer must specify a flow rating
.Factory set flow ratings are within +/- 10% of the requested setting

X	OPERATION
3F	3 Port, Fixed Orifice, Bypass/Restrictive

Z	OPTIONS
N	Non-adjustable (Factory set at customer specified flow)
L	Leakproof hex. socket screw. (Tuning Adjustment ±25% of customer specified flow)
K	Handknob with Lock Knob. (Tuning Adjustment ±25% of customer specified flow)