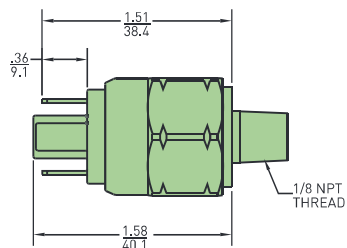
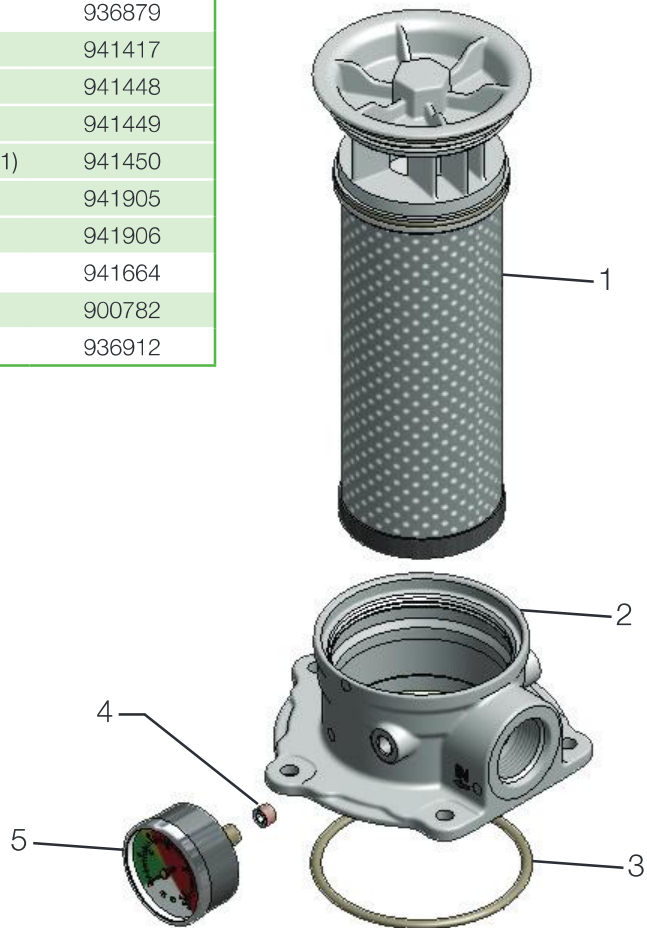


PT Series

PT4 Parts List

INDEX	PART DESCRIPTION	PART NUMBER
1	PT4-1-02Q-25 psid bypass	936742
	PT4-1-05Q-25 psid bypass	936743
	PT4-1-10Q-25 psid bypass	936744
	PT4-1-20Q-25 psid bypass	936745
	PT4-2-02Q-25 psid bypass	936746
	PT4-2-05Q-25 psid bypass	936747
	PT4-2-10Q-25 psid bypass	936748
	PT4-2-20Q-25 psid bypass	936749
	PT4-3-02Q-25 psid bypass	936876
	PT4-3-05Q-25 psid bypass	936877
	PT4-3-10Q-25 psid bypass	936878
	PT4-3-20Q-25 psid bypass	936879
2	PT4 DIE CAST SAE-16 (1.312-12 UN-2B)	941417
	PT4 DIE CAST SAE-20 (1.625-12 UN-2B)	941448
	PT4 DIE CAST 1" NPT (1.000-11.5 NPTF-1)	941449
	PT4 DIE CAST 1 1/4" NPT (1.250-11.5 NPTF-1)	941450
	PT4 DIE CAST G1" BSPF	941905
	PT4 DIE CAST G1 1/4" BSPF	941906
3	O-RING	941664
4	1/8-27 PIPE PLUG	900782
5	1/8-27 PRESSURE GAUGE	936912



Linear Measure = $\frac{\text{inches}}{\text{mm}}$

926923
2-pin normally open switch

PT Series

Tank top filters

How To Order

Select the desired symbol (in the correct position) to construct a model code.

Example:

BOX 1	BOX 2	BOX 3	BOX 4	BOX 5	BOX 6	BOX 7	BOX 8
PT2	1	10Q	B	G	G	S16	1

BOX 1: Filter Series	
Symbol	Description
PT2	Basic Model, 25 gpm
PT4	Basic Model, 50 gpm

BOX 2: Length	
Symbol	Description
1	Single
2	Double
3	Triple (PT4 only)

BOX 3: Media Code	
Symbol	Description
02Q	Microglass, 2 micron
05Q	Microglass, 5 micron
10Q	Microglass, 10 micron
20Q	Microglass, 20 micron

BOX 4: Seals	
Symbol	Description
B	Nitrile
V	Fluorocarbon

BOX 5: Indicator	
Symbol	Description
P	Plugged Ports
G	Pressure Gauge, 25 psi
S	Pressure switch

BOX 6: Bypass	
Symbol	Description
G	25 PSI (1.7 bar)

BOX 7: Ports	
Symbol	Description
	PT2
G12	G3/4" BSPP²
G16	G1 BSPP ²
N12	3/4" NPT
N16	1" NPT
S12	SAE-12
S16	SAE-16
	PT4
G16	G1" BSPP ²
G20	G1-1/4" BSPP ²
N16	1" NPT
N20	1-1/4" NPT
S16	SAE-16
S20	SAE-20

BOX 7: Options	
Symbol	Description
1	None
W ³	Steel weld ring

Notes:

1. The filters include the element you select already installed.
2. When "G12", "G16" or "G20" are selected in Box 7, "P" must be selected in Box 5. BSPP Gauge and Switch are available as separate accessory components.
3. When "W" is selected in Box 8, the PT2 port options are "N12" and "S12"; the PT4 port options are "N16" and "S16".

Please note the bolded options reflect standard options with a reduced lead time.