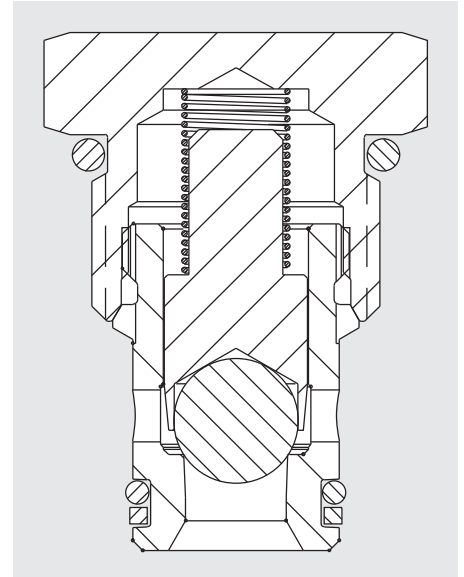
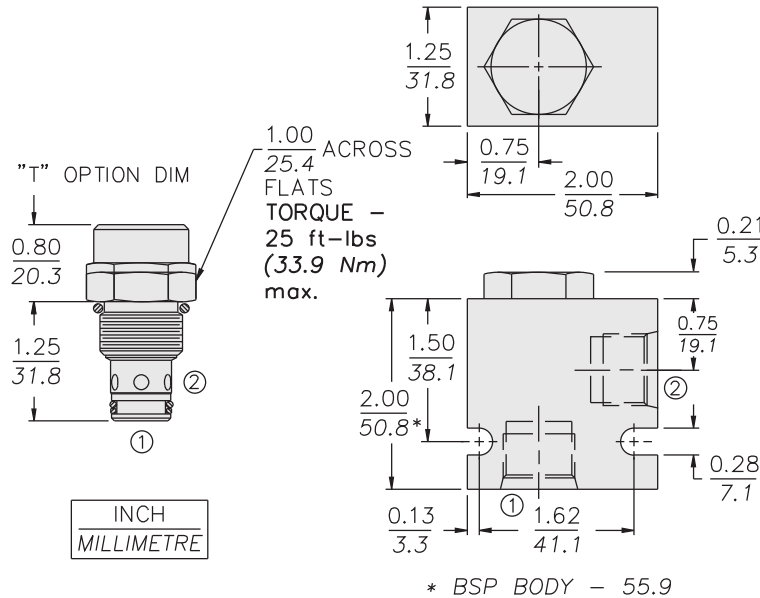


**DIMENSIONS**



**MATERIALS**

**Cartridge:** Weight: 0.08 kg. (0.17 lbs.)  
Steel with hardened work surfaces.  
Zinc-plated exposed surfaces.  
Buna N O-rings and polyester  
elastomer back-ups standard.

**Standard Ported Body:** Weight:  
0.16 kg. (0.35 lbs.) Anodized high-  
strength 6061 T6 aluminum alloy,  
rated to 207 bar (3000 psi). Ductile  
iron bodies available; dimensions  
may differ. See page 8.010.1

**TO ORDER**

**CV10-20** - - - - -

**"T" Option\*** T  
\*Required for  
300 psi Spring

- Porting**
- Cartridge Only **0**
  - SAE 6 **6T**
  - SAE 8 **8T**
  - 1/4 in. BSP\* **2B**
  - 3/8 in. BSP\* **3B**
  - 1/2 in. BSP\* **4B**

\*BSP Body;  
U.K. Mfr. Only

- Bias Spring**
- 2** 0.14 bar (2 psi)
  - 5** 0.34 bar (5 psi)
  - 15** 1 bar (15 psi)
  - 30** 2.1 bar (30 psi)
  - 40** 2.8 bar (40 psi)
  - 70** 4.8 bar (70 psi)
  - 100** 6.9 bar (100 psi)
  - 200** 13.6 bar (200 psi)
  - 300** 20.4 bar (300 psi)\*

\*Requires "T" Option

- Seals**
- N** Buna N (Std.)
  - V** Fluorocarbon
  - P** Polyurethane