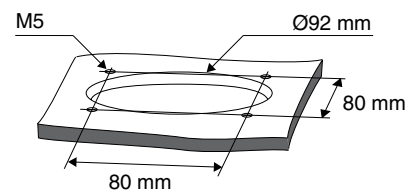
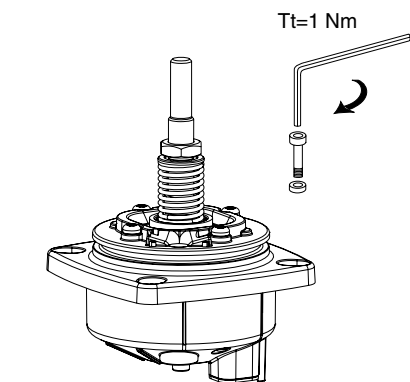
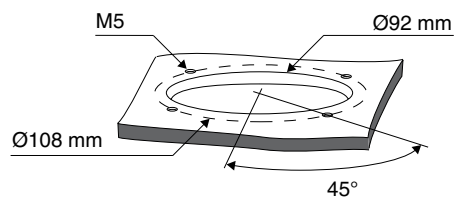
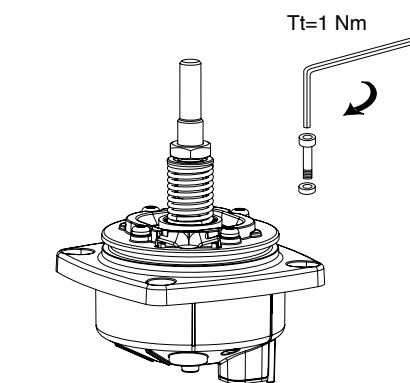


Mounting



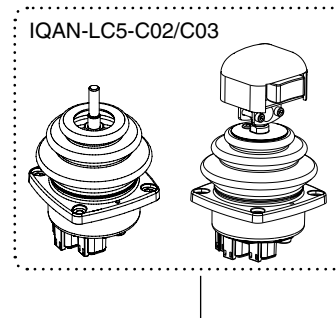
Mounting hole dimensions



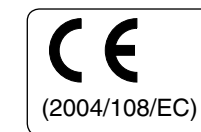
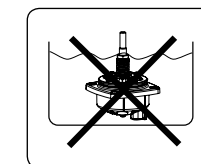
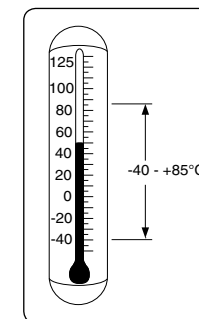
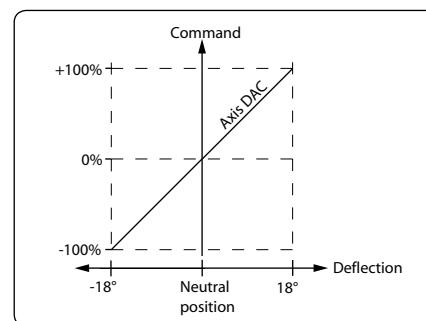
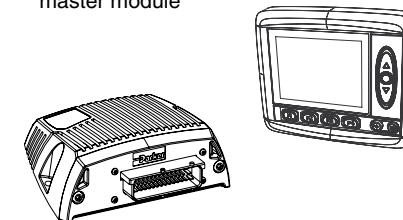
Alternate hole dimensions

Installation IQAN-LC5-C02, -C03

Publ.no: HY33-8405-IS/UK
Ed. 02/2013



master module



WARNING

FAILURE OR IMPROPER SELECTION OR IMPROPER USE OF THE PRODUCTS AND/OR SYSTEMS DESCRIBED HEREIN OR RELATED ITEMS CAN CAUSE DEATH, PERSONAL INJURY AND PROPERTY DAMAGE.

This document and other information from Parker Hannifin Corporation, its subsidiaries and authorized distributors provide product and/or system options for further investigation by users having technical expertise. It is important that you analyze all aspects of your application, including consequences of any failure, and review the information concerning the product or system in the current product catalogue. Due to the variety of operating conditions and applications for these products or systems, the user, through its own analysis and testing, is solely responsible for making the final selection of the products and systems and assuring that all performance, safety and warning requirements of the application are met.

The products described herein, including without limitation, product features, specifications, designs, availability and pricing, are subject to change by Parker Hannifin Corporation and its subsidiaries at any time without notice.

For further information see:
HY33-8404-IB/UK Instructions IQAN-LC5-C0x



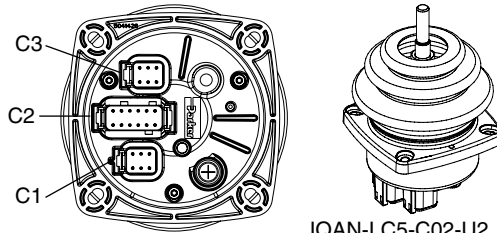
Eng.no: M5036041A
Rev. C

Wiring diagram, IQAN-LL-2U, -Nxx compatible

NOTICE

Connectors must be properly installed to meet environmental specification.

- Sealing plugs must be inserted in all unused pin positions.
- All connectors must be installed.



IQAN-LC5-C02-U2

Pin Pos.	Signal/Function	C1	Pin Pos.	Signal/Function
6	+BAT (12/24Vdc)		1	GND
5	CAN-H		2	CAN-L
4	ADDR-H		3	ADDR-L

Pin Pos.	Signal/Function	C2	Pin Pos.	Signal/Function
12	+VREF		1	-VREF
11	Not used		2	VIN-A DIN-G**
10	DIN-F		3	VIN-B DIN-H**
9	DIN-E		4	DIN-A
8	DIN-D		5	DIN-B
7	DOU-T-A		6	DIN-C

** used in IQANdesign only.

Pin Pos.	Signal/Function	C3	Pin Pos.	Signal/Function
6	+VREF		1	-VREF
5*	DIN-L (DIN-J)		2*	DIN-I (DIN-G)
4*	DIN-K (DIN-I)		3*	DIN-J (DIN-H)

Mating connectors kit: 5035007

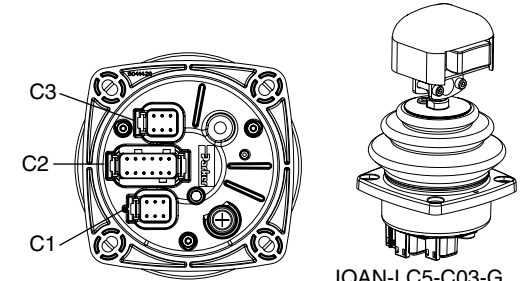
* IQANdesign/(IQANdevelop) internal channels, not used on IQAN-LL-2U

Wiring diagram, IQAN-LL-3G compatible

NOTICE

Connectors must be properly installed to meet environmental specification.

- Sealing plugs must be inserted in all unused pin positions.
- All connectors must be installed.



IQAN-LC5-C03-G

Pin Pos.	Signal/Function	C1	Pin Pos.	Signal/Function
6	+BAT (12/24Vdc)		1	GND
5	CAN-H		2	CAN-L
4	ADDR-H		3	ADDR-L

Pin Pos.	Signal/Function	C2	Pin Pos.	Signal/Function
12	+VREF		1	-VREF
11	Not used		2	VIN-A DIN-G**
10	DIN-F		3	VIN-B DIN-H**
9	DIN-E		4	DIN-A
8	DIN-D		5	DIN-B
7	DOU-T-A		6	DIN-C

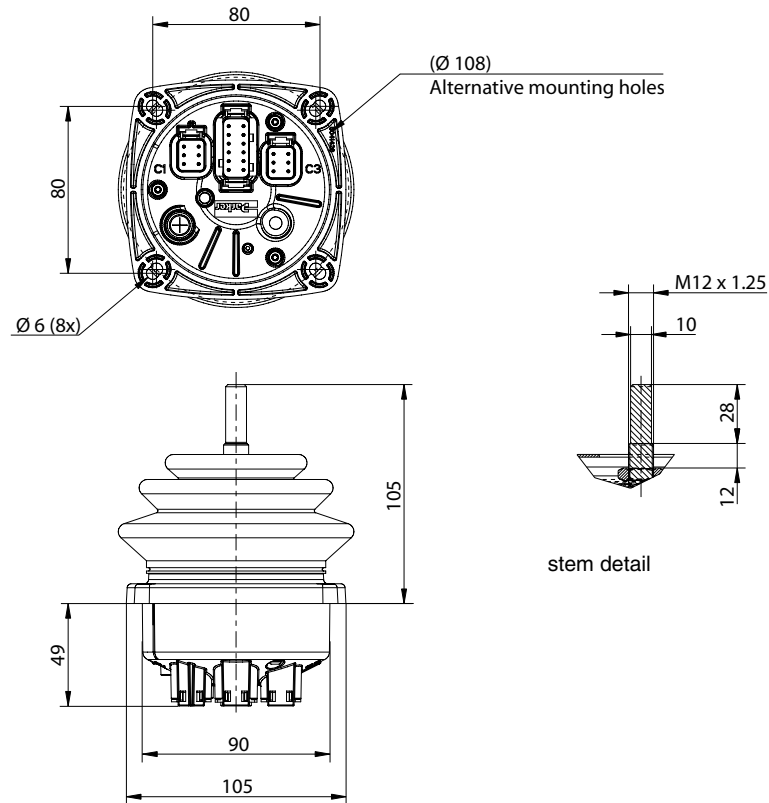
** used in IQANdesign only.

Pin Pos.	Signal/Function	C3	Pin Pos.	Signal/Function
6	+VREF		1	-VREF
5*	DIN-L (DIN-J)		2	DAC-ZP
4*	DIN-K (DIN-I)		3	DAC-ZS

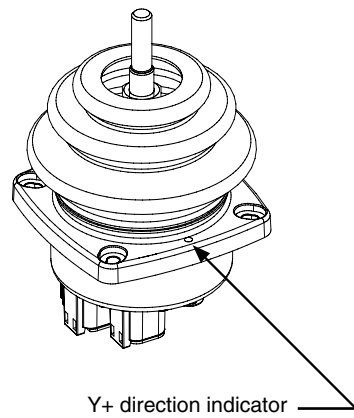
Mating connectors kit: 5035007

* IQANdesign/(IQANdevelop) internal channels, not used on IQAN-LL-3G

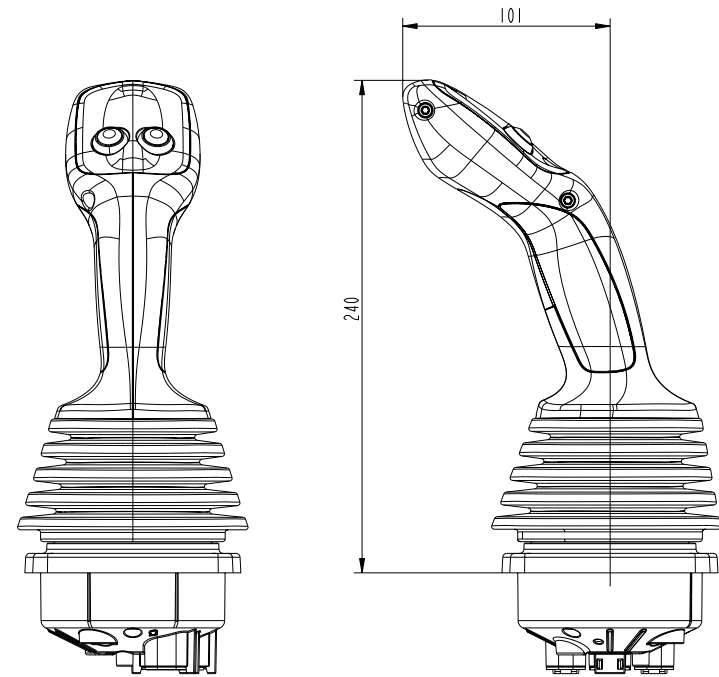
IQAN-LC5-C02



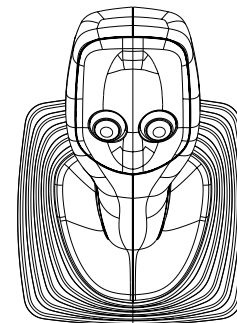
unit = mm



IQAN-LC5-C02

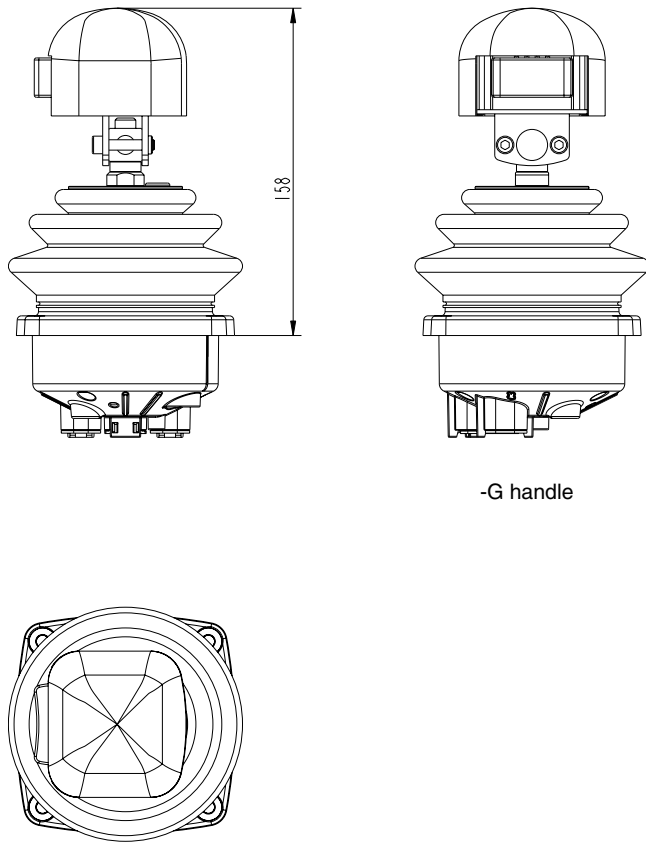


-MPB2W0T0 handle shown
(option to replace IQAN-LL-N2)



unit = mm

IQAN-LC5-C03-G



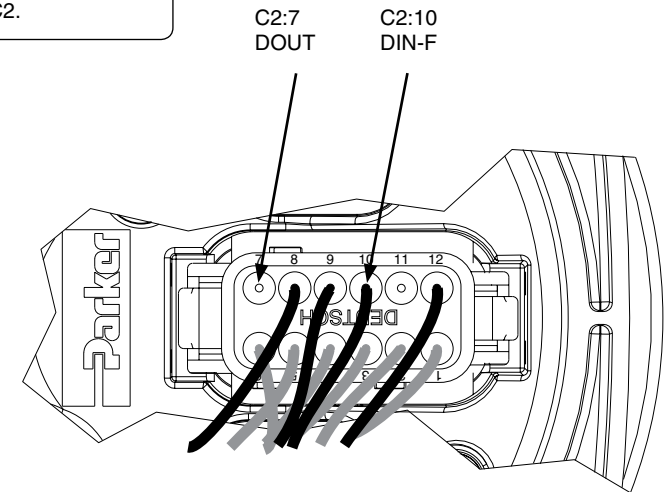
unit = mm

IQAN-LL adapter cable

NOTICE

Adapter cable 2830018 will connect IQAN-LC5-C02 or IQAN-LC5-C03 to an IQAN-LL harness.

- Adapter cable is configured for use of DIN-F.
- To use DOUT, move wire in 12 pos. connector C2.



Adapter cable default connection, position C2:10, DIN-F.
Move wire to position C2:7 to get DOUT function.