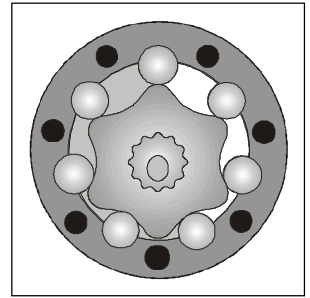
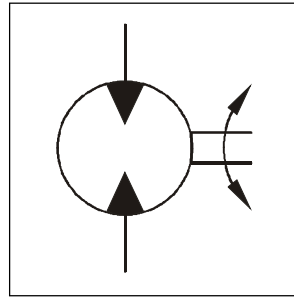


Performance

**Torqmotor
Series TG**

Drehzahl Speed Vitesse de rotation Velocità di rotazione	5...710 rev/min
Schluckstrom Oil flow Débit d'huile Portata	max. 115 l/min
Eingangsdruck Supply pressure Pression entrée Pressione in entrata	max. 300 bar
Drehmoment Torque Couple Coppia	max. 1490 Nm
Seitenlast Side load Charges latérales Carico radiale	max. 16.000 N

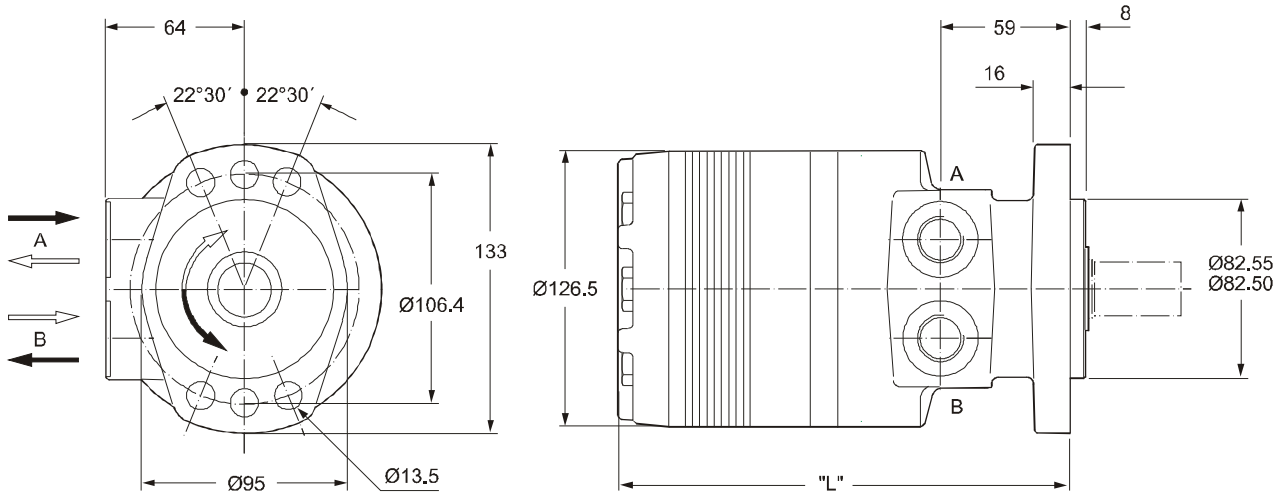


Motor series TG	Geor. Cylindrata Geom. displacement cm ³ /U cm ³ /tr cm ³ /giro	Max. Vitesse Velocità cont / int U/min rev/min tr/min giri/min	Max. Débit Portata max cont / int l/min	Max. Chute Caduta cont / int bar	Max. Pression Pressione max bar	Max. Couple Coppia cont / int Nm	Max. Puissance Potenza cont / int max. KW	Max. Couple Coppia min. di spunto de manirage cont / int Nm
TG 140	140	530/710	75/100	200/280	300	400/ 545	33	320/436
TG 170	169	440/575	75/100	200/280	300	485/ 670	33	388/536
TG 195	195	380/510	75/100	200/280	300	560/ 770	33	448/616
TG 240	237	320/420	75/100	200/280	300	685/ 945	32	548/756
TG 280	280	270/350	75/100	200/280	300	800/1100	31	640/880
TG 335	337	225/290	75/100	200/280	300	980/1350	30	784/1080
TG 405	405	185/245	75/100	170/240	300	960/1350	27	768/1080
TG 475	476	160/240	75/115	140/200	300	960/1400	28	768/1120
TG 530	529	140/215	75/115	140/170	300	1050/1280	23	840/1024
TG 625	624	120/185	75/115	120/160	300	1040/1360	20	832/1088
TG 785	786	95/145	75/115	100/140	300	1150/1490	17	920/1192
TG 960	958	78/119	75/115	70/100	300	925/1390	12	740/1112

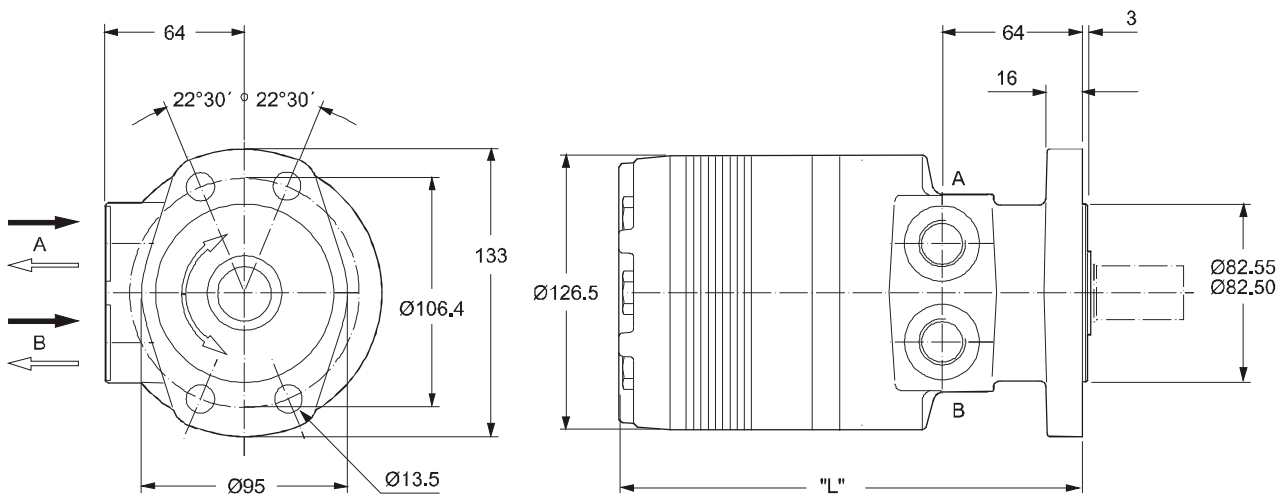
int. =
Intermittierende Werte maximal: 10% von jeder Betriebsminute.
Intermittent operation rating applies to 10% of every minute.
Fonctionnement interm.: 10% max. de chaque minute d'utilisation.
Servizio intermittente: 10% max di ogni minuto di utilizzazione.

Torqmotoren 3213.PM6.5 RH

Code E



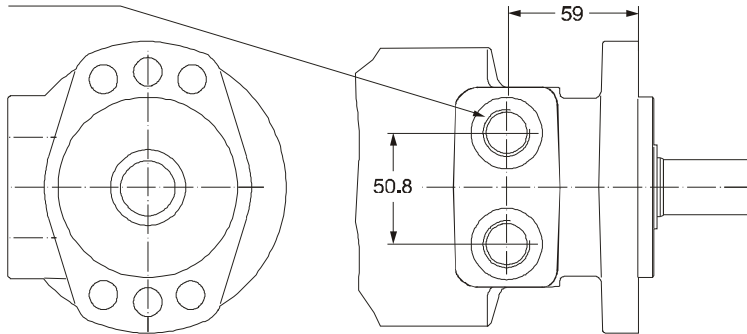
Code M



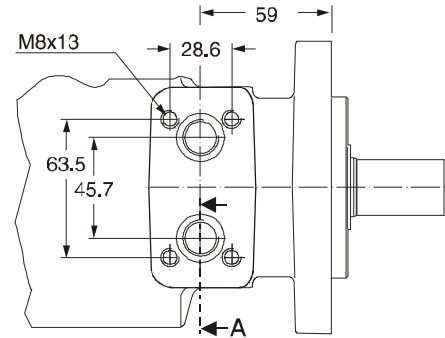
Gewicht / Weight		TG140	TG170	TG195	TG240	TG280	TG335	TG405	TG475	TG530	TG625	TG785	TG960
Poids / Peso	kg	14.2	14.5	14.7	15.1	15.5	15.9	16.5	17.2	17.9	18.6	20.2	22.0
Code E	"L" mm	191	194	197	202	207	213	220	229	235	245	264	283
Code M	"L" mm	196	199	202	208	212	218	225	234	240	250	269	288

Code W

G1/2 x 15

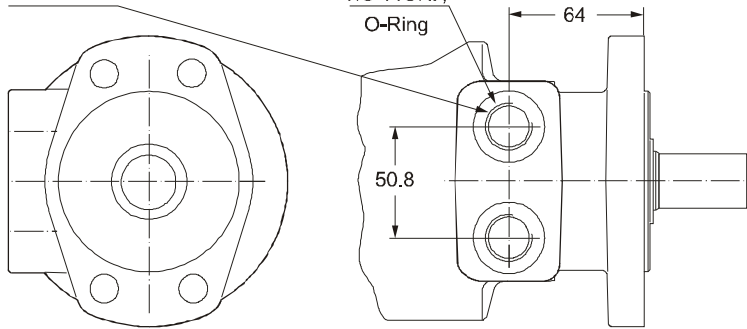


Code: N



Code W

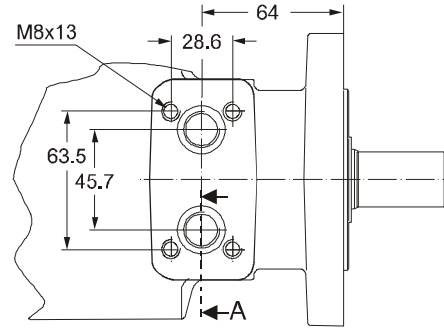
G1/2 x 15



Code V

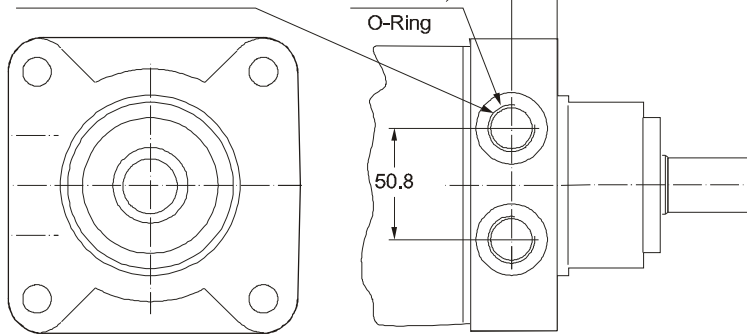
7/8-14UNF,
O-Ring

Code N



Code W

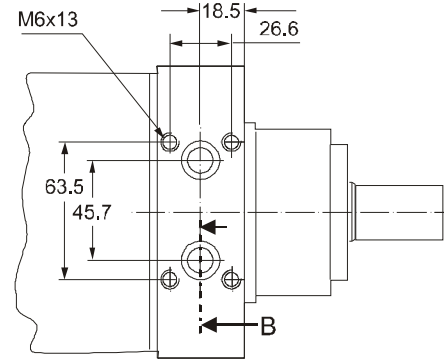
G1/2 x 15



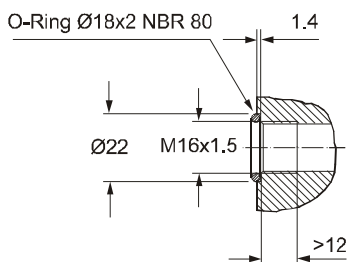
Code V

7/8-14UNF,
O-Ring

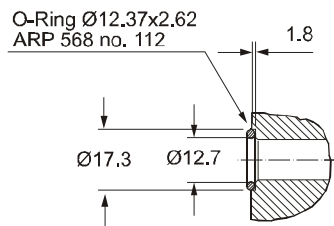
Code K



Section A



Section B



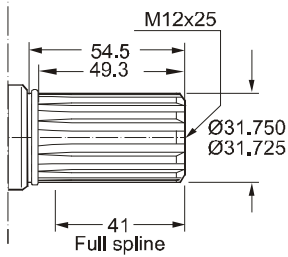
Zum Motor mit Universalanschluß werden 2 O-Ringe geliefert.

Motor with manifold mount is supplied with 2 O-rings.

Deux joints toriques sont livrés avec les moteurs au plan de raccordement universel.

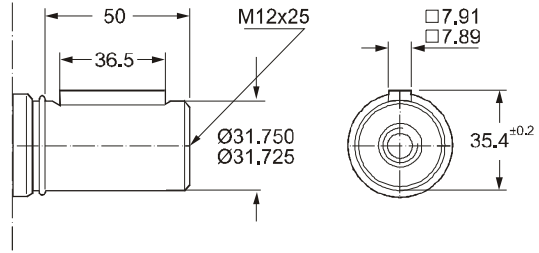
Il blocchetto connessioni è corredato da 2 OR.

Code 44

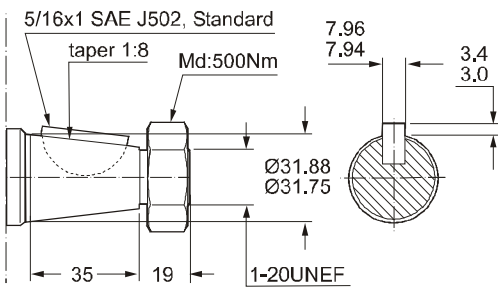


Involute spline
 ANS B92.1-1970 Standard
 Flat root side fit
 Pitch 12/24
 Teeth 14
 Major diam. 1.25 in
 Pressure angle 30°

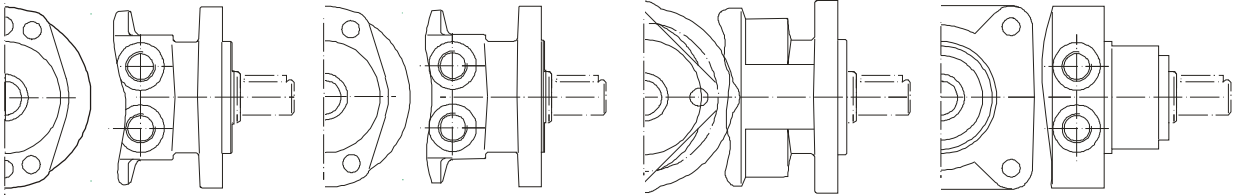
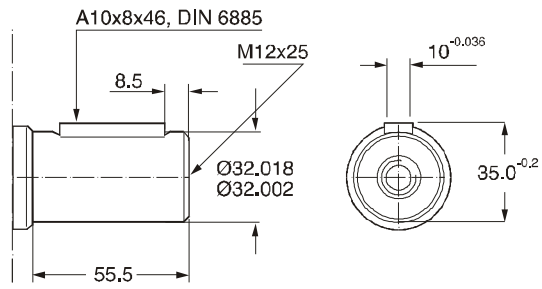
Code 45



Code 08



Code 46



Code 44



Code 45



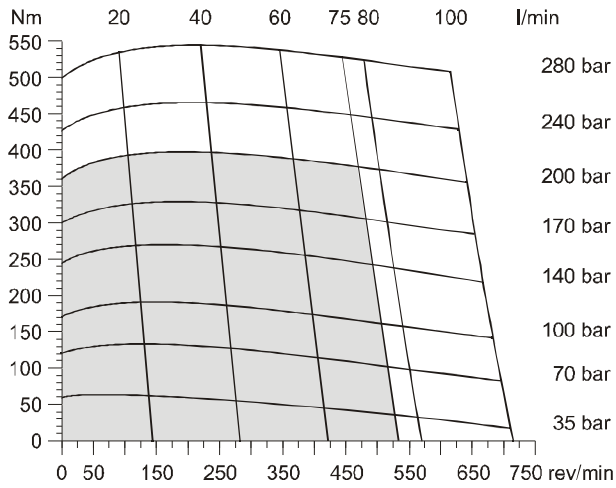
Code 08



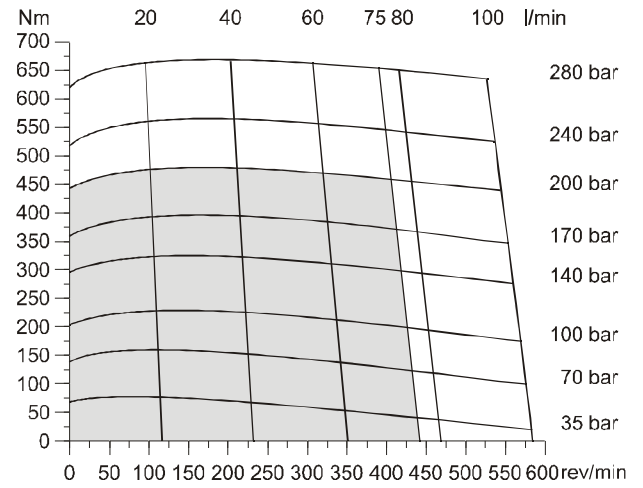
Code 46



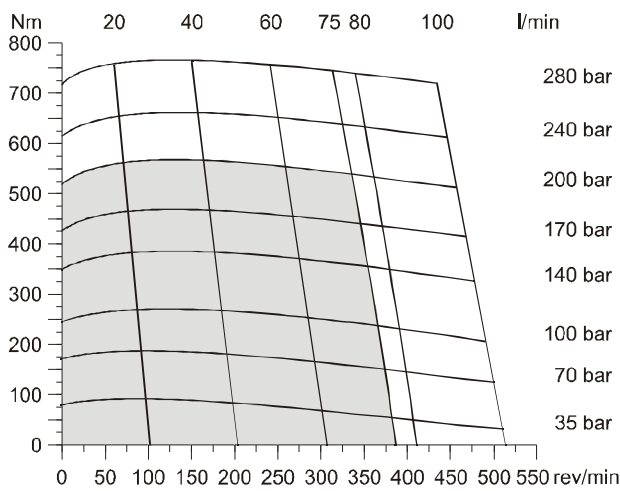
TG 140



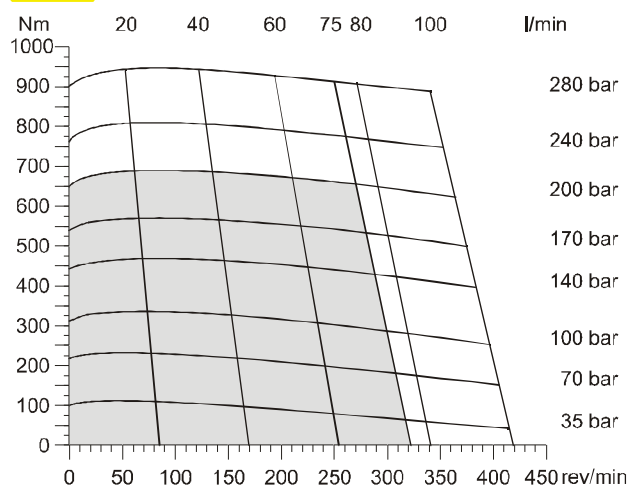
TG 170



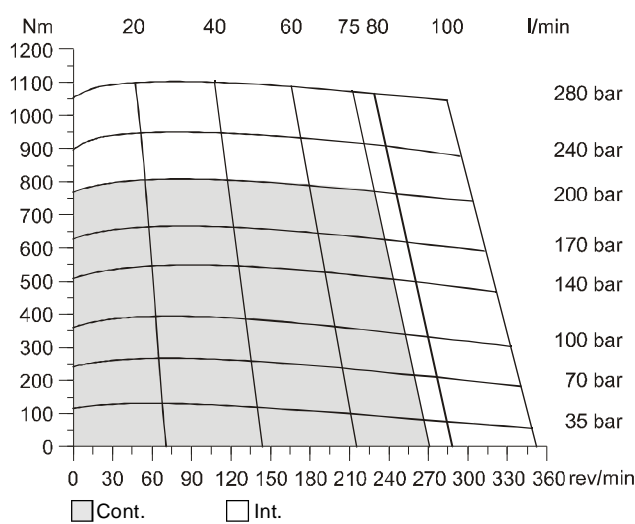
TG 195



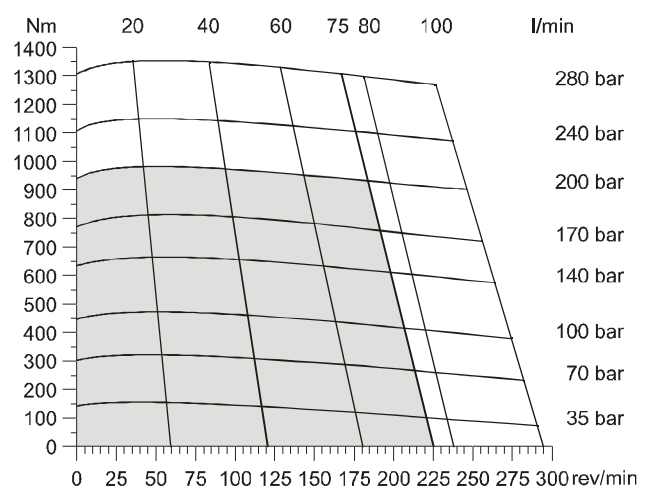
TG 240



TG 280



TG 335

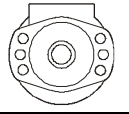
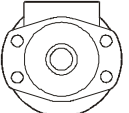
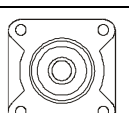
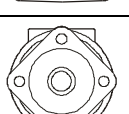


int. =
 Intermittierende Werte maximal: 10% von jeder Betriebsminute.
 Intermittent operation rating applies to 10% of every minute.
 Fonctionnement interm.: 10% max. de chaque minute d'utilisation.
 Servizio intermittente: 10% max di ogni minuto di utilizzazione.

Ordering Code

TG								A A A B
Serie Series Série Serie	Schluckvolumen Displacement Cylindrée Cilindrata	Gehäuse Housing Carter Corpo motore	Anschluß Ports Plan de raccordement Conessioni	Welle Shaft Arbre Albero	Drehrichtung Direction of rotation Direction de rotation Direzione di rotazione	Option		

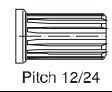
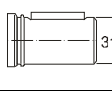
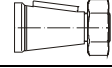
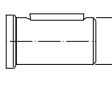
Code	cm ³ /rev
0140	140
0170	169
0195	195
0240	237
0280	280
0335	337
0405	405
0475	476
0530	529
0625	624
0785	786
0960	958

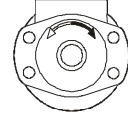
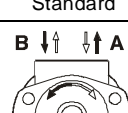
Code	Housing
E	
M	
H	
V ¹⁾	



Code	Front port
W	G 1/2
V	7/8-14 UNF O-Ring
N ²⁾	Universal M8x13
K ³⁾	Universal M6x13

²⁾ Nicht verfügbar für Gehäuse "H"
 Not possible for housing "H"
 Pas disponible pour carter "H"
 Non Disponibile con il corpo codice "H"
³⁾ Nicht verfügbar für Gehäuse "M, E, V"
 Not possible for housing "M, E, V"
 Pas disponible pour carter "M, E, V"
 Non disponibile con il corpo codice "M, E, V"

Code	Rear port
Y	G 1/2 Axial
A	7/8-14 UNF Axial
X	G 1/2 Radial
B	7/8-14 UNF Radial
L	Universal Radial M8x13

Code	Shaft
44	 Pitch 12/24
45	 31.75
08	
46	 32

Code	Front port
0	 Standard
1	

Code	Rear port
0	 Standard
1	

For further options different to standard 'AAAB' see page 57.

¹⁾ Nur verfügbar mit Endanschluß
 Only possible with rear port
 Possible seulement avec orifice arrière
 Possible solo con connessioni posteriori

