

1P Group 1 Hydraulic Gear Pumps

1BK7 Series



M14x1.5 thread depth 12 mm.

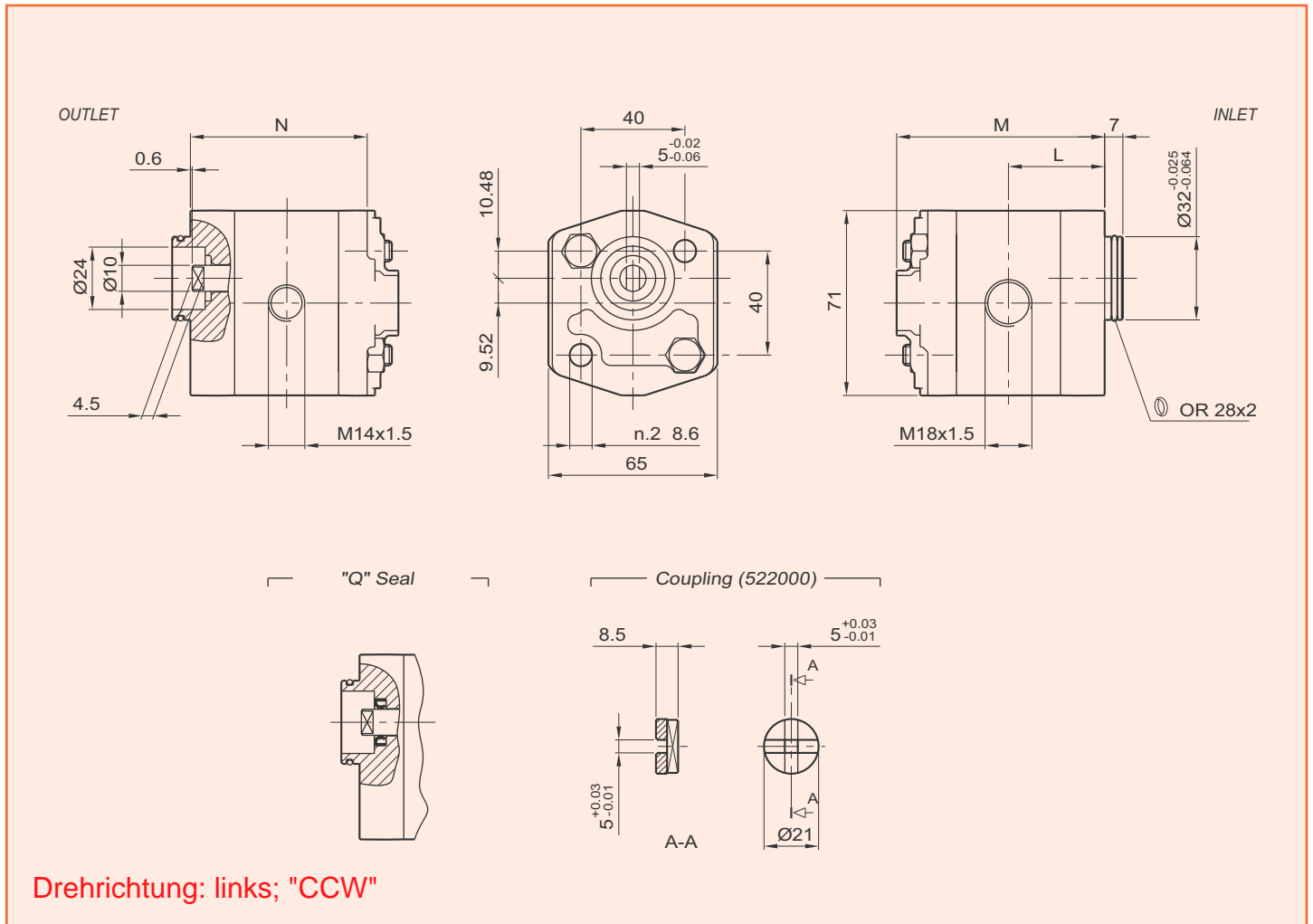
M18x1.5 thread depth 12 mm.

To mount the pump: n. 2 M8 screws, with a torque wrench setting fixed at 23 ± 2.4 Nm.

OPTIONS

Upon request, 1BK7 model is also available in "KA" version (G3/8 as inlet port and G1/4 as outlet port in the cover).

"Q" model is supplied with a shaft seal mounted on.



Type	Displacement cm ³ /rev	Flow at 1500 rev/min litres/mim	Maximum Pressure			Maximum Speed rpm	Dimensions		
			P ₁ bar	P ₂ bar	P ₃ bar		L mm	M mm	D mm
1BK7 D 1.6	1.1	1.6	230	250	270	6000	35	76	64
1BK7 D 2	1.3	2.0	230	250	270	6000	35,5	77	65
1BK7 D 2.5	1.6	2.4	230	250	270	6000	36	78	66
1BK7 D 3.3	2.1	3.2	230	250	270	6000	37	80	68
1BK7 D 4.2	2.7	4.0	230	250	270	6000	38	82	70
1BK7 D 5	3.2	4.8	210	230	250	5000	39	84	72
1BK7 D 5.8	3.7	5.6	210	230	250	4500	40	86	74
1BK7 D 6.7	4.2	6.4	210	230	250	4000	41	88	76
1BK7 D 7.5	4.8	7.2	190	210	230	3500	42	90	78
1BK7 D 9.2	5.8	8.7	190	210	230	3000	44	94	82
1BK7 D	11.5	8.0	11.9	160	180	200	2100	48	102