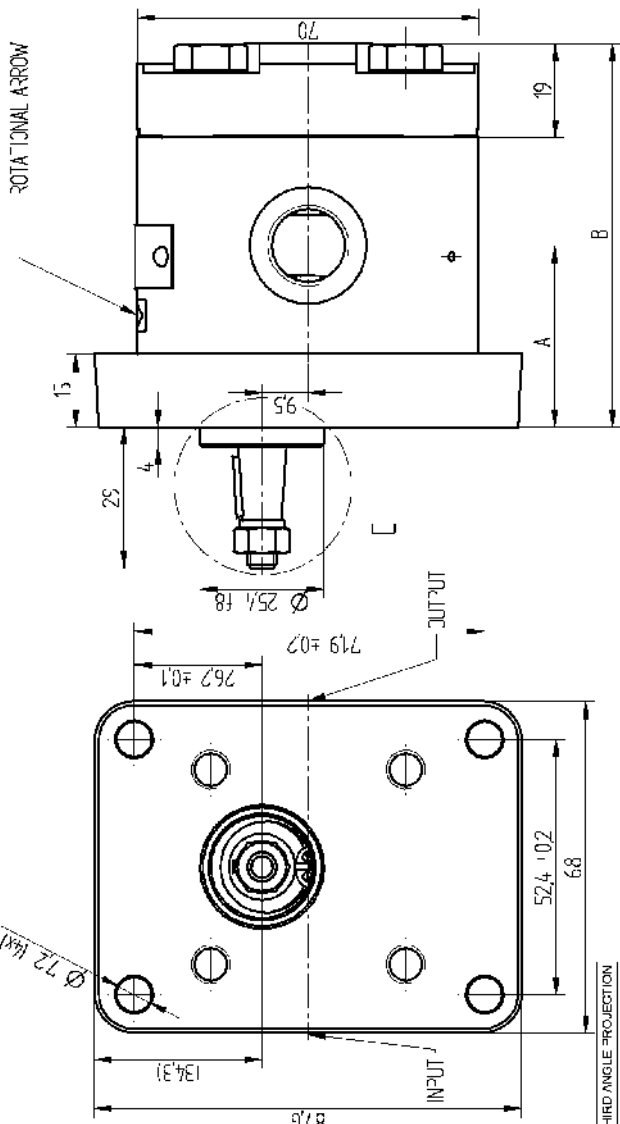
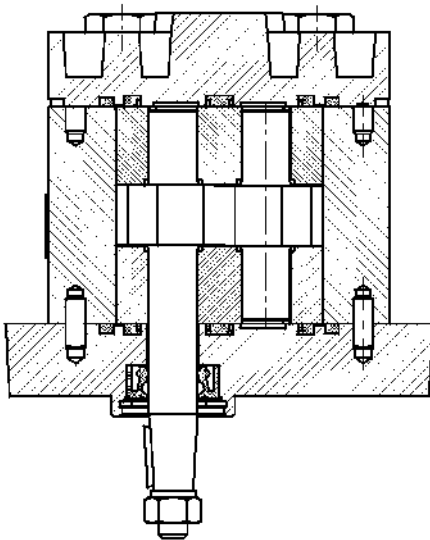


SECTION A-A



Displacement	cm <sup>3</sup> /rev	Dimension	A	B	Speed c. rotation	min. rpm	max. rpm	Max pressure	kg	Weight	TON
0079	7.9	45.8	95.5	500	1500	160	330 9111 345	.75	330 9111 345		
0062	6.2	42.6	89.3	500	1800	180	330 9111 344	.45	330 9111 344		
0058	5.8	41.9	87.8	500	2000	200	330 9111 343	.35	330 9111 343		
0048	4.8	40.0	84.0	500	2400	230	330 9111 342	.35	330 9111 342		
0043	4.3	35.2	82.5	500	2600	250	330 9111 341	.25	330 9111 341		
0036	3.6	37.8	79.6	500	3200	250	330 9111 340	.15	330 9111 340		
0033	3.3	37.2	78.5	500	3500	280	330 9111 339	.15	330 9111 339		
0029	2.9	35.1	75.5	500	4500	280	330 9111 338	.15	330 9111 338		
0021	2.1	34.9	73.9	500	4500	280	330 9111 337	.105	330 9111 337		
0016	1.6	34.1	72.3	500	5000	280	330 9111 336	.105	330 9111 336		
0012	1.2	33.4	70.8	500	5000	280	330 9111 335	.105	330 9111 335		
0008	0.8	32.6	59.3	500	5000	280	330 9111 334	.105	330 9111 334		
xxxx											

THIS DOCUMENT CONTAINS INFORMATION THAT IS CONFIDENTIAL AND PROPRIETARY TO PARKER-HANNIFIN CORPORATION. IT IS THE PROPERTY OF PARKER-HANNIFIN CORPORATION AND IS TO BE USED ONLY FOR THE PURPOSES AND TIME PERIOD SPECIFIED IN THE ORDER. IT IS NOT TO BE REPRODUCED, COPIED, OR DISSEMINATED IN ANY MANNER WITHOUT THE WRITTEN PERMISSION OF PARKER-HANNIFIN CORPORATION. ALL RIGHTS ARE RESERVED.

PGP502AxxxxCP2D1NE2E2B1B1

SYSTEM: PGP502A  
 TYPE: CP2D1  
 SIZE: 1NE2E2B1B1  
 PART: SEE TABLE

MAXIMUM PRESSURE: 2800 PSI  
 MAXIMUM SPEED: 5000 RPM  
 WEIGHT: 1.05 KG

© 2009 Parker-Hannifin Corporation

3 - COVER PLATE  
 A - NOTE ABOVE, PARAMETERS CHANGED