



# **IQAN-G11** **Remote Diagnostics**

Electronic Control Systems



ENGINEERING YOUR SUCCESS.

**Application**

The IQAN-G11 is a Bluetooth® dongle that works with the MD4, MD3, MC4, MC3 and MC2 master modules in IQANdesign (4.00 or later) platform control systems.

The IQAN-G11 is designed to transmit wireless diagnostic data from the IQAN system to a smartphone with IQANsync or a tablet with IQANrun.

**Installation**

The unit is designed to be easily mounted in a vehicle interior or on an exterior panel. There is 1 LED provided for status signals. The unit has a molded plastic housing and built-in, sealed connector. The IQAN-G11 is constructed to be weatherproof for outdoor use.

**Remote Diagnostics**

The IQAN-G11 solution offers on-site short range or remote diagnostic access to machines by wireless communication together with IQAN software tools. With an IQAN-G11 connected to the master module, it is easy to perform diagnostics on a machine on-site or remotely. Trouble-shooting and updating of application software, real-time measurement and parameter adjustments can all be done wirelessly. When connecting from a remote location this can shorten the diagnostics time and reduce travel costs for the initial diagnosis of a machine issue. If a repair is needed, the service technician will be better prepared with preliminary information and can bring all the necessary spare parts and tools needed to get the machine running quickly.

**General**

Weight	60 g
Temperature range	
- Operating, ambient	-40 to +85 °C
- Storage, ambient	-40 to +105 °C
Protection	outdoor use
Voltage supply	9 - 32 Vdc
Current consumption	
- 28 Vdc	10 mA
- 12 Vdc	17 mA
Start up time	< 3 seconds

**Markings/approvals**

- FCC ID	VPYLBZY
- IC	772C-VPZY
- CE marking	2004/108/EC
- E-mark	ECE 10.05:2014, E5 10R-05273

**Communication interfaces**

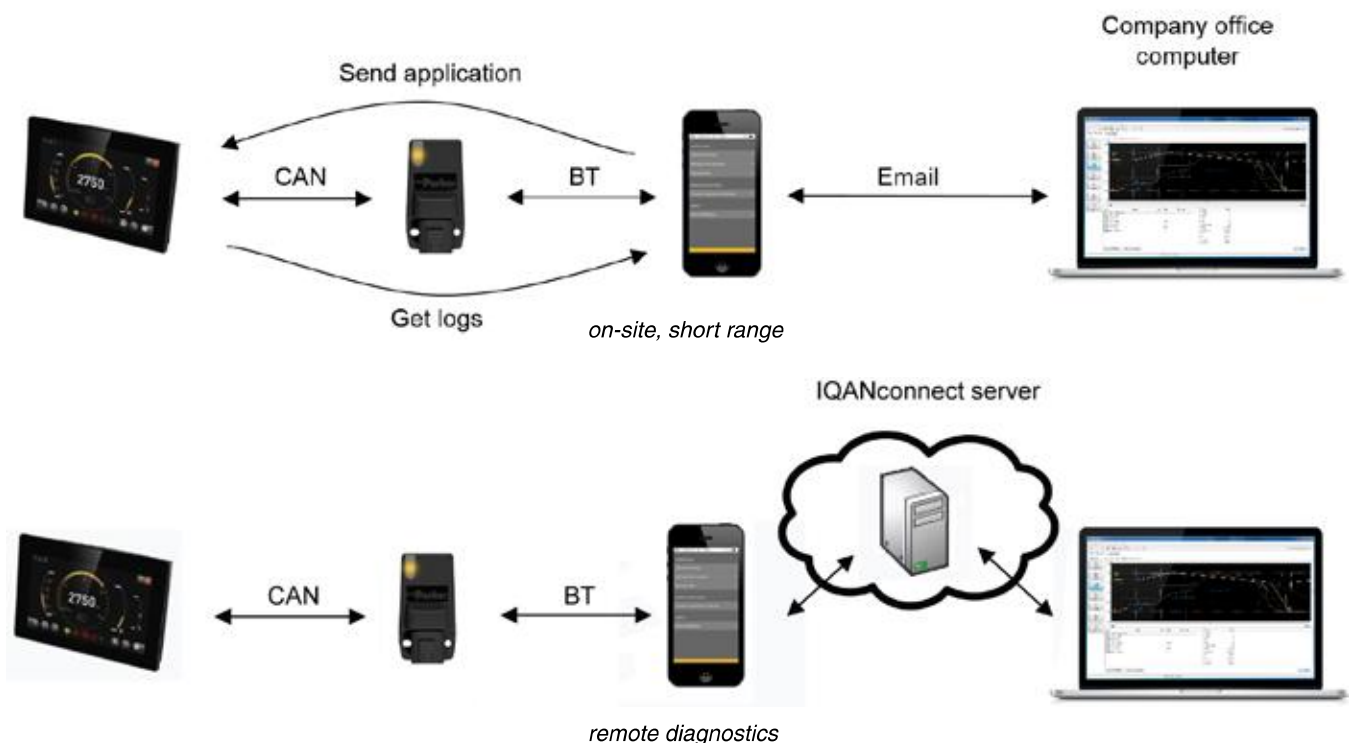
CAN	1
- Protocol	IQAN Diagnostic Protocol
Bluetooth	1
- Protocol	Bluetooth 4.0 LE
- Range	up to 20m (typical 5-10)

**Connector interfaces**

Power/CAN	Deutsch DT, 4 pin
-----------	-------------------

**Ordering part number**

IQAN-G11	20085100
Connector	5031113



### Environmental protection

#### EMI

ISO 13766:2010/ISO 14982:2009, radiated emission  
EN 55025:2008, 0.15-108 MHz, conducted emission  
ISO 11452-4:2005, conducted susceptibility  
ISO 11452-2:2004, radiated susceptibility  
ISO 11452-2:2004, radiated susceptibility  
ISO 7637-2:2004, conducted transients susceptibility  
ISO 7637-3:2007, conducted transients susceptibility

#### ESD

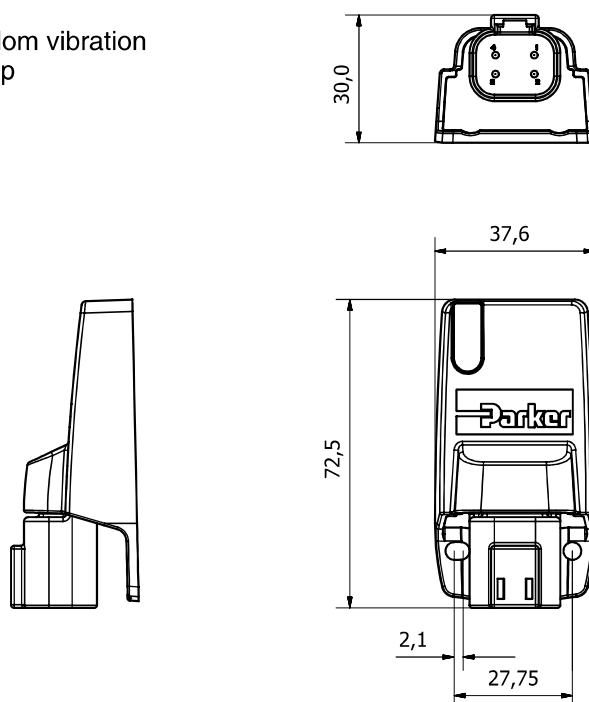
ISO 10605:2008, operation  
ISO 10605:2008, handling

#### Mechanical environment

EN 60068-2-64:2008 Fh, random vibration  
EN 60068-2-29:1987 Eb, bump

#### Climate environment

IEC 60529:2001;DIN 40050 Part 9:1993, IP protection  
IEC 60068-2-52:1996 Kb, Salt mist  
IEC 60068-2-30:2005 Db, Damp heat cyclic  
IEC 60068-2-78:2001 Cab, Damp heat steady state  
IEC 60068-2-2:2007 Bb, Heat, operation  
IEC 60068-2-2:2007 Bb, Heat, storage  
IEC 60068-2-1:1993 Ab, Cold  
IEC 60068-2-14:1984 Nb, Change of temperature



units = mm



### **WARNING - USER RESPONSIBILITY**

**FAILURE OR IMPROPER SELECTION OR IMPROPER USE OF THE PRODUCTS DESCRIBED HEREIN OR RELATED ITEMS CAN CAUSE DEATH, PERSONAL INJURY AND PROPERTY DAMAGE.**

This document and other information from Parker-Hannifin Corporation, its subsidiaries and authorized distributors provide product or system options for further investigation by users having technical expertise.

The user, through its own analysis and testing, is solely responsible for making the final selection of the system and components and assuring that all performance, endurance, maintenance, safety and warning requirements of the application are met. The user must analyze all aspects of the application, follow applicable industry standards, and follow the information concerning the product in the current product catalog and in any other materials provided from Parker or its subsidiaries or authorized distributors.

To the extent that Parker or its subsidiaries or authorized distributors provide component or system options based upon data or specifications provided by the user, the user is responsible for determining that such data and specifications are suitable and sufficient for all applications and reasonably foreseeable uses of the components or systems.

### **Offer of Sale**

Please contact your Parker representation for a detailed "Offer of Sale".

# Parker Worldwide

## Europe, Middle East, Africa

**AE – United Arab Emirates,**  
Dubai

Tel: +971 4 8127100  
parker.me@parker.com

**AT – Austria,** Wiener Neustadt

Tel: +43 (0)2622 23501-0  
parker.austria@parker.com

**AT – Eastern Europe,** Wiener  
Neustadt

Tel: +43 (0)2622 23501 900  
parker.easteurope@parker.com

**AZ – Azerbaijan,** Baku

Tel: +994 50 22 33 458  
parker.azerbaijan@parker.com

**BE/LU – Belgium,** Nivelles

Tel: +32 (0)67 280 900  
parker.belgium@parker.com

**BG – Bulgaria,** Sofia

Tel: +359 2 980 1344  
parker.bulgaria@parker.com

**BY – Belarus,** Minsk

Tel: +48 (0)22 573 24 00  
parker.poland@parker.com

**CH – Switzerland,** Etoy

Tel: +41 (0)21 821 87 00  
parker.switzerland@parker.com

**CZ – Czech Republic,** Klecany

Tel: +420 284 083 111  
parker.czechrepublic@parker.com

**DE – Germany,** Kaarst

Tel: +49 (0)2131 4016 0  
parker.germany@parker.com

**DK – Denmark,** Ballerup

Tel: +45 43 56 04 00  
parker.denmark@parker.com

**ES – Spain,** Madrid

Tel: +34 902 330 001  
parker.spain@parker.com

**FI – Finland,** Vantaa

Tel: +358 (0)20 753 2500  
parker.finland@parker.com

**FR – France,** Contamine s/Arve

Tel: +33 (0)4 50 25 80 25  
parker.france@parker.com

**GR – Greece,** Athens

Tel: +30 210 933 6450  
parker.greece@parker.com

**HU – Hungary,** Budaoers

Tel: +36 23 885 470  
parker.hungary@parker.com

**IE – Ireland,** Dublin

Tel: +353 (0)1 466 6370  
parker.ireland@parker.com

**IT – Italy,** Corsico (MI)

Tel: +39 02 45 19 21  
parker.italy@parker.com

**KZ – Kazakhstan,** Almaty

Tel: +7 7273 561 000  
parker.easteurope@parker.com

**NL – The Netherlands,** Oldenzaal

Tel: +31 (0)541 585 000  
parker.nl@parker.com

**NO – Norway,** Asker

Tel: +47 66 75 34 00  
parker.norway@parker.com

**PL – Poland,** Warsaw

Tel: +48 (0)22 573 24 00  
parker.poland@parker.com

**PT – Portugal**

Tel: +351 22 999 7360  
parker.portugal@parker.com

**RO – Romania,** Bucharest

Tel: +40 21 252 1382  
parker.romania@parker.com

**RU – Russia,** Moscow

Tel: +7 495 645-2156  
parker.russia@parker.com

**SE – Sweden,** Spånga

Tel: +46 (0)8 59 79 50 00  
parker.sweden@parker.com

**SK – Slovakia,** Banská Bystrica

Tel: +421 484 162 252  
parker.slovakia@parker.com

**SL – Slovenia,** Novo Mesto

Tel: +386 7 337 6650  
parker.slovenia@parker.com

**TR – Turkey,** Istanbul

Tel: +90 216 4997081  
parker.turkey@parker.com

**UA – Ukraine,** Kiev

Tel: +48 (0)22 573 24 00  
parker.poland@parker.com

**UK – United Kingdom,** Warwick

Tel: +44 (0)1926 317 878  
parker.uk@parker.com

**ZA – South Africa,** Kempton Park

Tel: +27 (0)11 961 0700  
parker.southafrica@parker.com

## North America

**CA – Canada,** Milton, Ontario

Tel: +1 905 693 3000

**US – USA,** Cleveland

(industrial)  
Tel: +1 216 896 3000

**US – USA,** Elk Grove Village

(mobile)  
Tel: +1 847 258 6200

## Asia Pacific

**AU – Australia,** Castle Hill

Tel: +61 (0)2-9634 7777

**CN – China,** Shanghai

Tel: +86 21 2899 5000

**HK – Hong Kong**

Tel: +852 2428 8008

**ID – Indonesia,** Tangerang

Tel: +62 21 7588 1906

**IN – India,** Mumbai

Tel: +91 22 6513 7081-85

**JP – Japan,** Fujisawa

Tel: +81 (0)4 6635 3050

**KR – South Korea,** Seoul

Tel: +82 2 559 0400

**MY – Malaysia,** Shah Alam

Tel: +60 3 7849 0800

**NZ – New Zealand,** Mt Wellington

Tel: +64 9 574 1744

**SG – Singapore**

Tel: +65 6887 6300

**TH – Thailand,** Bangkok

Tel: +662 186 7000

**TW – Taiwan,** New Taipei City

Tel: +886 2 2298 8987

**VN – Vietnam,** Ho Chi Minh City

Tel: +84 8 3999 1600

## South America

**AR – Argentina,** Buenos Aires

Tel: +54 3327 44 4129

**BR – Brazil,** Cachoeirinha RS

Tel: +55 51 3470 9144

**CL – Chile,** Santiago

Tel: +56 2 623 1216

**MX – Mexico,** Toluca

Tel: +52 72 2275 4200

### EMEA Product Information Centre

Free phone: 00 800 27 27 5374

(from AT, BE, CH, CZ, DE, DK, EE, ES, FI, FR, IE, IL,  
IS, IT, LU, MT, NL, NO, PL, PT, RU, SE, SK, UK, ZA)

### US Product Information Centre

Toll-free number: 1-800-27 27 537

www.parker.com

