

Technical Information

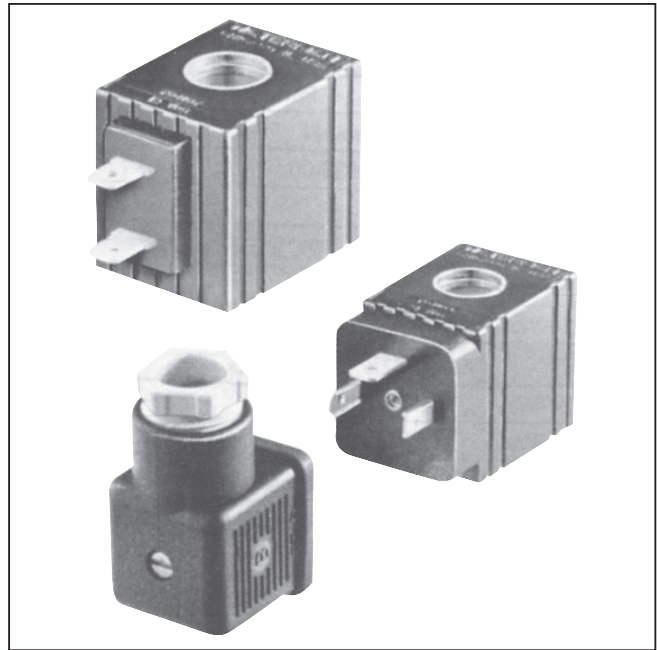
CV Check Valves
SH Shuttle Valves
LM Load/Motor Controls
FC Flow Controls
PC Pressure Controls
LE Logic Elements
DC Directional Controls
MV Manual Valves
SV Solenoid Valves
PV Proportional Valves
CE Coils & Electronics
BC Bodies & Cavities
TD Technical Data

Features

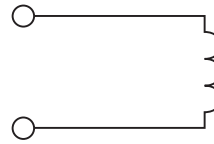
- Compact one piece encapsulated design
- Minimal amperage draw
- Numerous terminals and voltages
- High watt design available for intermittent operation
- Heavy gauge color coded lead wire with built-in strain relief
- 180°C Class H wire standard
- 200°C Class N wire on high watt models

Specifications

| | |
|--------------------------------|--|
| Wattage | 12 Watts — Standard - Black Coil 25 Watts — High Watt - Red Coil |
| Duty Rating | Continuous @ 100% voltage |
| Wire Class | Class H for all voltages 12 Watt Class N for all voltages 25 Watt |
| A.C. Rectifier | Integral full wave bridge |
| Lead Wire | 18 gauge 24" long, 600 volt rating |
| Lead Wire Strain Relief | 34 kg (75 lbs.) @ 21°C (70°F) & 18 kg (40 lbs.) @ 93°C (200°F) |
| Encapsulating Material | Glass filled nylon, resistant to moisture, caustic solutions, fungus, and temperatures from -40°C (-40°F) to 200°C (392°F) |

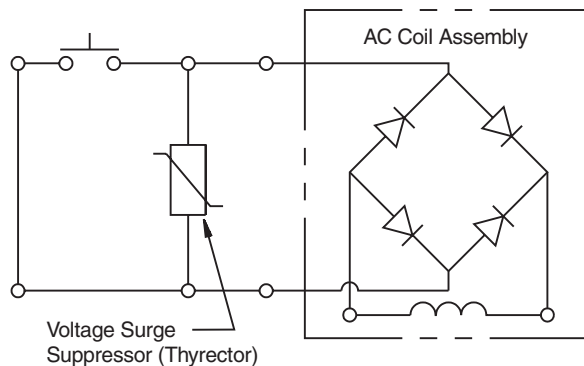


Symbol



AC Coil Assembly

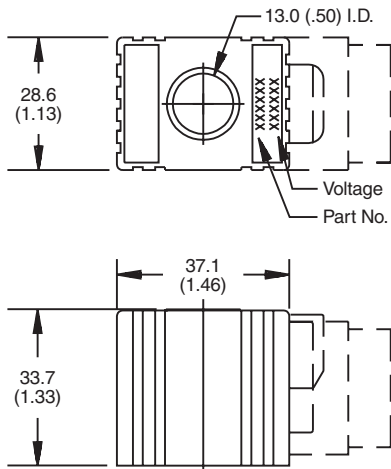
No inductive or capacitive loads can be installed between surge suppressor and rectified valves.



NOTE:

Parker A.C. Coils incorporate integrally molded full wave rectifiers which are rated for reverse voltage peaks of 1000 volts maximum. For voltage transients greater than 1000 volts P.I.V., Harris Thyrector V150LA10A or V150LA20A for 115 VAC and V250LA15A or V250LA40A for 200 VAC is recommended.

Terminal Styles and Dimensions



| | | |
|--|--|---|
| <p>Type P Dual Spade</p> <p>Thru Hole Tinned Brass SAE 1B-0.25</p> <p>33.5 (1.32)</p> | <p>Type W Dual Lead</p> <p>18 Gauge 24" Long</p> <p>25.8 (1.02)</p> | <p>Type C Double Lead With Conduit Connector (1/2" NPTF)</p> <p>18 Gauge 24" Long</p> <p>40.4 (1.59)</p> |
| <p>Type D DIN</p> <p>DIN 43650 Plug Face Only</p> <p>36.6 (1.44)</p> | <p>Type S Double Screw</p> <p>8-32 Screw & Nut</p> <p>33.1 (1.31)</p> | <p>Type J AMP Junior Timer Type C</p> <p>40.8 (1.61)</p> |

NOTES:

1. Coil to be installed with part number on nut side.
2. For additional terminals, voltages and wattages, consult factory for details.

Coil Part Numbers

| Voltage | Watts | Type P Double Spade | Type W Double Lead | Type C Conduit Connector | Type D DIN Plug Face | Type S Double Screw | Amps† | Lead Wire Color |
|-----------|-------|---------------------------|--------------------------|--------------------------------|----------------------------|---------------------------|-------|--------------------|
| **6 VDC | 12 | 851007-006 | 851009-006 | 851003-006* | 851005-006* | 851011-006 | 2.22 | Black |
| | 25 | 851008-006 | 851010-006 | 851004-006 | 851006-006 | 851012-006 | 3.90 | |
| **10 VDC | 12 | 851007-010 | 851009-010 | 851003-010* | 851005-010* | 851011-010 | 1.43 | Yellow |
| | 25 | 851008-010 | 851010-010 | 851004-010 | 851006-010 | 851012-010 | 2.48 | |
| 12 VDC | 12 | 851007-012 | 851009-012 | 851003-012* | 851005-012* | 851011-012 | 1.05 | Red |
| | 25 | 851008-012 | 851010-012 | 851004-012 | 851006-012 | 851012-012 | 1.94 | |
| **18 VDC | 12 | 851007-018 | 851009-018 | 851003-018* | 851005-018* | 851011-018 | 0.75 | Gray |
| | 25 | 851008-018 | 851010-018 | 851004-018 | 851006-018 | 851012-018 | 1.42 | |
| 24 VDC | 12 | 851007-024 | 851009-024 | 851003-024* | 851005-024* | 851011-024 | 0.52 | Blue |
| | 25 | 851008-024 | 851010-024 | 851004-024 | 851006-024 | 851012-024 | 1.17 | |
| **36 VDC | 12 | 851007-036 | 851009-036 | 851003-036* | 851005-036* | 851011-036 | 0.38 | Orange |
| | 25 | 851008-036 | 851010-036 | 851004-036 | 851006-036 | 851012-036 | 0.73 | |
| **48 VDC | 12 | 851007-048 | 851009-048 | 851003-048* | 851005-048* | 851011-048 | 0.26 | Green |
| | 25 | 851008-048 | 851010-048 | 851004-048 | 851006-048 | 851012-048 | 0.59 | |
| 120 VAC | 12 | | | 851003-120 | 851005-120 | | 0.14 | Brown |
| | 25 | | | 851004-120 | 851006-120 | | 0.23 | |
| 230 VAC | 12 | | | 851003-240 | 851005-240 | | 0.08 | White |
| | 25 | | | 851004-240 | 851006-240 | | 0.12 | |
| **440 VAC | 12 | | | 851003-480 | 851005-480 | | 0.04 | Violet |
| | 25 | | | 851004-480 | 851006-480 | | 0.07 | |

**Consult Factory *UL Listed

†Amperage draw @ 21°C (70°F)

- CV**
- Check Valves
- SH**
- Shuttle Valves
- LM**
- Load/Motor Controls
- FC**
- Flow Controls
- PC**
- Pressure Controls
- LE**
- Logic Elements
- DC**
- Directional Controls
- MV**
- Manual Valves
- SV**
- Solenoid Valves
- PV**
- Proportional Valves
- CE**
- Coils & Electronics
- BC**
- Bodies & Cavities
- TD**
- Technical Data