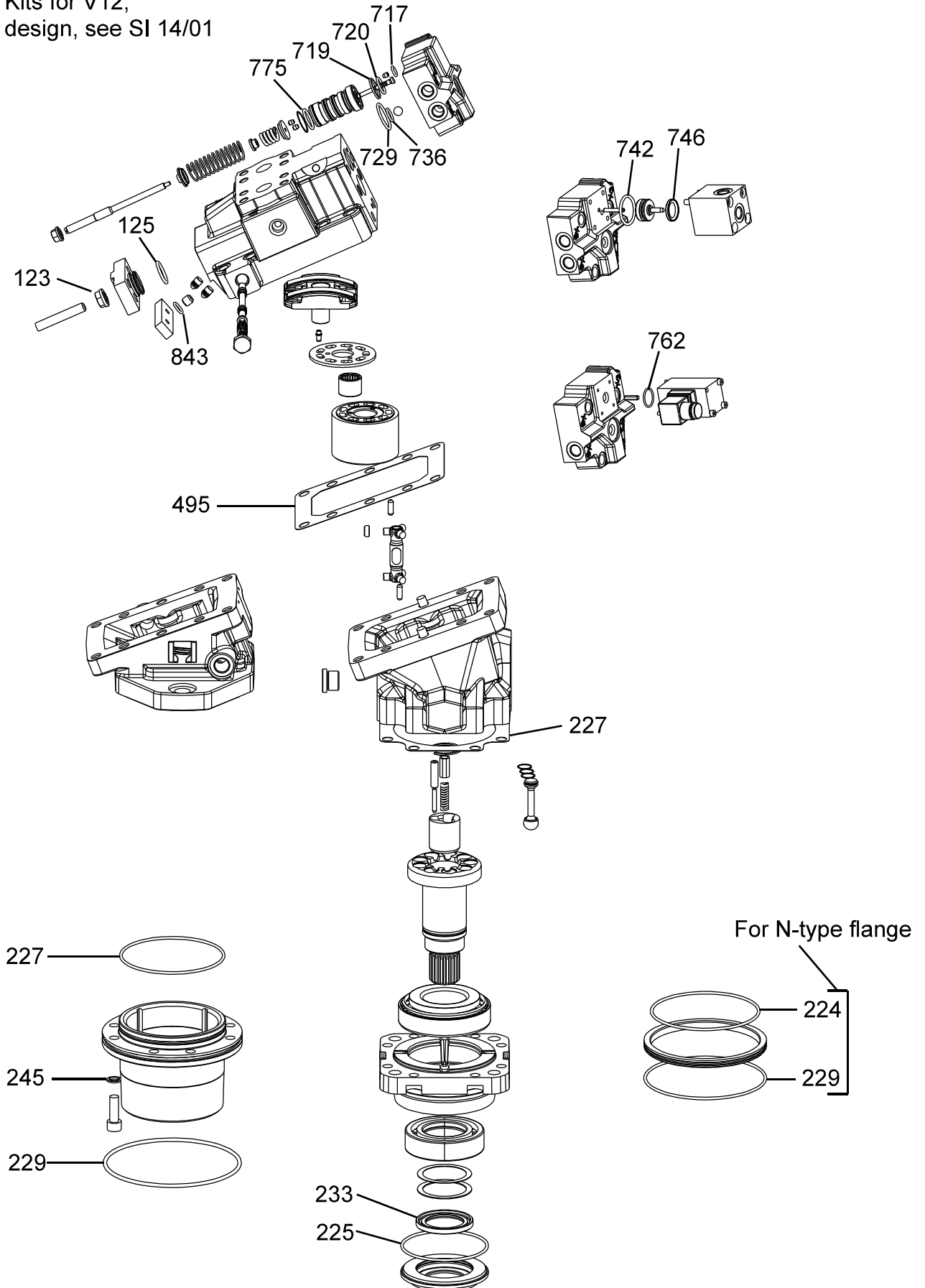


Seal Kits for V12,  
New design, see SI 14/01



## Seal Kit for V12-60

## 3794856 Sealing Kit Type V

## Tätningssats Typ V

Item	Part No	Title	Benämning	Qty	Remarks
124	3792367	Seal Washer	Gängtätbricka	1	Status A/C
125	3786712	O-Ring	O-Ring	1	22,2*3 V80
224	948982	O-Ring	O-Ring	1	119,5*3 V70
225	948981	O-Ring	O-Ring	1	94,5*3 V70
227	3791854	Gasket	Packning	1	
227	3796541	O-Ring	O-Ring	1	114,5*3 V80
229	3786424	O-Ring	O-Ring	1	132*3 V80
229	976641	O-Ring	O-Ring	1	150*4 V70
229	3794861	O-Ring	O-Ring	1	117,07*3,53 V80
233	3786838	Shaft Seal	Tätningssats	1	
245	947083	Seal Washer	Tätbricka	8	
495	3791772	Gasket	Packning	1	
715	3792367	Seal Washer	Gängtätbricka	1	Status A/C
717	976823	O-Ring	O-Ring	3	8,3*2,4 V80
719	976831	O-Ring	O-Ring	1	16,3*2,4 V90
720	3789020	Support Ring	Stödtring	1	2*21*25
729	3786716	O-Ring	O-Ring	1	28,24*2,62 V90
736	3786855	O-Ring	O-Ring	2	12,3*2,4 V80
737	976823	O-Ring	O-Ring	4	8,3*2,4 V80
737	3789021	Support Ring	Stödtring	4	1*10*13
737	3789115	O-ring	O-ring	4	9,5*2 N90
742	3786717	O-Ring	O-Ring	1	29,2*3 V80
746	3794257	Piston Seal Assy	Kolv tätning Kpl	1	
762	3798231	O-Ring	O-Ring	1	18,77*1,78 V80
775	3786711	O-Ring	O-Ring	1	20,63*2,62 V80
793	3704966	Seal Nut	Tätmutter	1	M8*1
843	3709609	O-Ring	O-Ring	1	11,3*2,4 V80