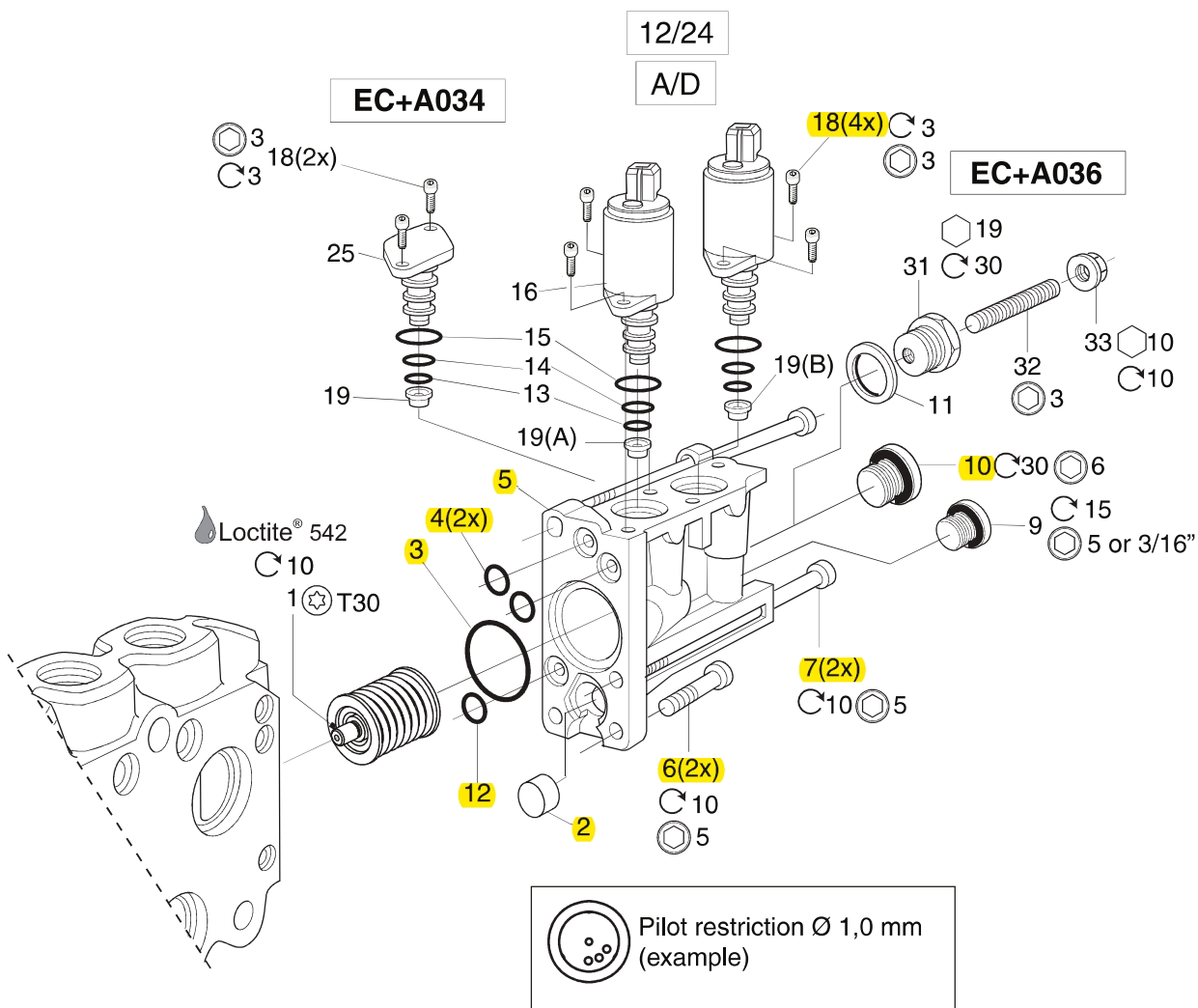


**EB, EBH, EBHL, EC, ECH, ECHL, ECP, ECS, ECSP, A, D, 12, 24, A034, A036**



See Customer Specification				
Code	Pos	Part	Description	Remarks / Items
EC,ECH,EB,EBH,ECP,ECS,ECSP	50	393000K343	Spring kit, std (5.5-15) bar	1
ECHL, EBHL	50	393000K342	Spring kit, Light (5.5-11) bar	1
EC,ECH,EB,EBH,ECP,ECS,ECSP + G	50 + 04	393000K151	Cap kit, (BSP)	2, 3, 4(2x), 5, 6(2x), 7(2x), 10, 12, 18(4x)
EC,ECH,EB,EBH,ECP,ECS,ECSP + U	50 + 04	393000K152	Cap kit, (UNF)	2, 3, 4(2x), 5, 6(2x), 7(2x), 9, 10, 12, 18(4x)
A036 + G	59 + 04	6760781	Cap kit A036, (BSP)	2, 3, 4(2x), 5, 6(2x), 7(2x), 9, 11, 12, 18(4x), 31, 32, 33
A036 + U	59 + 04	6763226	Cap kit A036, (UNF)	
A036	59	393000K845	Seal kit A036	3, 4(2x), 12, 33
EC,ECH,EB,EBH,ECP,ECS,ECSP + G	50 + 04	393000K846	Seal kit (BSP)	3, 4(2x), 10, 12
EC,ECH,EB,EBH,ECP,ECS,ECSP + U	50 + 04	393000K871	Seal kit (UNF)	3, 4(2x), 9, 10, 12
A034	89A/89B	393000K984	Blocking plug PVC25	25 [13, 14, 15], 18(2x), 19
A036	59	393000K036	Spool stroke limiting kit	11, 31, 32, 33
A023	59	393000K859	Spring kit, (8-24) bar	1
A063	59	6763031	Spring kit, (7-26) bar	1
A064	59	6760645	Spring kit, (6.5-20) bar	1
A107	59	6760264	Spring kit, (6.5-17) bar	1
A259	59	398000K023	Spring kit, (6.5-15) bar	1(Stroke limited spring pack,5,3mm)
EC,ECH,EB,EBH,ECP,ECS,ECSP	50	-	Plug VST11/4EDCF	10
EC*, EB*/ A036 + U	50/59+04	-	Plug 4HP5ON-S	9
A036 + G	59 + 04	-	Plug VST11/8EDCF	9

Code	Pos	Part	Description	Remarks / Items
b)+12+A	50/59+05+56A/B	393000M012	PVC25 solenoid valve, 12 VDC	16, 18(2x) Man. override, air bleed, AMP
b)+24+A	50/59+05+56A/B	393000M024	PVC25 solenoid valve, 24 VDC	16, 18(2x) Man. override, air bleed, AMP
c)+12+D	50 + 05 + 56A/B	393000D012	PVC25 solenoid valve, 12 VDC	16, 18(2x) No man. overr. no air bleed, Deutsch
c)+24+D	50 + 05 + 56A/B	393000D024	PVC25 solenoid valve, 24 VDC	16, 18(2x) No man. overr. no air bleed, Deutsch
c)+12+A	50 + 05 + 56A/B	393000N012	PVC25 solenoid valve, 12 VDC	16, 18(2x) No man. overr. no air bleed, AMP
c)+24+A	50 + 05 + 56A/B	393000N024	PVC25 solenoid valve, 24 VDC	16, 18(2x) No man. overr. no air bleed, AMP
b), c)	50	393000K813	Seal kit, PVC25	13, 14, 15
2,0	55A/B	6760090	Pilot orifice ø2.0, marking: 9 spots	19(5x), (earlier marked black)
1,5	55A/B	6760089	Pilot orifice ø1.5, marking: 8 spots	19(5x), (earlier marked blue)
1,4	55A/B	6760088	Pilot orifice ø1.4, marking: 7 spots	19(5x), (earlier marked green/white)
1,3	55A/B	6760087	Pilot orifice ø1.3, marking: 6 spots	19(5x), (earlier marked orange)
1,2	55A/B	6760086	Pilot orifice ø1.2, marking: 5 spots	19(5x), (earlier marked yellow)
1,1	55A/B	6760085	Pilot orifice ø1.1, marking: 4 spots	19(5x), (earlier marked red)
1,0	55A/B	6760084	Pilot orifice ø1.0, marking: 3 spots	19(5x), (earlier marked green)
0,9	55A/B	6760083	Pilot orifice ø0.9, marking: 10 spots	19(5x), (earlier marked red/white)
0,8	55A/B	6760082	Pilot orifice ø0.8, marking: 2 spots	19(5x), (earlier marked white)
0,7	55A/B	6760081	Pilot orifice ø0.7, marking: 12 spots	19(5x), (earlier marked black/red)
0,6	55A/B	6760080	Pilot orifice ø0.6, marking: 1 spot	19(5x), (earlier marked brown)
0,45	55A/B	6760079	Pilot orifice ø0.45, marking: 11 spots	19(5x), (earlier marked blue/white)

b) EC, ECP, ECH/A096, ECHL/A096;

c) ECH, ECHL, ECS, ECSP