



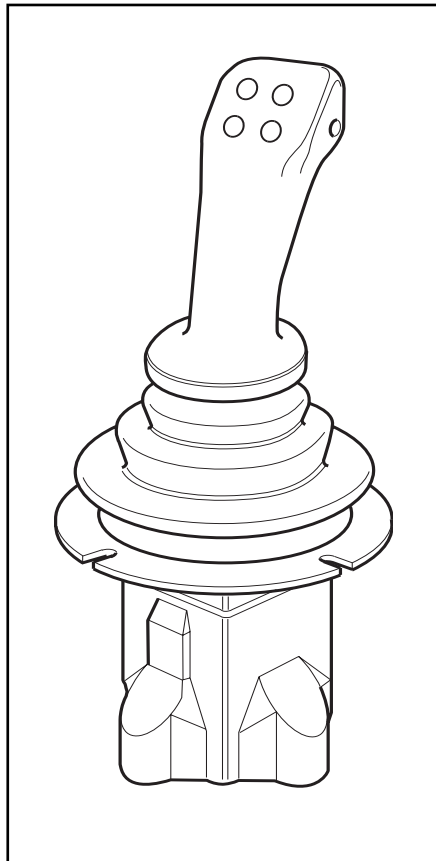
Bulletin HY17-8863-M1/UK

# Spare Parts List

## Series PCL401

Effective date: November 06, 2013  
Supersedes: February 05, 2013

---



This list of spare parts is designed to give you a good idea of the components included in the product range for valves. To see precisely which component is used for a specific product, you will need to look at the customer specification for the product in question. The customer specification contains a number of entries, and for each entry, a code pressure or flow is specified with a code or a number. To help you find your way around, this list of spare parts contains references to these entries and codes.

Codes on the image page of the list of spare parts usually appear in bold and enclosed in a border. The table page contains available spare part sets. The ordering code is the product code that appears in the Part column.

The spare part to be used is determined by the first two columns, which contain the entry and the code from the customer specification. If these columns are empty, the spare part set is valid regardless of the selected code, unless indicated otherwise

The symbols in the frame below are used in this Spare Parts List to help you find the right tools, the right torques, suitable grease etc.




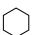









**A little technical index. Example.**

- 1 = Item pos. no. 1.
- 1(2x) = Item pos. no. 1 consists of 2 pieces in the kit.
- 1 [2] = Item pos. no. 2 already mounted on the item pos. no. 1 at delivery.
- 1 [2](2x) = Item pos. no. 1 (see above) consists of 2 pieces in the kit.

**Conversion factors**

- 1 kg = 2.2046 lb
- 1 N = 0.22481 lbf
- 1 Nm = 0.10197 kpm
- 1 bar = 14.504 psi
- 1 l = 0.21997 UK gallon
- 1 l = 0.26417 US gallon
- 1 cm<sup>3</sup> = 0.061024 in<sup>3</sup>
- 1 m = 3.2808 feet
- 1 mm = 0.03937 in
- 9/5 °C + 32 = °F

**Symbols for servicing**

-  = Phillips screw
-  = Slot screw
-  = Socket head dimensions in mm and/or inch
-  = Hexagon dimensions in mm and/or inch
-  = Sixpoint socket
-  = Wrench size in mm and/or inch or special assembly/disassembly tool needed. No...
-  = Thread for disassembly type...
-  = Tightening torque in Nm
-  = Use locking/sealing fluid type...
-  = Use corrosion preventative type...
-  = Use hydraulic liquid for lubrication
-  = Use grease type...
-  = Spool classified by size



**WARNING – USER RESPONSIBILITY**

**FAILURE OR IMPROPER SELECTION OR IMPROPER USE OF THE PRODUCTS DESCRIBED HEREIN OR RELATED ITEMS CAN CAUSE DEATH, PERSONAL INJURY AND PROPERTY DAMAGE.**

This document and other information from Parker-Hannifin Corporation, its subsidiaries and authorized distributors provide product or system options for further investigation by users having technical expertise.

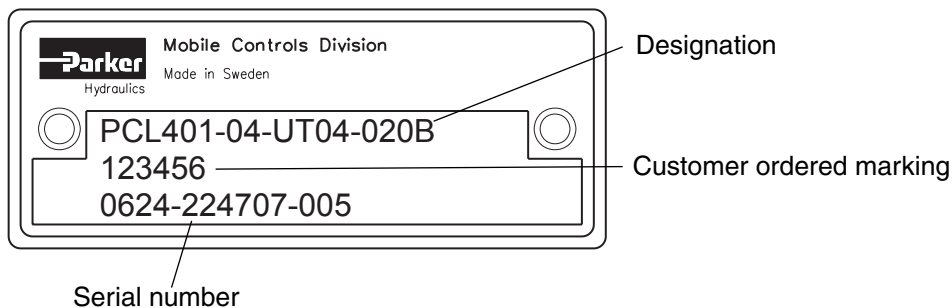
The user, through its own analysis and testing, is solely responsible for making the final selection of the system and components and assuring that all performance, endurance, maintenance, safety and warning requirements of the application are met. The user must analyze all aspects of the application, follow applicable industry standards, and follow the information concerning the product in the current product catalog and in any other materials provided from Parker or its subsidiaries or authorized distributors.

To the extent that Parker or its subsidiaries or authorized distributors provide component or system options based upon data or specifications provided by the user, the user is responsible for determining that such data and specifications are suitable and sufficient for all applications and reasonably foreseeable uses of the components or systems.

**Offer of Sale**

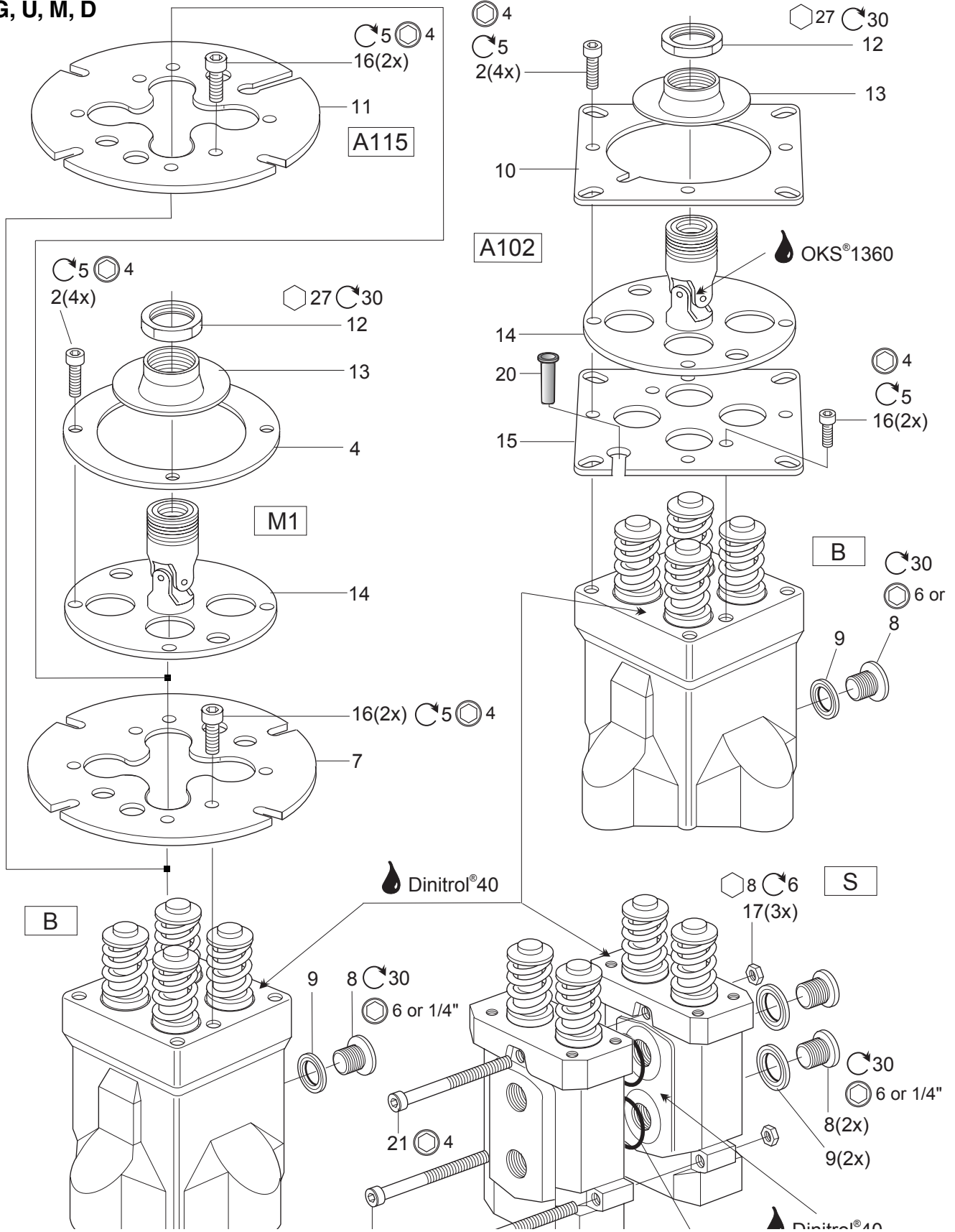
Please contact your Parker representation for a detailed "Offer of Sale".

<b>List of contents</b>	<b>Page</b>
Basic Valve, mounting plate M1, A102, plugs, bolts.....	4
Hand levers, H1, E0 - E4, A28, A130.....	6
Hand levers, N0, N2, N2T, N4, N4T, A102 .....	8
Hand levers, N0, N2, N2T, N4, N4T .....	10
Hand levers, A-variants .....	12
<b>Appendix C: Assembly Instructions.....</b>	<b>14</b>
<b>Spring Packs, Push Pin Sets have been moved to a separate document.</b>	



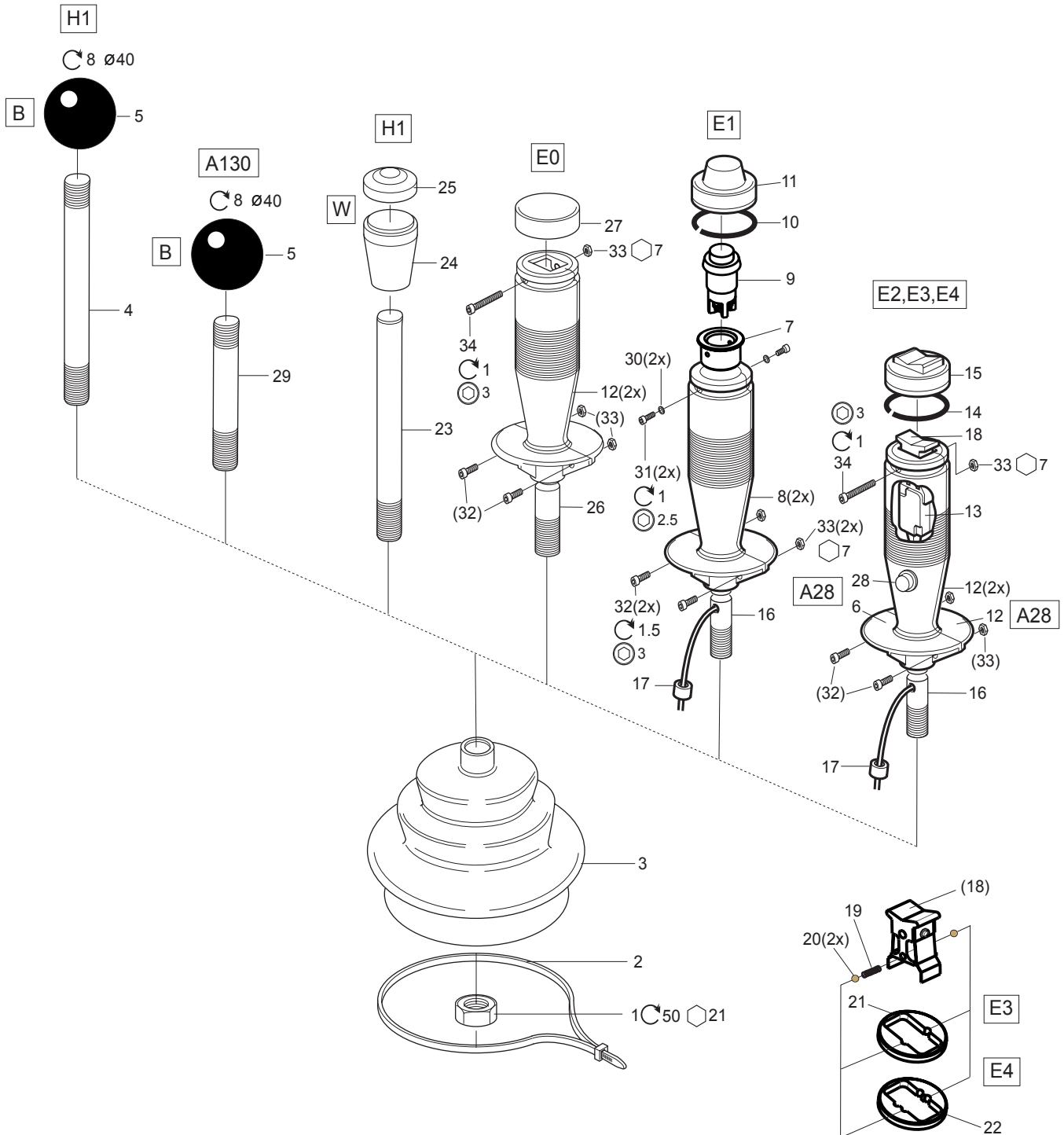
Valve serial numbers consist of three groups of digits  
The first group shows year and week of manufacture:  
In this example, 0624 means week 24 of 2006  
The remaining digits are for internal use within Parker

**S, B, M1, A102, A115,  
 G, U, M, D**



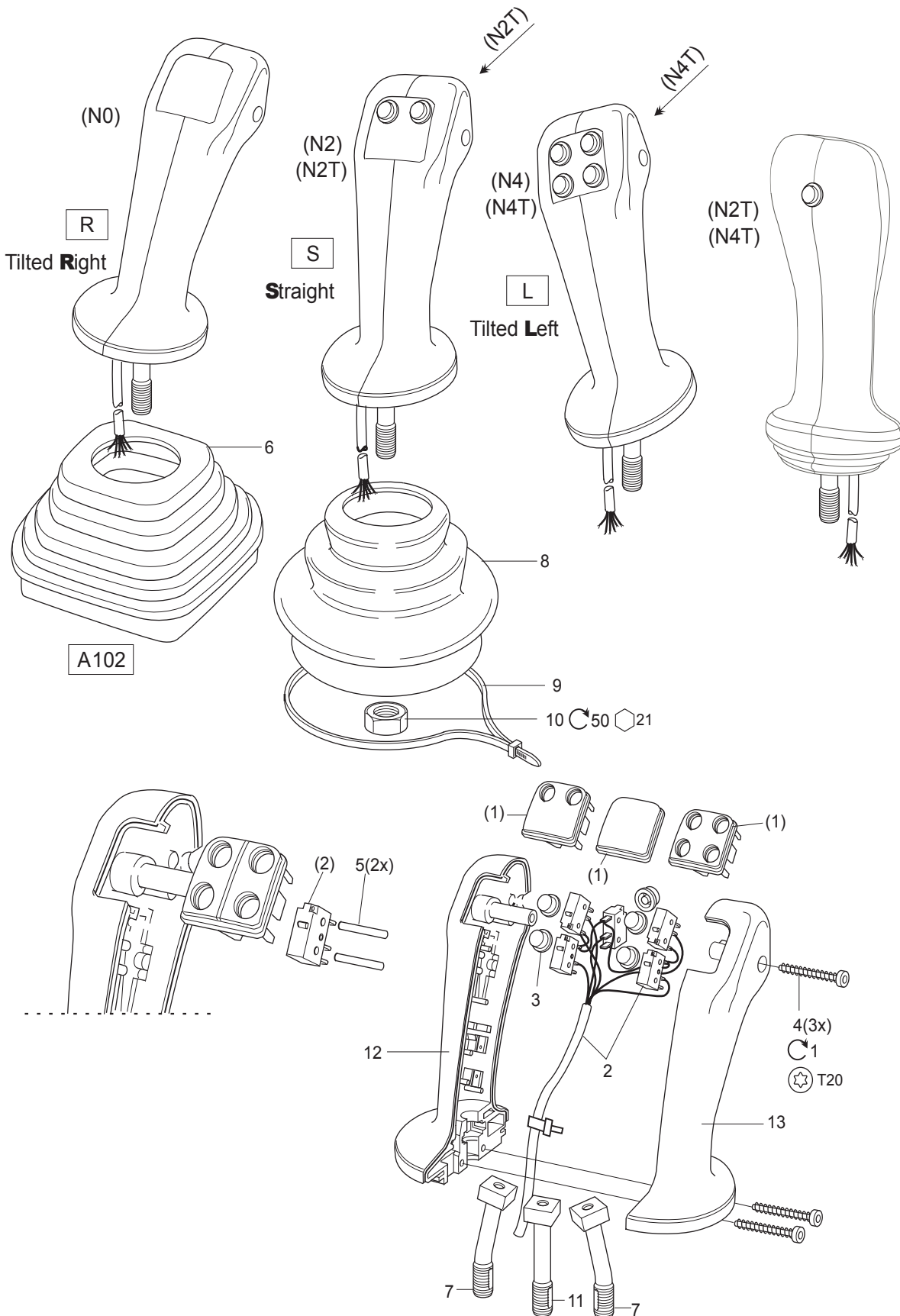
See Customer Specification				
<b>Code</b>	<b>Pos</b>	<b>Part</b>	<b>Description</b>	<b>Remarks / Items</b>
<b>M1</b>	11	9120089302	Mounting plate M1 ("Round")	2(4x), 4, 7, 14 [12, 13], 16(2x)
<b>M1</b>	11	9120089591	Lever linkage, std	2(4x), 4, 14 [12, 13]
<b>A102</b>	11	9120089552	Mounting plate A102 ("Square")	2(4x), 10, 14 [12, 13], 15, 16(2x), 20
<b>A102</b>	11	6763203	Lever linkage, A102	2(4x), 10, 14 [12, 13]
<b>A115</b>	35	9120089621	Mounting plate A115	2(4x), 4, 11, 14 [12, 13], 16(2x)
<b>S, B + G</b>	10 + 04	9120089340	Plug kit, BSP	8(2x), 9(2x)
<b>S, B + U</b>	10 + 04	-	Plug 6HP5ON-S, UNF	8 [9]
<b>S, B + M</b>	10 + 04	9120089388	Plug kit, Metric	8(2x), 9(2x)
<b>S, B + D</b>	10 + 04	-	Plug VST114x1.5ORCF	8 [9]
<b>S</b>	10	9120089301	Bolt kit, S	17(3x), 18(2x), 19(2x), 21

**H1, B, W, E0, E1, E2, E3, E4, A28, A130**



See Customer Specification				
Code	Pos	Part	Description	Remarks / Items
<b>B</b>	27	6760570	Handle ball Ø40 (black)	5
<b>A15</b>	35	6760784	Handle ball Ø35, A15 (red)	5
<b>W</b>	27	6760546	Handle window	25 (6x)
<b>W</b>	27	6760950	Handle window with lever knob	24, 25
<b>H1 + B</b>	26 + 27	9120059052	Handle H1 - B	1, 2, 3, 4, 5
<b>A130 + B</b>	26 + 27	9120089721	Handle A130 - B	1, 2, 3, 5, 29
<b>H1 + W</b>	26 + 27	9120089358	Handle H1 - W	1, 2, 3, 23, 24, 25
<b>E0</b>	26	9120089507	Hand lever E0	2, 26 [1, 3, 12(2x), 27, 32(2x), 33(3x), 34]
<b>E0</b>	26	6760956	Cap lever E0	27
<b>E1</b>	26	9120059053	Hand lever E1	2, 16 [1, 3, 7, 8(2x), 9, 10, 11, 30(2x), 31(2x), 32(2x), 33(2x)], 17
<b>E1</b>	26	6760913	Insert and button kit, hand lever E1	7, 9, 10, 11, 30(2x), 31(2x)
<b>E1</b>	26	9120059115	Handle half E1	8(2x)
<b>E1</b>	26	6763160	Boot E1	10, 11
<b>E1</b>	26	6760452	Switch E1	9
<b>E2</b>	26	9120059054	Hand lever E2	2, 16 [1, 3, 12(2x), 13, 14, 15, 18, 32(2x), 33(3x), 34], 17
<b>E3</b>	26	9120059055	Hand lever E3	2, 16 [1, 3, 12[2x], 13, 14, 15, 18, 32(2x), 33(3x), 34], 17, 19, 20(2x), 21
<b>E3</b>	26	9125963303	Detent E3	19, 20(2x), 21
<b>E4</b>	26	9120059056	Hand lever E4	2, 16 [1, 3, 12(2x), 13, 14, 15, 18, 32(2x), 33(3x), 34], 17, 19, 20(2x), 22
<b>E4</b>	26	9125963304	Detent E4	18, 19, 20(2x), 22
<b>E0, E2, E3, E4</b>	26	9120059110	Handle half E0, E2, E3, E4	12(2x)
<b>E2, E3, E4</b>	26	6760957	Rubber cap E2, E3, E4	14, 15
<b>E2, E3, E4</b>	26	9120089508	Micro switch with cable	13(2x)
<b>H1, E0, E1, E2, E3, E4</b>	26	6760568	Boot with locking strap	2, 3
<b>H1, E0, E1, E2, E3, E4</b>	26	6760684	Locking strap 368 x 4.8 mm	2 (10x)
<b>A15</b>	35	6761051	Boot A15	3
<b>A28 + E2</b>	35 + 26	9120089384	Handle A28 + E2	2, 16 [1, 3, 6, 12, 13, 14, 15, 18, 28, 32(2x), 33(3x), 34], 17
<b>A28 + E4</b>	35 + 26	9120089624	Handle A28 + E4	2, 16 [1, 3, 6, 12, 13, 14, 15, 18, 28, 32(2x), 33(3x), 34], 17, 19, 20(2x), 22
<b>A28</b>	35	6760611	Switch kit A28	28
<b>A27,A49,A64,A148</b>	35	9120089681	Cable 3 x 0.34 x 1100 mm	Not shown

**N0, N2, N2T, N4, N4T, A102**

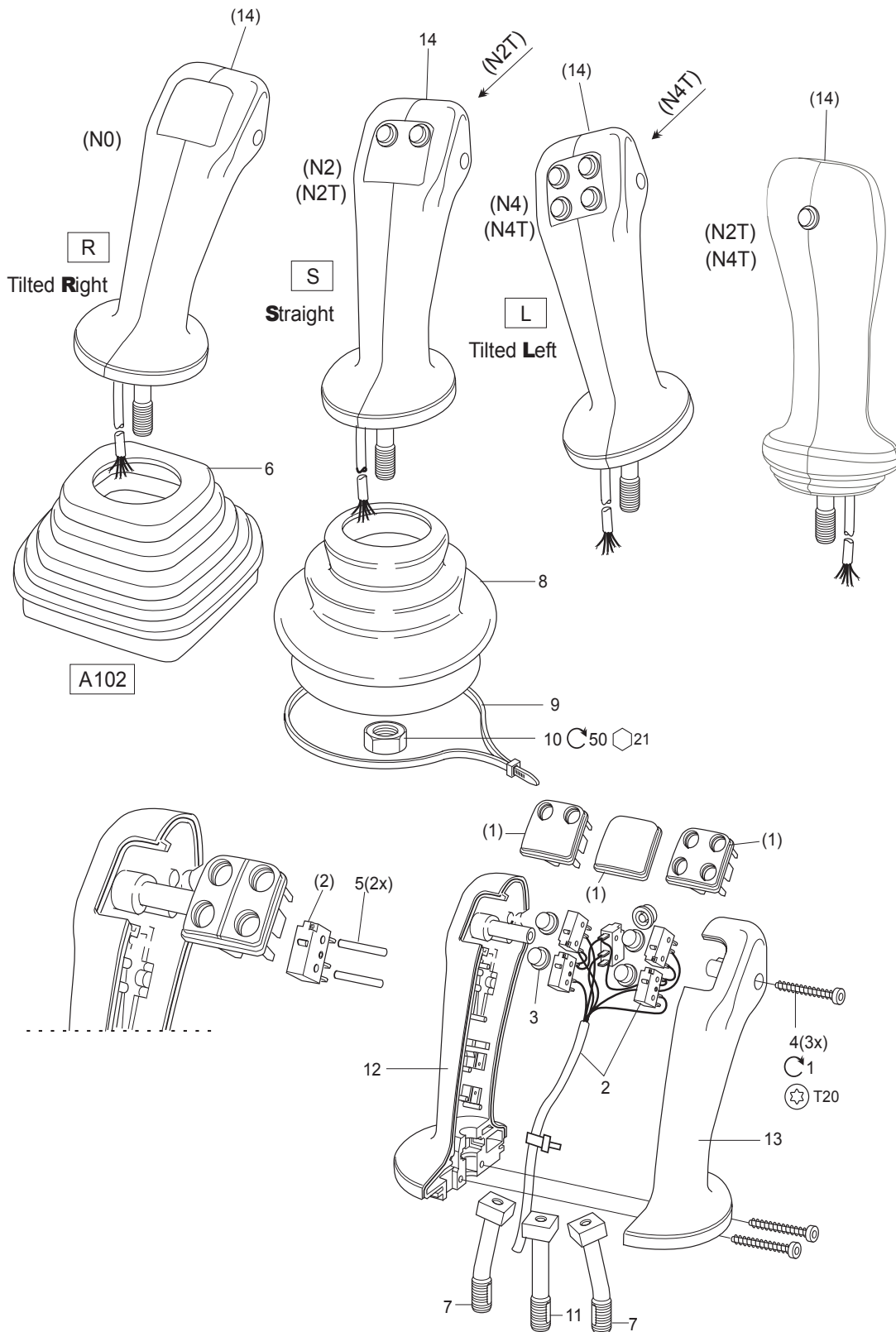




See Customer Specification				
Code	Pos	Part	Description	Remarks / Items
N2	26	9120089684	Cable/switch assembly, N2	2 (2 switches) 740 mm cable
N2T	26	9120089683	Cable/switch assembly, N2T	2 (3 switches) 740 mm cable
N4	26	9120089685	Cable/switch assembly, N4	2 (4 switches) 740 mm cable
N4T	26	9120089686	Cable/switch assembly, N4T	2 (5 switches) 750 mm cable
A98	35	9120089687	Cable/switch assembly, A98 (N4T)	2 (5 switches) 750 mm cable, Deutsch conn.
A113	35	9120089688	Cable/switch assembly, A113 (N4T)	2 (5 switches) 1050 mm cable, Deutsch conn.
A125*	12*, 13*	9120089690	Cable/switch assembly, A125 (N4T)	2 (5 switches) 410 mm cable, Deutsch conn.
A145	35	9120089711	Cable/switch assembly, A145 (N4T)	2 (5 switches) 800 mm cable, Deutsch conn.
<b>N0</b>	<b>26</b>	<b>9120089619</b>	<b>Handle halves, kit N0</b>	<b>1, 12, 13</b>
N2	26	9120089618	Handle halves, kit N2	1, 12, 13
N2T	26	9120089617	Handle halves, kit N2T	1, 12, 13
N4	26	9120089616	Handle halves, kit N4	1, 12, 13
N4T	26	9120089615	Handle halves, kit N4T	1, 12, 13
A98	35	9120089668	Handle halves, kit A98 (N4T)	1, 4, 12, 13
N0, N2, N2T, N4, N4T	26	9120089595	Micro switch kit	2, 5(2x)
	26	6760177	Micro switch kit	2, 3, 5(2x)
	26	9120089692	Boot for M1	8, 9
	26	6760684	Locking strap	9 (10x)
A102	11	6763206	Boot for A102	6
N2, N2T, N4, N4T	26	6760560	Trigger kit	3
	26	6760207	Trigger kit	3(10x)

\* Old Customer Specification

**N0, N2, N2T, N4, N4T, M1, A102**

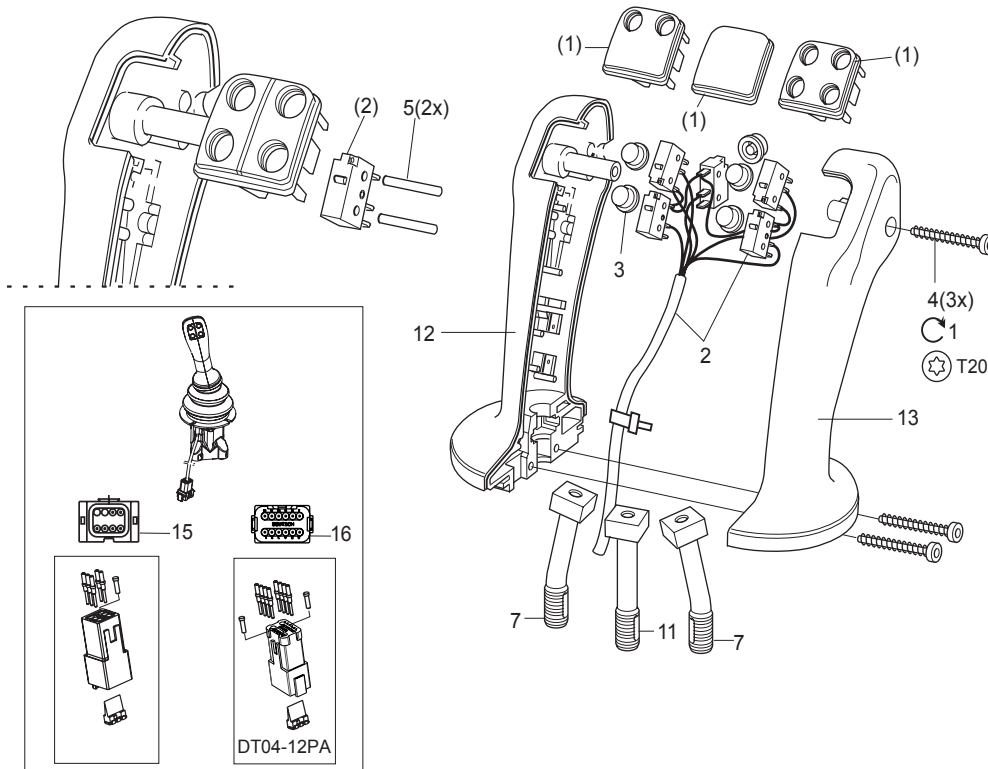
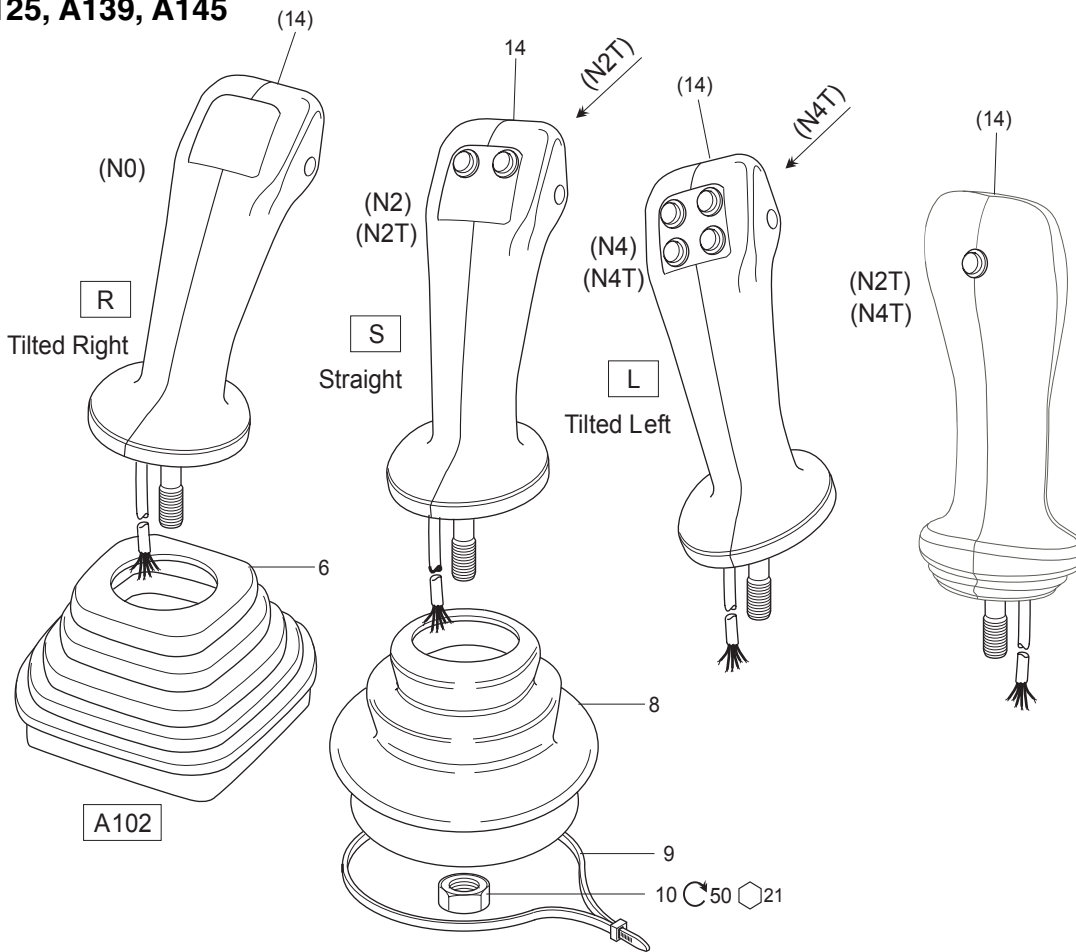


See Customer Specification				
Code	Pos	Part	Description	Remarks / Items
<b>N0 + L + M1</b>	26 + 27 + 11	9120089604	Handle <i>tilted</i> Left, N0 assy	8, 9, 14 [1, 4(3x), 7, 10, 12, 13] <b>a)</b>
<b>N0 + R + M1</b>	26 + 27 + 11	9120089605	Handle <i>tilted</i> Right, N0 assy	8, 9, 14 [1, 4(3x), 7, 10, 12, 13] <b>b)</b>
<b>N0 + S + M1</b>	26 + 27 + 11	9120089606	Handle Straight, N0 assy	8, 9, 14 [1, 4(3x), 10, 11, 12, 13]
<b>N0 + L + A102</b>	26 + 27 + 11	9120089597	Handle <i>tilted</i> Left, N0 assy	6, 14 [1, 4(3x), 7, 10, 12, 13] <b>a)</b>
<b>N0 + L + A26</b>	26 + 27 + 35	9120089669	Handle <i>tilted</i> Left, N0 assy, A26	14 [1, 4(3x), 7, 10, 12, 13]
<b>N0 + R + A102</b>	26 + 27 + 11	9120089598	Handle <i>tilted</i> Right, N0 assy	6, 14 [1, 4(3x), 7, 10, 12, 13] <b>b)</b>
<b>N0 + S + A102</b>	26 + 27 + 11	9120089599	Handle Straight, N0 assy	6, 14 [1, 4(3x), 10, 11, 12, 13]
<b>N2 + L + M1</b>	26 + 27 + 11	9120089582	Handle <i>tilted</i> Left, N2 assy	8, 9, 14 [1, 4(3x), 7, 10, 12, 13] <b>a)</b>
<b>N2 + R + M1</b>	26 + 27 + 11	9120089583	Handle <i>tilted</i> Right, N2 assy	8, 9, 14 [1, 4(3x), 7, 10, 12, 13] <b>b)</b>
<b>N2 + S + M1</b>	26 + 27 + 11	9120089622	Handle Straight, N2 assy	8, 9, 14 [1, 4(3x), 10, 11, 12, 13]
<b>N2 + L + A102</b>	26 + 27 + 11	9120089611	Handle <i>tilted</i> Left, N2 assy	6, 14 [1, 4(3x), 7, 10, 12, 13] <b>a)</b>
<b>N2 + R + A102</b>	26 + 27 + 11	9120089612	Handle <i>tilted</i> Right, N2 assy	6, 14 [1, 4(3x), 7, 10, 12, 13] <b>b)</b>
<b>N2 + S + A102</b>	26 + 27 + 11	9120089625	Handle Straight, N2 assy	6, 14 [1, 4(3x), 10, 11, 12, 13]
<b>N2T + L + M1</b>	26 + 27 + 11	6761079	Handle <i>tilted</i> Left, N2T assy	8, 9, 14 [1, 4(3x), 7, 10, 12, 13] <b>a)</b>
<b>N2T + R + M1</b>	26 + 27 + 11	6761080	Handle <i>tilted</i> Right, N2T assy	8, 9, 14 [1, 4(3x), 7, 10, 12, 13] <b>b)</b>
<b>N2T + S + M1</b>	26 + 27 + 11	9120089667	Handle Straight, N2T assy	8, 9, 14 [1, 4(3x), 10, 11, 12, 13]
<b>N2T + L + A102</b>	26 + 27 + 11	9120089593	Handle <i>tilted</i> Left, N2T assy	6, 14 [1, 4(3x), 7, 10, 12, 13] <b>a)</b>
<b>N2T + R + A102</b>	26 + 27 + 11	9120089592	Handle <i>tilted</i> Right, N2T assy	6, 14 [1, 4(3x), 7, 10, 12, 13] <b>b)</b>
<b>N2T + S + A102</b>	26 + 27 + 11	6763213	Handle Straight, N2T assy	6, 14 [1, 4(3x), 10, 11, 12, 13]
<b>N4 + L + M1</b>	26 + 27 + 11	9120089585	Handle <i>tilted</i> Left, N4 assy	8, 9, 14 [1, 4(3x), 7, 10, 12, 13] <b>a)</b>
<b>N4 + R + M1</b>	26 + 27 + 11	9120089584	Handle <i>tilted</i> Right, N4 assy	8, 9, 14 [1, 4(3x), 7, 10, 12, 13] <b>b)</b>
<b>N4 + S + M1</b>	26 + 27 + 11	9120089594	Handle Straight, N4 assy	8, 9, 14 [1, 4(3x), 10, 11, 12, 13]
<b>N4 + L + A102</b>	26 + 27 + 11	6763214	Handle <i>tilted</i> Left, N4 assy	6, 14 [1, 4(3x), 7, 10, 12, 13] <b>a)</b>
<b>N4 + R + A102</b>	26 + 27 + 11	6763215	Handle <i>tilted</i> Right, N4 assy	6, 14 [1, 4(3x), 7, 10, 12, 13] <b>b)</b>
<b>N4 + S + A102</b>	26 + 27 + 11	9120089720	Handle Straight, N4 assy	6, 14 [1, 4(3x), 10, 11, 12, 13]
<b>N4T + L + M1</b>	26 + 27 + 11	9120089587	Handle <i>tilted</i> Left, N4T assy	8, 9, 14 [1, 4(3x), 7, 10, 12, 13] <b>a)</b>
<b>N4T + R + M1</b>	26 + 27 + 11	9120089586	Handle <i>tilted</i> Right, N4T assy	8, 9, 14 [1, 4(3x), 7, 10, 12, 13] <b>b)</b>
<b>N4T + S + M1</b>	26 + 27 + 11	9120089613	Handle Straight, N4T assy	8, 9, 14 [1, 4(3x), 10, 11, 12, 13]
<b>N4T + L + A102</b>	26 + 27 + 11	6763216	Handle <i>tilted</i> Left, N4T assy	6, 14 [1, 4(3x), 7, 10, 12, 13] <b>a)</b>
<b>N4T + R + A102</b>	26 + 27 + 11	6763217	Handle <i>tilted</i> Right, N4T assy	6, 14 [1, 4(3x), 7, 10, 12, 13] <b>b)</b>
<b>N4T + S + A102</b>	26 + 27 + 11	9120089655	Handle Straight, N4T assy	6, 14 [1, 4(3x), 10, 11, 12, 13]

a) For right hand operation.

b) For left hand operation.

**A98, A100, A105, A113, A115,  
 A122, A125, A139, A145**

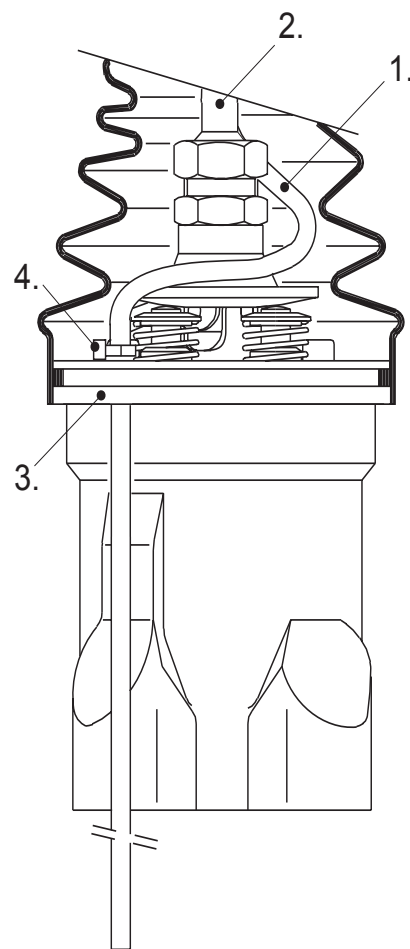


See Customer Specification				
Code	Pos	Part	Description	Remarks / Items
<b>N2T + A113 + L + A102</b>	26 + 35 + 27 + 11	9120089601	Handle <i>tilted</i> Left, A113 assy <b>a)</b>	6, 14 [1, 4(3x), 7, 10, 12, 13]
<b>N2T + A113 + R + A102</b>	26 + 35 + 27 + 11	9120089602	Handle <i>tilted</i> Right, A113 assy <b>b)</b>	6, 14 [1, 4(3x), 7, 10, 12, 13]
<b>N4T + A98 + L</b>	26 + 35 + 27	9120089550	Handle <i>tilted</i> Left, A98 assy	14 [1, 4(3x), 7, 10, 12, 13]
<b>N4T + A98 + R</b>	26 + 35 + 27	9120089551	Handle <i>tilted</i> Right, A98 assy	14 [1, 4(3x), 7, 10, 12, 13]
<b>N4T + A100 + L</b>	26 + 35 + 27	6763218	Handle <i>tilted</i> Left, A100 assy	14 [1, 4(3x), 7, 10, 12, 13]
<b>N4T + A100 + R</b>	26 + 35 + 27	6763219	Handle <i>tilted</i> Right, A100 assy	14 [1, 4(3x), 7, 10, 12, 13]
<b>N4T + A105 + L + A102</b>	26 + 35 + 27 + 11	9120089580	Handle <i>tilted</i> Left, A105 assy <b>a)</b>	6, 14 [1, 4(3x), 7, 10, 12, 13]
<b>N4T + A105 + R + A102</b>	26 + 35 + 27 + 11	9120089581	Handle <i>tilted</i> Right, A105 assy <b>b)</b>	6, 14 [1, 4(3x), 7, 10, 12, 13]
<b>N4T + A113 + L</b>	26 + 35 + 27	6760161	Handle <i>tilted</i> Left, A113 assy	14 [1, 4(3x), 7, 10, 12, 13]
<b>N4T + A113 + R</b>	26 + 35 + 27	6760162	Handle <i>tilted</i> Right, A113 assy	14 [1, 4(3x), 7, 10, 12, 13]
<b>N4T + A115 + L + M1</b>	26 + 35 + 27 + 11	9120089620	Handle <i>tilted</i> Left, A115 assy <b>a)</b>	8, 9, 14 [1, 4(3x), 7, 10, 12, 13]
<b>N4T *+ A125* + L*</b>	6*+12*,13*+(6:1)*	9120089670	Handle <i>tilted</i> Left, A125 assy	14 [1, 4(3x), 7, 10, 12, 13]
<b>N4T + A139 + L</b>	26 + 35 + 27	6760466	Handle <i>tilted</i> Left, A139 assy	14 [1, 4(3x), 7, 10, 12, 13]
<b>N4T + A139 + R</b>	26 + 35 + 27	6760467	Handle <i>tilted</i> Right, A139 assy	14 [1, 4(3x), 7, 10, 12, 13]
<b>N4T + A139 + S</b>	26 + 35 + 27	6760468	Handle Straight, A139 assy	14 [1, 4(3x), 10, 11, 12, 13]
<b>N4T + A145 + S + A102</b>	26 + 35 + 27 + 11	9120089730	Handle Straight, A145 assy	6, 14 [1, 4(3x), 10, 11, 12, 13]
<b>A98, A100, A113, A115, A122, A139, A145</b>	35	9120089558	Handle kit	1, 3(5x), 4(3x), 5(4x), 12, 13
	35	6760733	Push button	3
<b>A115, A125*, A139</b>	12*, 13*, 35	6760308	Connector kit, DEUTSCH DT04-08PA	15
<b>A145</b>	35	9120089726	Connector kit, DEUTSCH DT04-12PA	16
<b>A98, A100, A105, A113, A125*, A139, A145</b>	12*, 13*, 35	6763206	Boot for A102	6
<b>A115, A125*</b>	12*, 13*, 35	9120089692	Boot for M1	8, 9

\* Old Customer Specification

**a)** For right hand operation.**b)** For left hand operation.

### *Cable assembly on E handles*

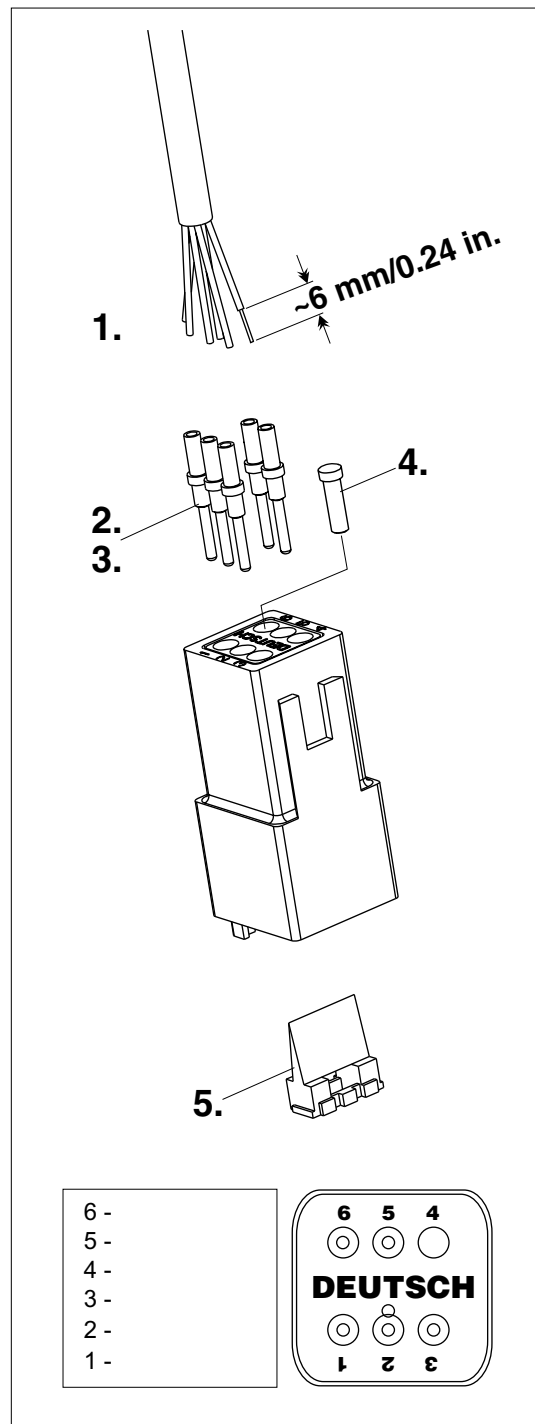


1. Pull cable from handle clockwise.
2. Around the lever stem.
3. Trough the mounting plate.
4. Until it stops of the strap on the cable.

**Instructions for assembly of  
connectors, type Deutsch**

1. Peel wires appr. 6 mm/0.24inch
2. Crimp\* sleeves on wires.
3. Put sleeves into the contact housing, follow the color/pin # placing acc to requirements.
4. Put blind pin into places not used.
5. Press the locking plug to place.

\* Recommended hand tool:  
Deutsch, DTT-16-00



# Parker Worldwide

## Europe, Middle East, Africa

**AE – United Arab Emirates,**  
Dubai

Tel: +971 4 8127100  
parker.me@parker.com

**AT – Austria,** Wiener Neustadt  
Tel: +43 (0)2622 23501-0

parker.austria@parker.com

**AT – Eastern Europe,** Wiener  
Neustadt

Tel: +43 (0)2622 23501 900  
parker.easteurope@parker.com

**AZ – Azerbaijan,** Baku  
Tel: +994 50 22 33 458  
parker.azerbaijan@parker.com

**BE/LU – Belgium,** Nivelles  
Tel: +32 (0)67 280 900  
parker.belgium@parker.com

**BG – Bulgaria,** Sofia  
Tel: +359 2 980 1344  
parker.bulgaria@parker.com

**BY – Belarus,** Minsk  
Tel: +375 17 209 9399  
parker.belarus@parker.com

**CH – Switzerland,** Etoy  
Tel: +41 (0)21 821 87 00  
parker.switzerland@parker.com

**CZ – Czech Republic,** Klecany  
Tel: +420 284 083 111  
parker.czechrepublic@parker.com

**DE – Germany,** Kaarst  
Tel: +49 (0)2131 4016 0  
parker.germany@parker.com

**DK – Denmark,** Ballerup  
Tel: +45 43 56 04 00  
parker.denmark@parker.com

**ES – Spain,** Madrid  
Tel: +34 902 330 001  
parker.spain@parker.com

**FI – Finland,** Vantaa  
Tel: +358 (0)20 753 2500  
parker.finland@parker.com

**FR – France,** Contamine s/Arve  
Tel: +33 (0)4 50 25 80 25  
parker.france@parker.com

**GR – Greece,** Athens  
Tel: +30 210 933 6450  
parker.greece@parker.com

**HU – Hungary,** Budaoers  
Tel: +36 23 885 470  
parker.hungary@parker.com

**IE – Ireland,** Dublin  
Tel: +353 (0)1 466 6370  
parker.ireland@parker.com

**IT – Italy,** Corsico (MI)  
Tel: +39 02 45 19 21  
parker.italy@parker.com

**KZ – Kazakhstan,** Almaty  
Tel: +7 7273 561 000  
parker.easteurope@parker.com

**NL – The Netherlands,** Oldenzaal  
Tel: +31 (0)541 585 000  
parker.nl@parker.com

**NO – Norway,** Asker  
Tel: +47 66 75 34 00  
parker.norway@parker.com

**PL – Poland,** Warsaw  
Tel: +48 (0)22 573 24 00  
parker.poland@parker.com

**PT – Portugal,** Leca da Palmeira  
Tel: +351 22 999 7360  
parker.portugal@parker.com

**RO – Romania,** Bucharest  
Tel: +40 21 252 1382  
parker.romania@parker.com

**RU – Russia,** Moscow  
Tel: +7 495 645-2156  
parker.russia@parker.com

**SE – Sweden,** Spånga  
Tel: +46 (0)8 59 79 50 00  
parker.sweden@parker.com

**SK – Slovakia,** Banská Bystrica  
Tel: +421 484 162 252  
parker.slovakia@parker.com

**SL – Slovenia,** Novo Mesto  
Tel: +386 7 337 6650  
parker.slovenia@parker.com

**TR – Turkey,** Istanbul  
Tel: +90 216 4997081  
parker.turkey@parker.com

**UA – Ukraine,** Kiev  
Tel +380 44 494 2731  
parker.ukraine@parker.com

**UK – United Kingdom,** Warwick  
Tel: +44 (0)1926 317 878  
parker.uk@parker.com

**ZA – South Africa,** Kempton Park  
Tel: +27 (0)11 961 0700  
parker.southafrica@parker.com

## North America

**CA – Canada,** Milton, Ontario  
Tel: +1 905 693 3000

**US – USA,** Cleveland  
(industrial)  
Tel: +1 216 896 3000

**US – USA,** Elk Grove Village  
(mobile)  
Tel: +1 847 258 6200

## Asia Pacific

**AU – Australia,** Castle Hill  
Tel: +61 (0)2-9634 7777

**CN – China,** Shanghai  
Tel: +86 21 2899 5000

**HK – Hong Kong**  
Tel: +852 2428 8008

**ID – Indonesia,** Tangerang  
Tel: +62 21 7588 1906

**IN – India,** Mumbai  
Tel: +91 22 6513 7081-85

**JP – Japan,** Fujisawa  
Tel: +81 (0)4 6635 3050

**KR – South Korea,** Seoul  
Tel: +82 2 559 0400

**MY – Malaysia,** Shah Alam  
Tel: +60 3 7849 0800

**NZ – New Zealand,** Mt Wellington  
Tel: +64 9 574 1744

**SG – Singapore**  
Tel: +65 6887 6300

**TH – Thailand,** Bangkok  
Tel: +662 717 8140

**TW – Taiwan,** New Taipei City  
Tel: +886 2 2298 8987

**VN – Vietnam,** Ho Chi Minh City  
Tel: +84 8 3999 1600

## South America

**AR – Argentina,** Buenos Aires  
Tel: +54 3327 44 4129

**BR – Brazil,** Cachoeirinha RS  
Tel: +55 51 3470 9144

**CL – Chile,** Santiago  
Tel: +56 2 623 1216

**MX – Mexico,** Toluca  
Tel: +52 72 2275 4200

© 2013 Parker Hannifin Corporation. All rights reserved.



## Parker Hannifin Corporation

Hydraulics Group  
6035 Parkland Boulevard  
Cleveland, OH 44124  
phone 1 800-C PARKER  
www.parker.com/hydraulics

Your local authorized Parker distributor

Ed.: 2013-08-01