

Accessoires

Type

Order code



Connection flange set

For central air supply and exhaust a connection flange is required. A set consists of inlet flange and blind flange. Inlet flanges are supplied with push-in connectors Ø 6 mm for both air supply and exhaust.

CFH6
CFH12

Ø 6 mm (standard)
G1/4"

3500200
3500300



Electric indicator unit

Electric indicator modules can be combined with Servo H and Valve H modules for detection of movements or safety position indication. Electric indicator modules are equipped with 2 LED's, 24V. Electric connections can be found on the bottom of the module.

EML-24-GR
EML-24-GO
EML-24-GG
EML-24-RR
EML-24-OO

green/red
green/yellow
green/green
red/red
yellow/yellow

3503200
3503300
3503400
3503100
3503500



Control cylinder for (proportional) hydraulic control block

The cylinders mounted on the hydraulic valve block shift valves are equipped with springs for centre positioning. By using dedicated cylinders with the correct spring forces, we are able to create the best possible control system. The type of cylinder depends on the dimensions of the hydraulic valveblock used.

REG 40/7+7

3095900



Roller valve DSA/VA

The "roller" valve is used for detecting movements or end position sensing. They are suitable for applications with extreme conditions and are resistant to dirt, rain, water, salt and high pressure steam used to clean trucks. To cope with such conditions the valve is made of brass and completely closed, to prevent water ingress. All the non-connected ports are equipped with check valves which prevents water and dirt from entering the valve.

3/2-way valve DSA 107-GR-SU
5/2-way valve VA 107-GR-SU

3050600
3050700



Pictogram

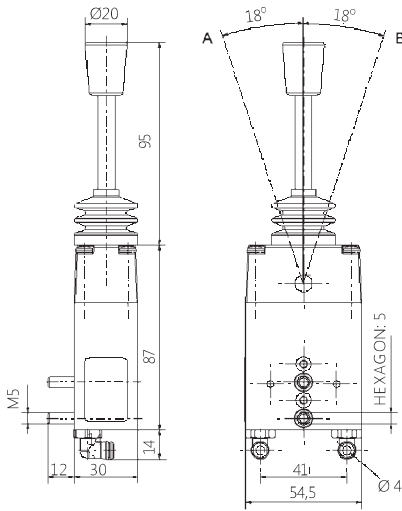
For a better recognition of control signals and movement of each module a set of pictogram can be ordered. Pictogram can be easily assembled into the lever or push-button

Pictogram set

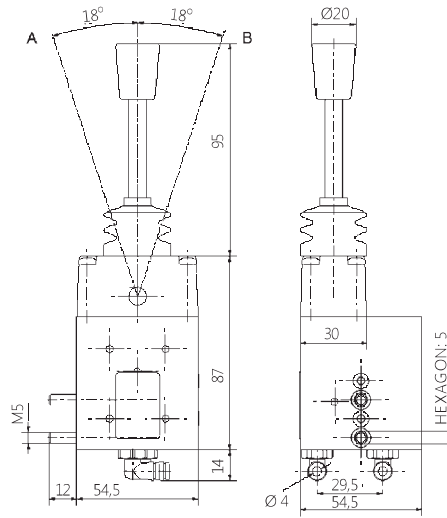
3511500

Dimensions

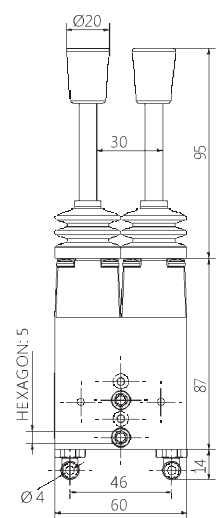
Servo H... in line



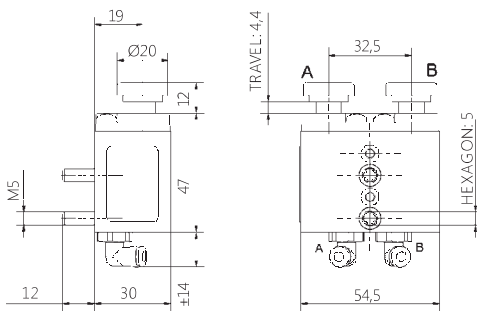
Servo H... 90° rotated



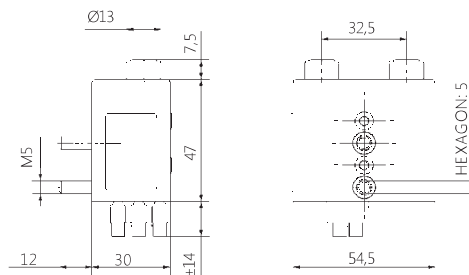
Servo double



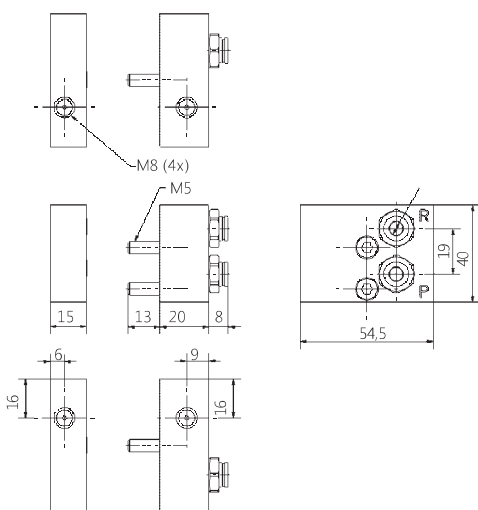
Valve H...



EML-24-GR



CFH6



Example Servo H:

Pre-assembled complete set

- 1 x CFH6
- 1 x EML-24-GR
- 1 x Servo H1-0-4
- 2 x valve H1-4
- 1 x valve H2-4

