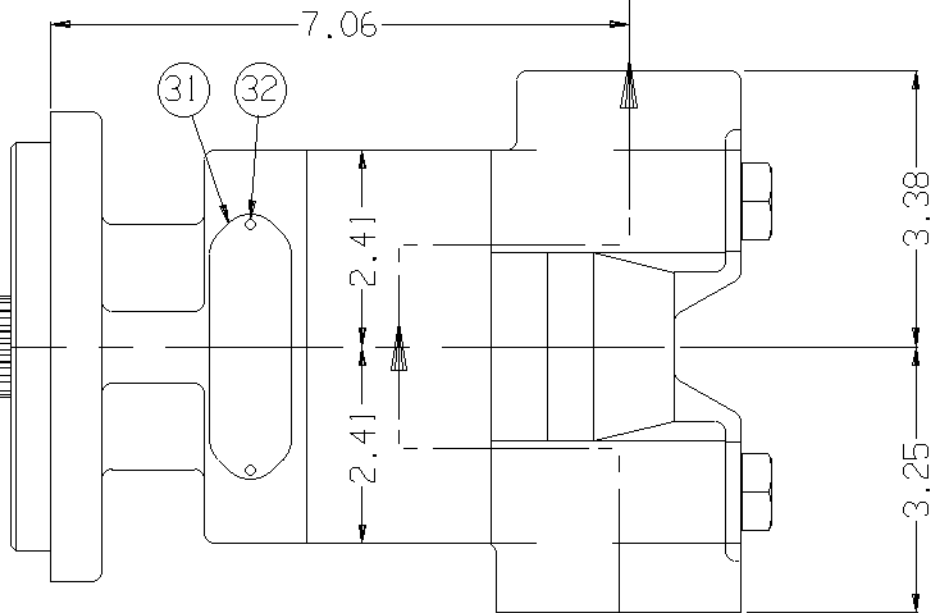


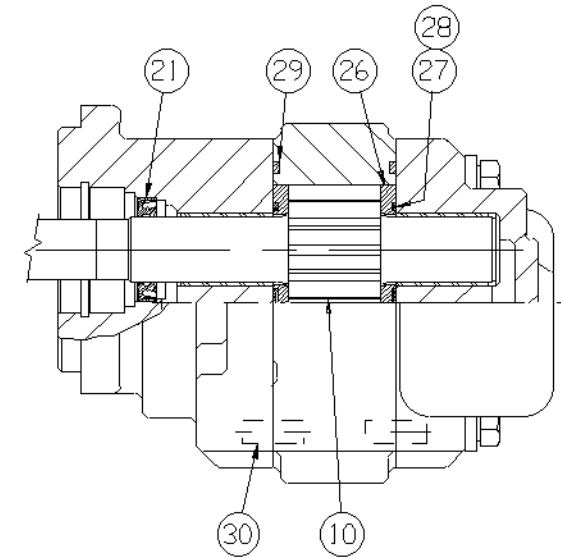
SAE INVOLUTE SPLINE
12/24 PITCH - 14 TEETH
FLAT ROOT SIDE FIT
MAJOR DIA. 1.223-1.228
MINOR DIA. 1.0627 MAX.

.09x45°
CHAM.

1 5/16-12
STR. THD. FOR
1" O.D. TUBE



2" SPLIT FLANGE
1/2-13 UNC-2B THD.
1.06 DEEP x 4 HOLES



NOTE

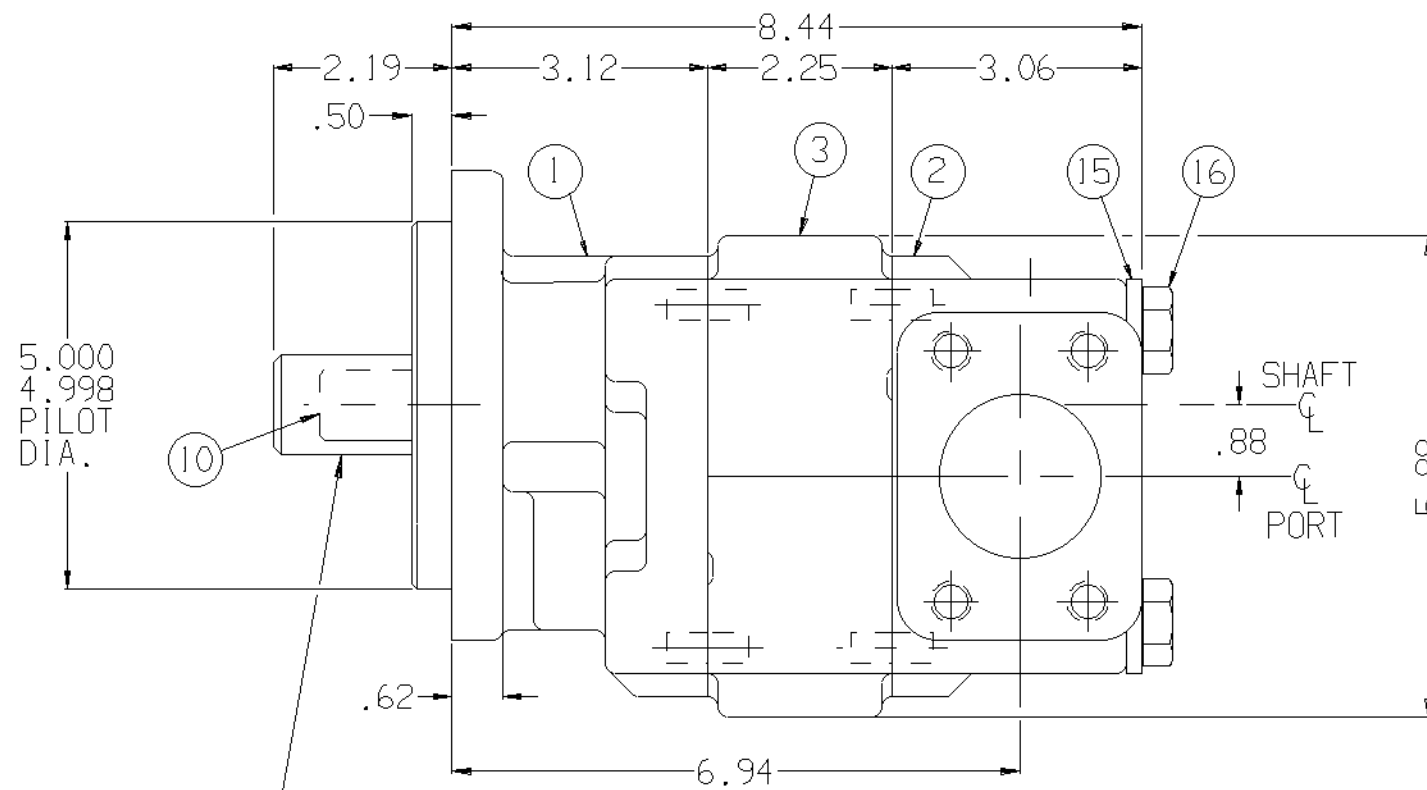
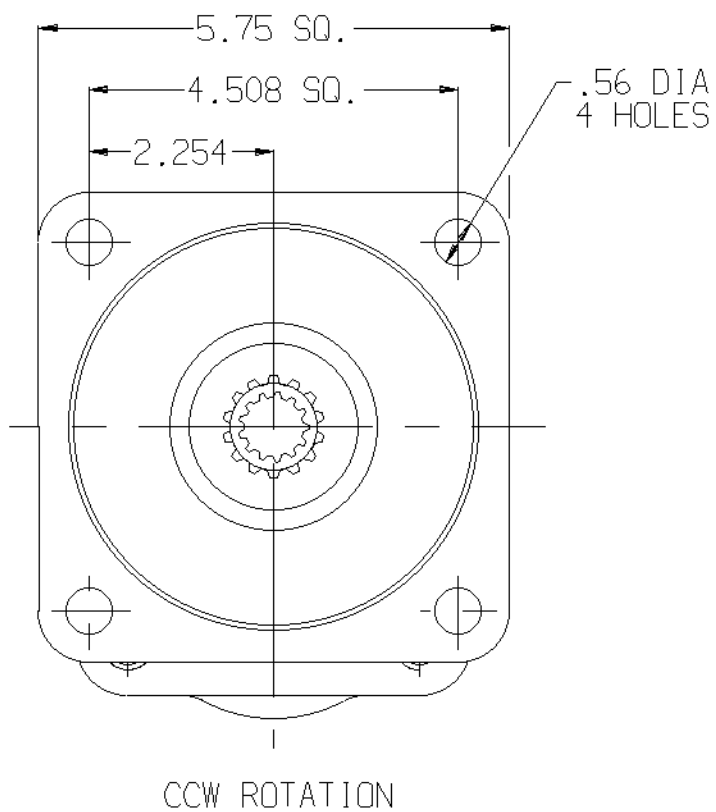
FOR ASSEMBLY INSTRUCTIONS SEE DWG. "330-B1"
"P330 ASSEMBLY INSTRUCTIONS."

29	391 2884 050	2	SEAL, SQ-R	38			
28	391 2883 167	2	SEAL, BK-UP	37			
27	391 2883 166	2	SEAL, CHAN	36			
26	391 2185 056	2	THRPL	35			
25				34			
24				33			
23				32	391 1432 004	2	SCREW, DRIVE
22				31	391 2181 999	1	NAME PLATE
21	391 2883 058	1	LIP SEAL	30	391 2082 032	4	PIN, DWEL
ITEM	PART NO	REQD	DESCRIPTION	ITEM	PART NO	REQD	DESCRIPTION

BOM COMPONENT - PGP330-1GR-SGLROT

BOM COMPONENT

20	SEE ABOVE	1	BOM COMPONENT
19	391 3384 505	1	ADAPTER, SPLINE
18			
17			
16	391 1401 090	4	CAPSCREW
15	391 3784 028	4	WASHER
14			
13			
12			
11			
10	324 2917 130	1	SET, GEAR SHAFT
9			
8			
7			
6			
5			
4			
3	324 8117 100	1	HOUSING, GEAR
2	324 3112 943	1	HOUSING, PEC
1	324 5133 202	1	HOUSING, SEC
ITEM	PART NO	REQ'D	DESCRIPTION



ATTENTION:

INSTALL SPLINE ADAPTER
COUPLING, ITEM #19, ON
GEAR SHAFT, ITEM #10,
BEFORE SHIPPING

THIS DOCUMENT CONTAINS INFORMATION THAT IS CONFIDENTIAL AND PROPRIETARY TO PARKER-HANNIFIN CORPORATION ("PARKER"). THIS DOCUMENT IS FURNISHED ON THE UNDERSTANDING THAT THE DOCUMENT AND THE INFORMATION IT CONTAINS WILL NOT BE COPIED OR DISCLOSED TO OTHERS OR USED FOR ANY PURPOSE OTHER THAN CONDUCTING BUSINESS WITH PARKER, AND WILL BE RETURNED AND ALL FURTHER USE DISCONTINUED UPON REQUEST BY PARKER. ALL RIGHTS RESERVED.

PGP330A278**AB17-7*



PARKER-HANNIFIN CORP.
GEAR PUMP DIVISION
YOUNGSTOWN, OH 44501
USA

ADM
CTR P
REV
DTE 000000

ALL DIMENSIONS ARE INCH

DR. BY DATE CH. BY DATE SCALE
RH 080201 TLE 080201 1/2

324 9110 399

© 2001 PARKER-HANNIFIN CORPORATION

EXP NO.

FIRST USED
01-07-451

324 9110 399

SYM.

REVISIONS