



**DE-CVB Direct Acting Check Valve, Ball**

**DESCRIPTION**

10 size, 7/8-14 thread, "Delta" series, direct acting, check valve.

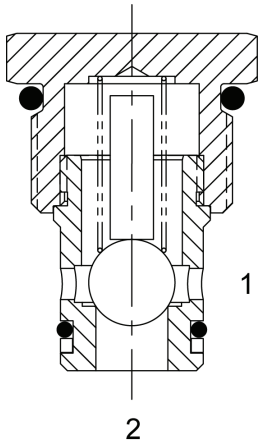
**OPERATION**

The DE-CVB allows free flow passage from (2) to (1), and blocks flow from (1) to (2).

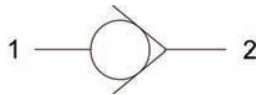
The cartridge has a hardened ball, which is spring-biased closed, until sufficient pressure is applied at (2) to open to (1).

**FEATURES**

- Hardened seat for long life and low leakage.
- Optional bias springs for backpressure application flexibility.
- Industry common cavity.

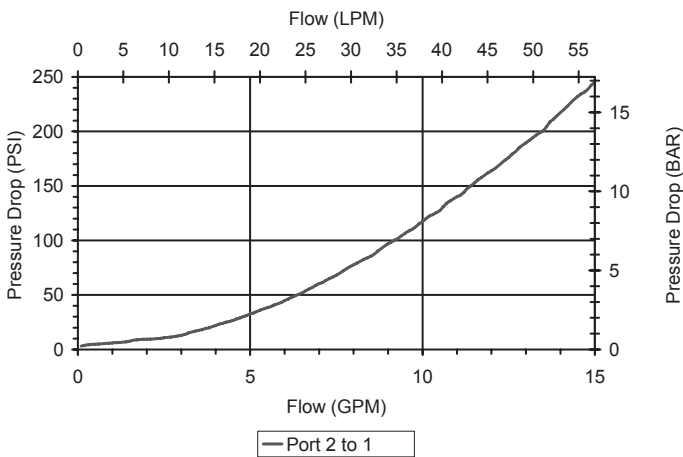


**HYDRAULIC SYMBOL**



**PERFORMANCE**

Actual Test Data (Cartridge Only)



**VALVE SPECIFICATIONS**

Nominal Flow	10 GPM (38 LPM)
Rated Operating Pressure	3500 PSI (241 bar)
Typical Internal Leakage (150 SSU)	0-5 drops/min
Viscosity Range	36 to 3000 SSU (3 to 647 cSt)
Filtration	ISO 18/16/13
Media Operating Temperature Range	-40° to 250° F (-40° to 120° C)
Weight	.14 lbs. (.06 kg)
Operating Fluid Media	General Purpose Hydraulic Fluid
Cartridge Torque Requirements	30 ft-lbs (40.6 Nm)
Cavity	<a href="#">DELTA 2W</a>
Cavity Form Tool (Finishing)	40500000
Seal Kit	21191000

**WARNING:** The specifications/application data shown in our catalogs and data sheets are intended only as a general guide for the product described (herein). Any specific application should not be undertaken without independent study, evaluation, and testing for suitability.

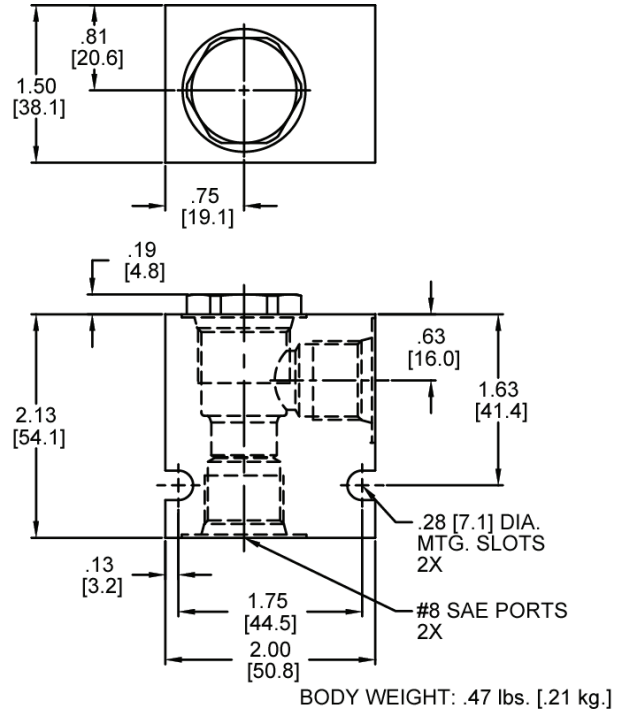
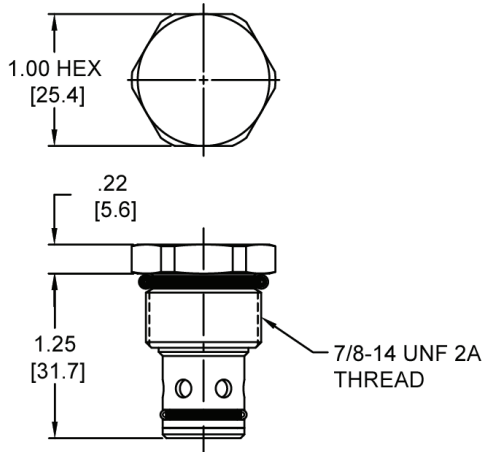
Phone: (815) 397-6628

Fax: (815) 397-2526

E-mail: [delta@delta-power.com](mailto:delta@delta-power.com)



**DIMENSIONS**



**ORDERING INFORMATION**

DE-CVB - - - -

**OPTIONS**  
 Buna Standard 00  
 Viton Standard V0

Blank  
 N  
 S

**BODIES**  
 Without Body  
 3/8 NPTF Ports  
 #8 SAE Ports

**CRACK PRESSURE**  
 0005 05 PSI  
 0015 15 PSI  
 ± 10%

**WARNING:** The specifications/application data shown in our catalogs and data sheets are intended only as a general guide for the product described (herein). Any specific application should not be undertaken without independent study, evaluation, and testing for suitability.

Phone: (815) 397-6628

Fax: (815) 397-2526

E-mail: [delta@delta-power.com](mailto:delta@delta-power.com)