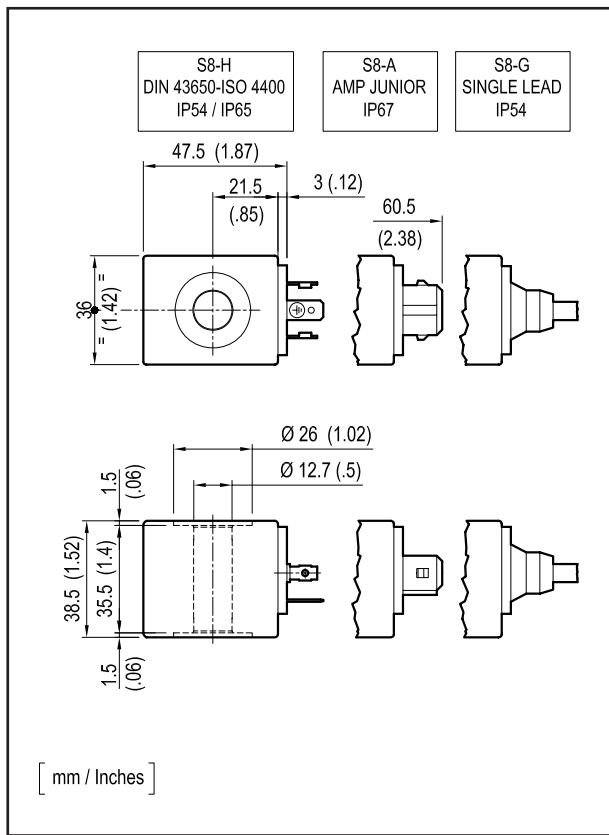


COIL S8-356 - CLASS F

OD.02.16 - X - Y - Z



TECHNICAL DATA

Weight: 0.18 kg (0.40 lbs)

Encapsulating material: NYLON 6

Heat insulation Class F: 155°C (311°F)

Ambient temperature range: -20/+50°C (-68/+122°F)

Inlet voltage fluctuations must not exceed ±10% of nominal voltage to obtain correct operation and long life coils.

X	Y	Connections	Circuit	Voltage
01	30	DIN 43650 - ISO 4400	Standard	DC only
02	03	DOUBLE LEAD	Standard	DC only **
07	30	AMP JUNIOR	Standard	DC only
0G	03	SINGLE LEAD	Standard	DC only *
14	30	DIN 43650 - ISO 4400	Bidirectional Diode	DC only
15	30	AMP JUNIOR	Bidirectional Diode	DC only

* Length 300mm (11.8 inches). Ext. diameter 6.3mm (0.25 inches). External and internal Sheath Silicone rubber.

** Length 300mm (11.8 inches). Ext. diameter 2.4mm (0.10 inches). External and internal Sheath PVC HT105

Z	Voltage V	Resistance Ohm (±7%)	Power W	Current A		ΔT °C (°F)
	Nominal	Ta = 20-25°C (68-77°F)	Cold coil	Cold coil	Hot coil	1 hour energized at Ta=20-25°C (68-77°F) Nominal voltage
OB	12 DC	7.4	20	1.62	1.19	105-110 (221-230)
OC	24 DC	28.5	20	0.85	0.61	

Available on request: different voltages, different connectors mounted on single lead (see cards CNT_01 / CNT_02)

These coils have passed the THERMAL SHOCK DUNK TEST

Note: for general information see "Section 7 - Technical Data"