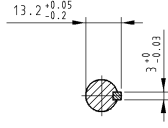
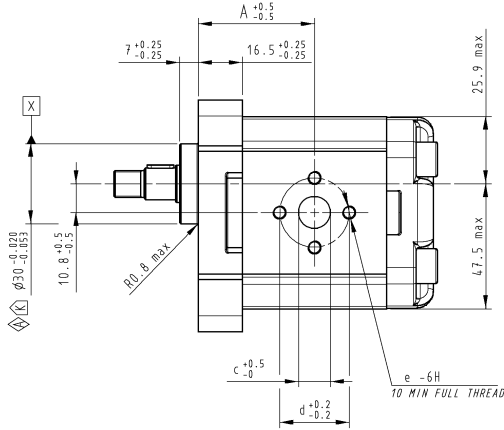
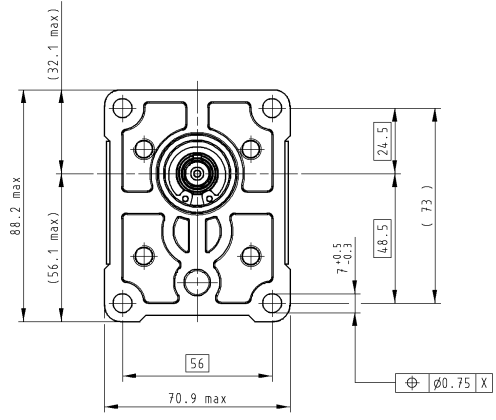
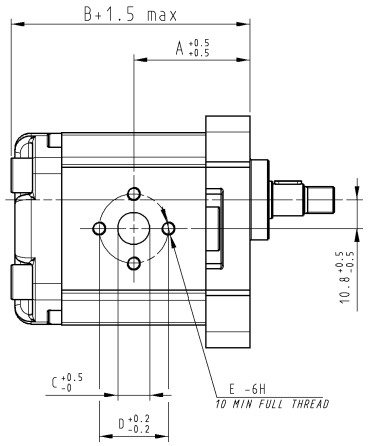
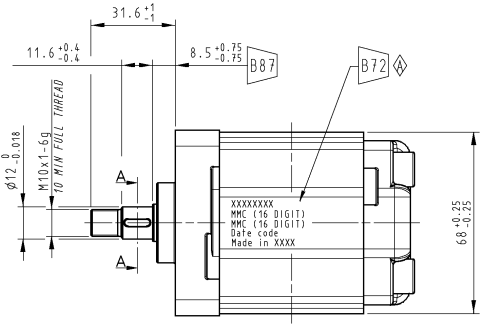
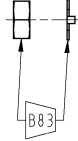


SYSTEM SPECIFICATIONS:
 -Hydraulic fluid per DIN 51524 part 2 (HLP) and part 3 (HVLP).
 -Recommended operating viscosity 12 to 60 cSt; max 1600 at cold start.
 -Fluid temperature : 80 °C max continuous ; 90 °C max peak ; -20 °C min at cold start
 -Recommended cleanliness level : 18/13 per UNI ISO 4406 . Recommended filtration B15-25 >75 per ISO 4572)
 -Drain line pressure : 5 bar (8 peak) ; Operating as a pump : max inlet vacuum 0,3 bar

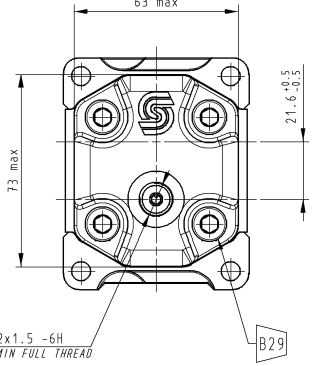
NOTES
 -peak pressure is intended as the maximum relief valve overshoot



SECTION A-A



NO	NOTE UNLESS OTHERWISE SPECIFIED
A06	ALL DIMENSIONS ARE METRIC (MILLIMETERS)
B29	INSTALL NOTED SCREW WITH 29-35 NM TORQUE
B72	PRODUCT IDENTIFICATION AND MANUFACTURING DATE CODES
B73	UNIT SHOWN
B83	NUT AND WASHER SUPPLIED WITH PRODUCT
B87	DIMENSION FROM FLANGE TO SHOULDER ON DRIVESHAFT.
C20	PRODUCTION TEST AS PER INTERNAL SPEC. AOST RELATED WITH THE PRODUCT PN



B73

BIDIRECTIONAL MOTOR										IN PARALLEL			IN SERIES			
MARKET CODE	PART NUMBER	A	B	PORT			PORT			DISPLACEMENT (cc/rev)	MAXIMUM SPEED (rev/min)	PEAK PRESSURE (bar)	RATED PRESSURE (bar)	MIN SPEED AT RATED PRESSURE (rev/min)	MAX. INLET PRESSURE (bar)	MAX. BACK PRESSURE (bar)
				C	D	E	c	d	e							
SKM1NN/2,6BN02FAM1C2C2NNNN/NNNN	121.12.073.00	40.5	83.5	12	26	M5	12	26	M5	2.62	4000	270	250	1000	250	250
SKM1NN/3,2BN02FAM1C2C2NNNN/NNNN	121.12.074.00	41.5	85.5	12	26	M5	12	26	M5	3.14	4000	270	250	1000	250	250
SKM1NN/3,8BN02FAM1C2C2NNNN/NNNN	121.12.075.00	42.5	87.5	12	26	M5	12	26	M5	3.66	3000	270	250	1000	250	250
SKM1NN/4,3BN02FAM1C2C2NNNN/NNNN	121.12.076.00	43.5	89.5	12	26	M5	12	26	M5	4.19	3000	270	250	800	250	250
SKM1NN/6,0BN02FAM1C2C2NNNN/NNNN	121.12.077.00	46.75	96	12	26	M5	12	26	M5	5.89	2000	250	230	800	230	230
SKM1NN/7,8BN02FAM1C2C2NNNN/NNNN	121.12.078.00	50	102.5	12	26	M5	12	26	M5	7.59	2000	220	200	800	220	200

CUSTOMER IMPORTANCE TABLE			
#	Pp/Cp	Ppk/Cpk	DPM
CRITICAL	≥2	≥1.5	≤3.4
KEY	≥1.83	≥1.33	≤32
ALL OTHERS	≥1	≥1	≤2700

DOC NO		DATE		NAME	
A	SPRODS	15-JULY-08	Jacobson	RAW PART NO	SIZE
REV	ASB	DATE	NAME	ENGINEER	A1

THE REPRODUCTION, DISTRIBUTION AND UTILIZATION OF THIS DOCUMENT AS WELL AS THE COMMUNICATION OF ITS CONTENTS TO OTHERS WITHOUT EXPRESS AUTHORIZATION IS PROHIBITED. OFFENDERS WILL BE HELD LIABLE FOR THE PAYMENT OF DAMAGES. ALL RIGHTS RESERVED IN THE EVENT OF THE GRANT OF A PATENT. UTILIFY MODEL OF DESIGN. 1 PER ISO 16760-1.

SAUER DANFOSS

SCALE 1:1
SHEET 1 OF 1

DWG NO 1M.YXXX102
REV A

TITLE INST. GEAR MOTOR GR1 BIDIRECT FIXED DISPL.

