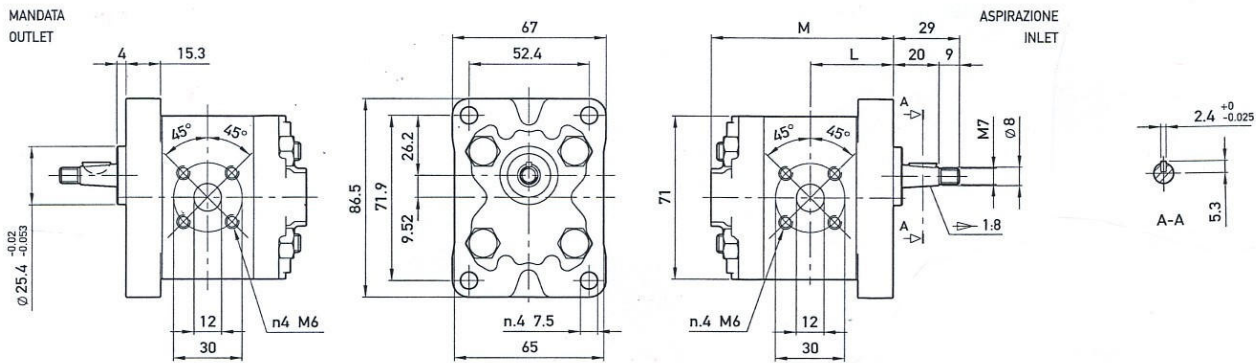
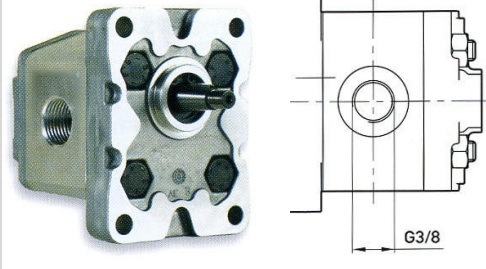
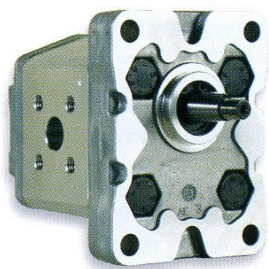


Serie 1TK BC / 1TK FG / 1TK ME FG / 1TK ME



BC

FG



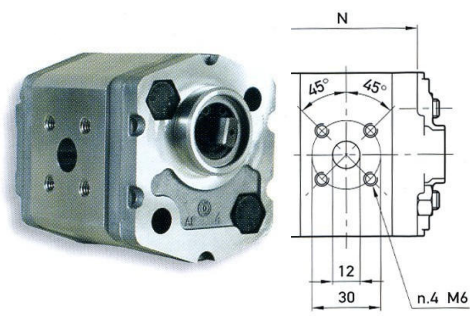
ALBERO CONICO FORATURA QUADRATO

ALBERO CONICO FORATURA GAS 3/8

| | | CILINDRATA DISPLACEMENT | | | |
|-----|-----|---------------------------------|-----|-----|--|
| S | D | Cm/ giro (Cm ³ /rev) | S | D | |
| 203 | 204 | 1.1 | 225 | 226 | |
| 205 | 206 | 1.3 | 227 | 228 | |
| 207 | 208 | 1.6 | 229 | 230 | |
| 209 | 210 | 2.1 | 231 | 232 | |
| 211 | 212 | 2.7 | 233 | 234 | |
| 213 | 214 | 3.2 | 235 | 236 | |
| 215 | 216 | 3.7 | 237 | 238 | |
| 217 | 218 | 4.2 | 239 | 240 | |
| 269 | 270 | 4.8 | 241 | 242 | |
| 219 | 220 | 5.8 | 243 | 244 | |
| 251 | 252 | 8.0 | 245 | 246 | |

ME-FG

ME



ALBERO FRESATO FORATURA GAS

ALBERO FRESATO FORATURA QUADRATO

| | | CILINDRATA DISPLACEMENT | | | |
|-----|-----|---------------------------------|-----|-----|--|
| S | D | Cm/ giro (Cm ³ /rev) | S | D | |
| 155 | 156 | 1.1 | 141 | 142 | |
| 173 | 174 | 1.3 | 153 | 154 | |
| 157 | 158 | 1.6 | 149 | 148 | |
| 159 | 160 | 2.1 | 135 | 136 | |
| 161 | 162 | 2.7 | 145 | 146 | |
| 163 | 164 | 3.2 | 143 | 144 | |
| 165 | 166 | 3.7 | 131 | 132 | |
| 167 | 168 | 4.2 | 133 | 134 | |
| 175 | 176 | 4.8 | 137 | 138 | |
| 169 | 170 | 5.8 | 139 | 140 | |
| 171 | 172 | 8.0 | 151 | 152 | |

