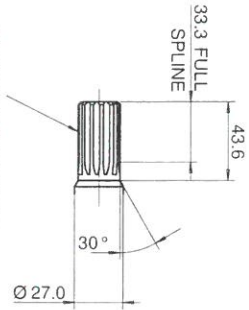


CODICE			Articolo pompa N°		DIMENSIONI				PRESS. MAX. P2	MASSA (Kg)	NOTE
SERIE	CM³	CONFIG.	Rotazione		A	B	(IN) C	(OUT) D	BAR		
			SX	DX							
3TK	22,5	SAE B	3735	3736	62	129,7					9,5
3TK	28	SAE B	3739	3740	64	134,7					9,7
3TK	32	SAE B	3743	3744	65,5	138,2					9,9
3TK	38	SAE B	3747	3748	67,5	143,7					10,2
3TK	45	SAE B	3751	3752	70,5	150,2					10,4
3TK	56	SAE B	3755	3756	78,2	161,2					10,9

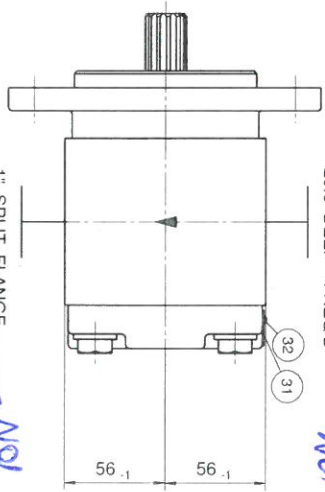
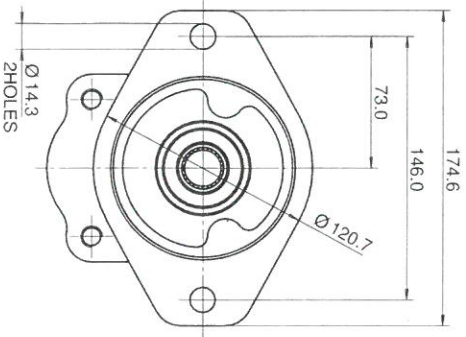
us. corrispondente 3TK 38 D SAE 213 CS
IL CORPO POMPA È UN GRUPPO 3 - IL VOSTRO 2,5.

CORRISPONDE TUTTO (STESSE QUOTE) DIFFERISCE SOLO 144-130
E. 230,00 E LE VITI DEI RACCORDI NOI 8 FORI CON M10.

PUMP DATA	
DISPLACEMENT	38.0 ccm
MAX. PRESSURE	250 bar
SPEED RATE	500 TO 3000 min ⁻¹
MAX. INPUT SHAFT TORQUE	345 Nm
ROTATION	CLOCKWISE



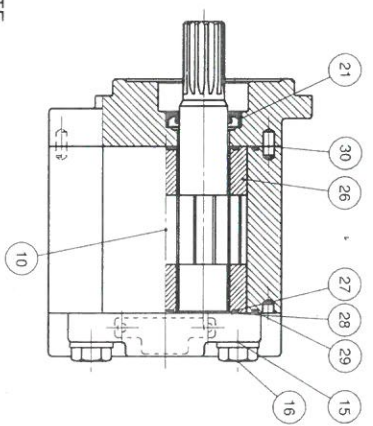
SAE INVOLUTE SPLINE
13 TEETH - 16/32 PITCH
FLAT ROOT SIDE FIT
MAJOR DIA 21.67-21.79
MINOR DIA 18.631 MAX.



1 1/4" SPLIT FLANGE
7/16" - 14 UNC - 2B
20.6 DEEP - 4 RECD

1" SPLIT FLANGE
3/8" - 16 UNC - 2B
20.6 DEEP - 4 RECD

4 VIT- M10
NO1 IN
M10



NOTE

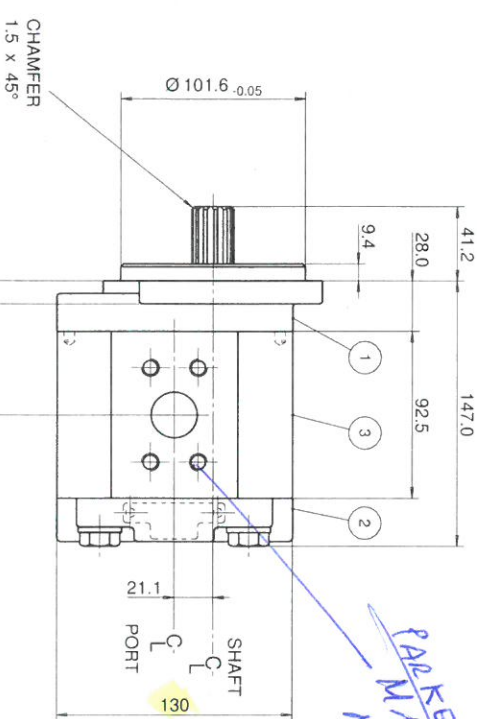
FOR ASSEMBLY INSTRUCTIONS SEE DWG. NO. "517-B1"
"PGP517 PUMP ASSEMBLY INSTRUCTIONS"

WIEGAND

PARKER LINC
NO1

M10
PARKER LINC

M10



UNIT COMPLETELY TO BE PAINTED EXCEPT:

PORTS
SEAL FACES
NAMEPLATE
COLOUR: BLACK (RAL 9005) SEE ZSS - A1

PGP517A0380CD1H3NN4N3B1B1

ITEM	PART NO	RECD	DESCRIPTION
20	SEE ABOVE		BOM COMPONENT
19			
18			
17	391 1401 556	4	CAPSCREW (130 MM)
16	391 3782 232	4	WASHER
15			
14			
13			
12			
11	333 2938 340	1	SET, GEAR SHAFT
9			
8			
7			
6			
5			
4	333 8138 228	1	HOUSING, GEAR
3	333 3000 100	1	HOUSING, PEC
2	333 5020 203	1	HOUSING, SEC
1			

Parker Pump & Motor Division
Chernitz

THIRD ANGLE PROJECTION
EXP NO
FIRST USED
03 - 01 - 99924
333 9111 467

A PAINT ADDED
20FEB07 RZ 07-02-935

MATERIAL
HE STD
WT 8.9 KG

ADP P
CTR
REV 20FEB07
DTE

DR BY DATE
PG 03FEB03
333 9111 467
CH BY DATE
UH 03FEB03
SCALE
1/2
© 2007 Parker Hannifin Corporation